

Installation Instructions

Vanity with Optional Legs

Record your model number:
Noter le numéro de modèle:
Anoté su número de modelo: _____

Français, page 9
Español, página 16

KOHLER[®]

Thank You for Choosing KOHLER

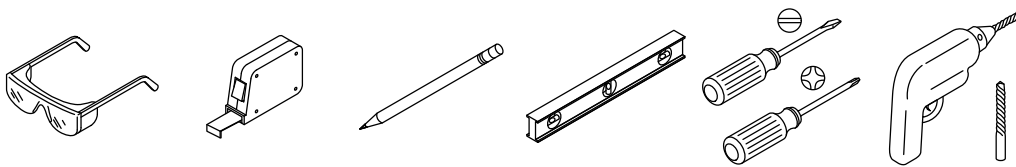
Need help? Contact our Customer Care Center.

- USA/Canada: 1-800-4KOHLER (1-800-456-4537) Mexico: 001-800-456-4537
- Service parts: kohler.com/serviceparts
- Care and cleaning: kohler.com/clean
- Patents: kohlercompany.com/patents

Warranty

This product is covered under the KOHLER® One-Year Limited Warranty, found at kohler.com/warranty. For a hardcopy of warranty terms, contact the Customer Care Center.


Tools and Materials





Plus: (Optional Some Installations)

- 2x8s
- Stud Finder
- Framing and Framing Fasteners
- Drywall and Drywall Tools

Before You Begin

 **CAUTION: Risk of product damage.** Do not modify the vanity. Doing so will compromise structural stability.

 **CAUTION: Risk of personal injury or property damage.** Select 500 lb (227 kg) load-bearing 5/16" lag bolts with a length to clear obstacles in the wall and 5/16" washers. Calculate the proper lag bolt length by adding the following: 1-1/2" (38 mm) backing material, plus the wallboard thickness, plus the back rail thickness.

 **CAUTION: Risk of property damage.** To properly support the weight of the vanity and vanity top/sink, secure to stud framing or 2x8 support behind the finished wall.

NOTICE: Siliconized acrylic caulk must be used to secure a sink or countertop to the vanity. Do not use 100% silicone sealant, which will damage the finish of the vanity.

Follow all local plumbing and building codes.

Your product may appear different from the one illustrated. The installation procedure is the same.

Two people should perform this installation.

To ease installation, remove drawers from the vanity before beginning. Refer to the section in this Installation Instructions for proper removal.

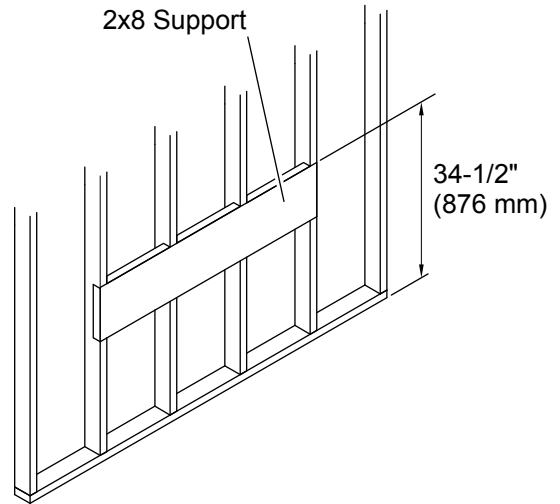
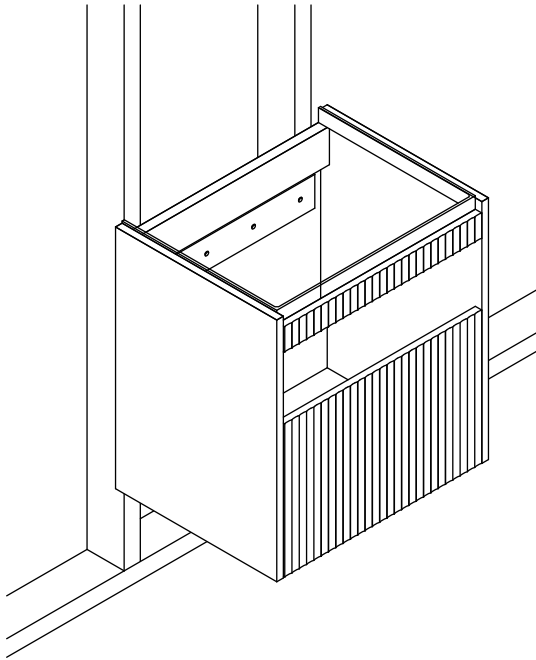
IMPORTANT HEALTH NOTICE

Some of the building materials used in this home (or these building materials) emit formaldehyde. Eye, nose, and throat irritation, headache, nausea and a variety of asthma-like symptoms, including shortness of breath, have been reported as a result of formaldehyde exposure. Elderly persons and young children, as well as anyone with a history of asthma, allergies, or lung problems, may be at greater risk. Research is continuing on the possible long-term effects of exposure to formaldehyde.

Reduced ventilation may allow formaldehyde and other contaminants to accumulate in the indoor air. High indoor temperatures and humidity raise formaldehyde levels. When a home is to be located in areas subject to extreme summer temperatures, an air-conditioning system can be used to control indoor temperature levels. Other means of controlled mechanical ventilation can be used to reduce levels of formaldehyde and other indoor air contaminants.

If you have any questions regarding the health effects of formaldehyde, consult your doctor or local health department.

1. Prepare the Site

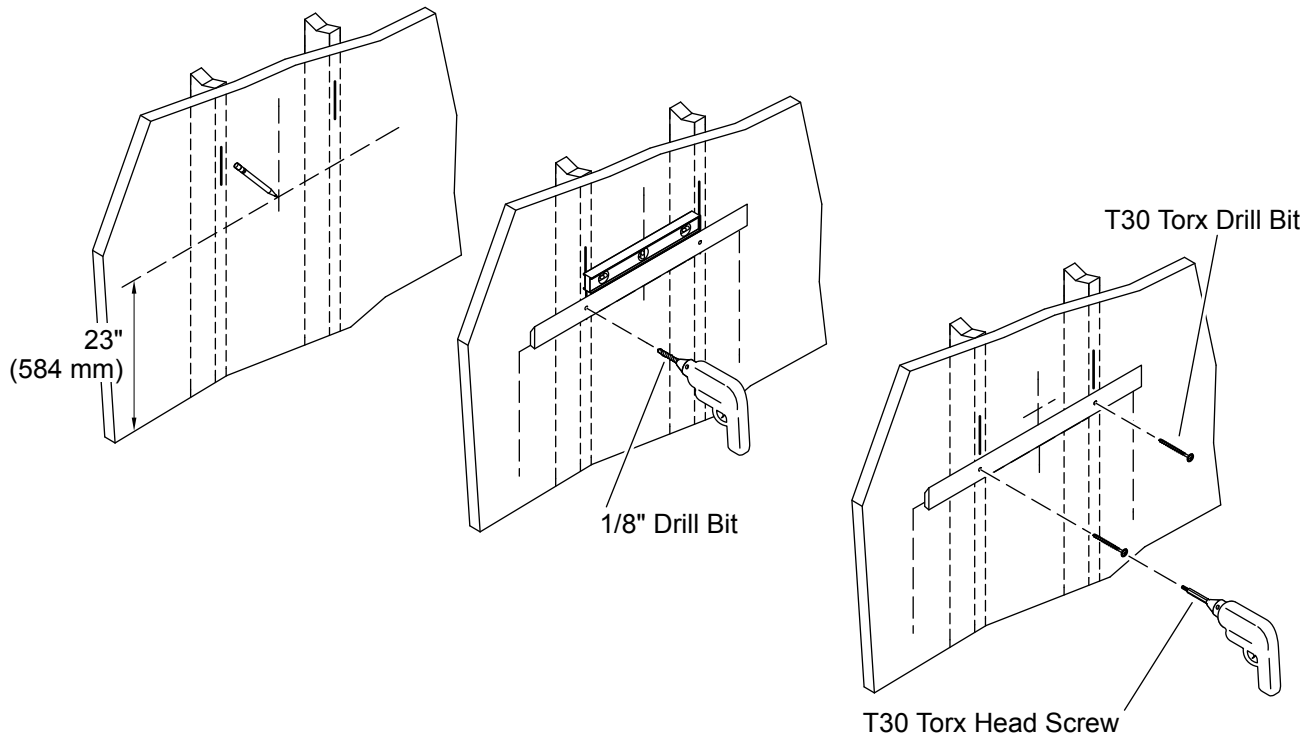


⚠ CAUTION: Risk of property damage. To properly support the weight of the vanity and vanity top/sink, secure to stud framing or 2x8 support behind the finished wall.

NOTICE: To verify proper support and alignment: The finished wall must be straight and plumb. The floor must be flat and perpendicular to the finished wall.

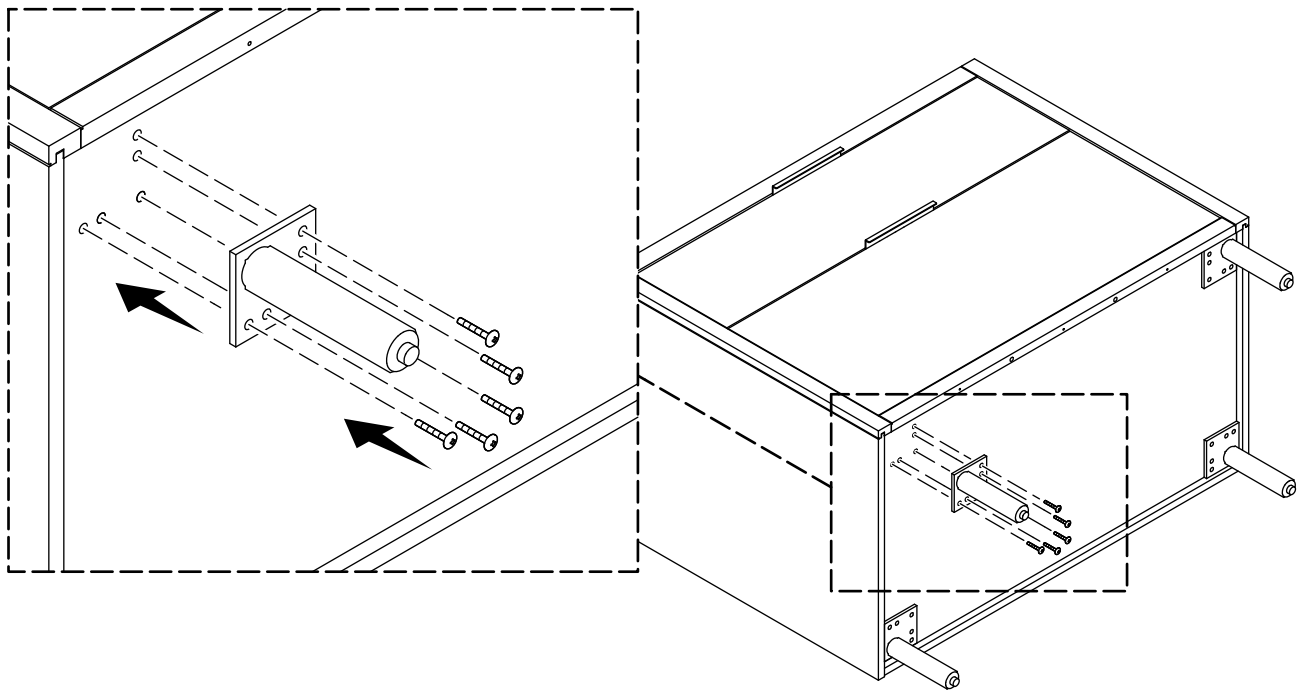
- Install the vanity to all studs behind the wall, spaced 16" (406 mm) apart. A stud must be located a maximum of 3" (76 mm) from each side of the vanity. A distance greater than 3" (76 mm) requires 2x8 support to be installed behind the finished wall.
- Plan for routing supply and drain piping for your desired sink installation.
- Complete the finished wall.

2. Install the Hanger



- Mark the centerline of the vanity.
- Draw a horizontal line 23" (584 mm) from the floor.
- Align the bottom of the hanger with the horizontal line. Verify that the hanger is level.
- While holding the hanger in place, drill 1/8" (3 mm) pilot holes through the hanger and into the wall studs or support behind the finished wall.
- Secure the hanger with the provided T30 torx-head screws using the provided T30 torx-head drill bit.

3. Install the Optional Decorative Legs

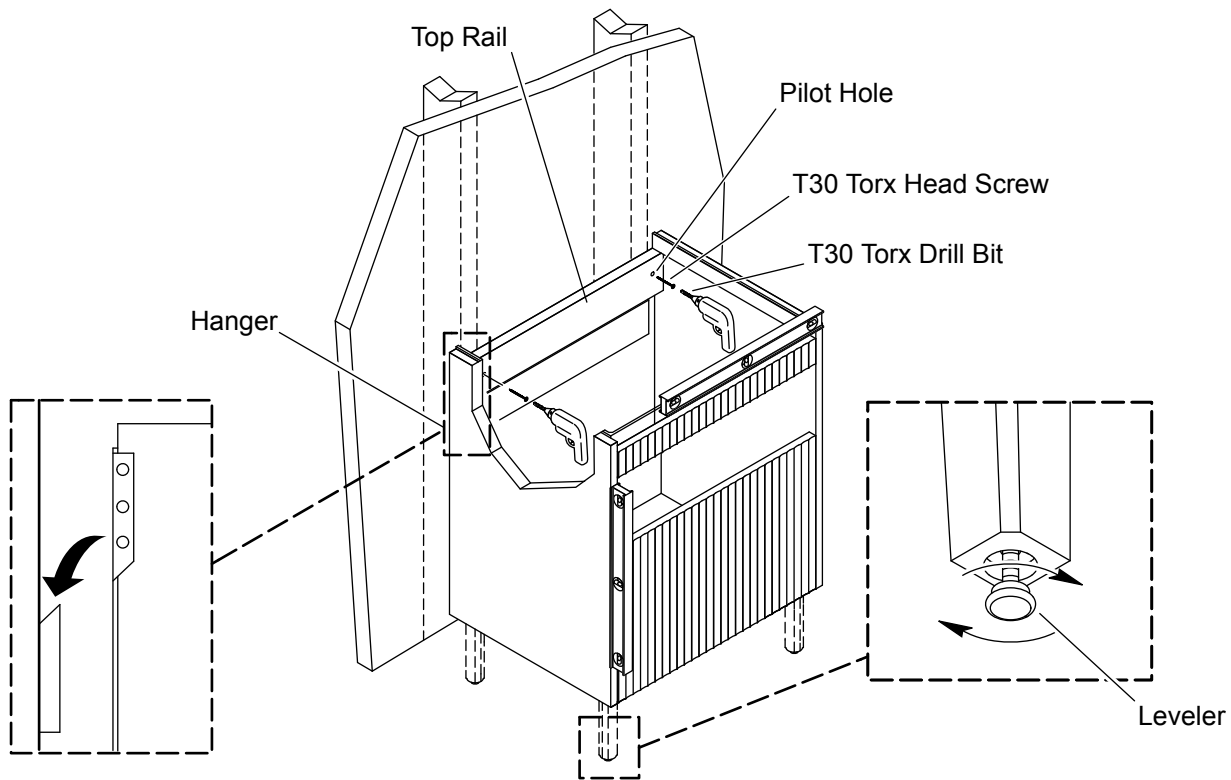


⚠ CAUTION: Risk of property damage. Do not support the vanity on the optional decorative legs. Doing so can cause the vanity to tip and damage the vanity.

IMPORTANT! Perform this procedure with two people.

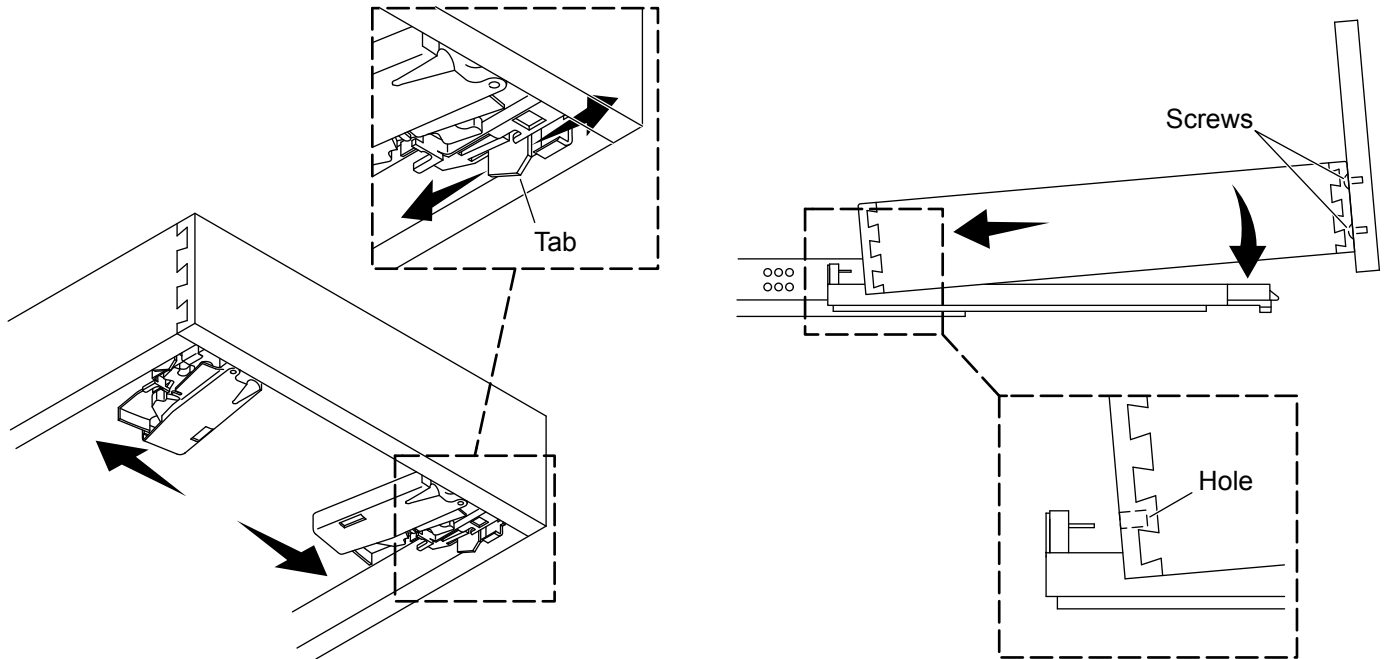
- Lay the vanity on its back on a flat, padded surface.
- Position the legs on the bottom of the cabinet so that the fastener holes line up.
- Loosely attach the legs with the panhead screws (provided).
- Verify that the legs are flush with the vanity edges.
- Securely tighten the panhead screws.
- The vanity is now ready to hang on the wall. **Do not stand the vanity upright on the optional decorative legs.**

4. Secure the Vanity



- With assistance, lift and position the vanity onto the hanger.
- Verify that the vanity is level and plumb against the wall.
- The vanity must be secured to all wall studs or the 2x8 support in the top rail of the vanity.
- From inside the vanity, drill 1/8" (3 mm) holes into the top rail of the vanity aligned with the wall studs.
- Using a drill with the T30 Torx drill bit (provided), secure the vanity to the wall with the T30 Torx head screws (provided).

5. Remove/Adjust the Drawer



Alignment

- To adjust the height and to level the drawer, move the tabs underneath the front corners backward or forward as needed.

Removal

- Fully extend the drawer.
- From underneath, press the release latches toward the sides of the drawer.
- Lift the front of the drawer to disengage from the rails.

Reinstallation

- Fully extend both rails.
- Rest the back of the drawer onto the rails and align the rail hooks with the drawer holes.
- Rotate the front of the drawer down onto the rails, engaging the latches with the rails.
- Push the drawer closed to fully snap the latches into the rails and insert the rail hooks into the drawer holes.
- Lightly lift the front of the drawer to verify that the drawer is fully engaged with both rails. If not engaged, repeat the "Reinstallation" procedure.