



FLEXSTEEL®

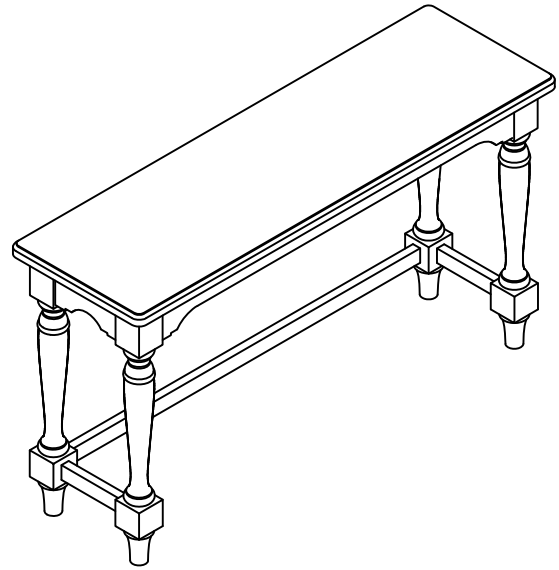
W1447-041

Sofa Table

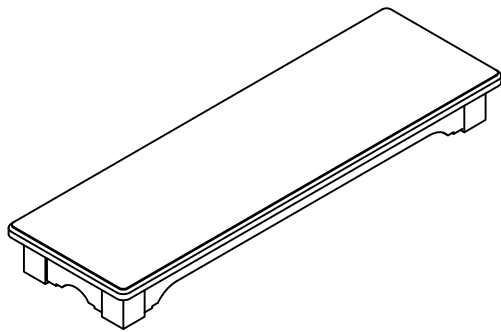
IMPORTANT NOTE

Carefully remove all the parts from the carton and put them individually on a soft cloth to prevent damage to the parts.

We have taken great care in the design of this product and request that you carefully and strictly follow our assembly instructions to ensure a completed product as it was designed.



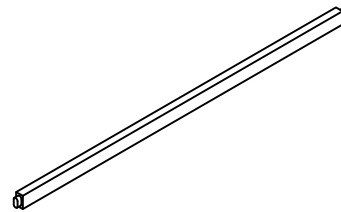
Part List



A. Top Section
1 piece



B. Leg
4 pieces

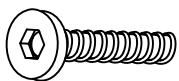


C. Back Stretcher
1 piece

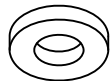


D. Side Stretcher
2 pieces

Hardware List



Short Bolt
8 pieces



Flat Washer
8 pieces



Spring Washer
8 pieces



Screw
6 pieces



Hex Key
1 piece

Tool(s) recommended for assembly: Level and Screwdriver



IMPORTANT

- You should keep Hex Key in a safe place as you may need to tighten up the bolts in the future.
- Use a soft cloth between these parts and the floor.

Note: We recommend at least two adults assemble this item.

STEP 1

Place the Top Section (A) upside-down on a soft surface and attach the Legs (B) by inserting Flat Washer, Spring Washer, Bolt and tighten using Hex Key. (See Figure 1.)

Do not fully tighten bolts until all parts are assembled

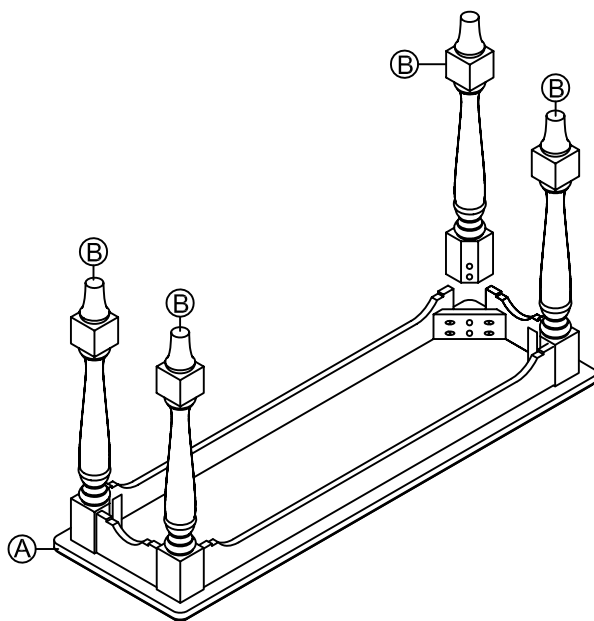
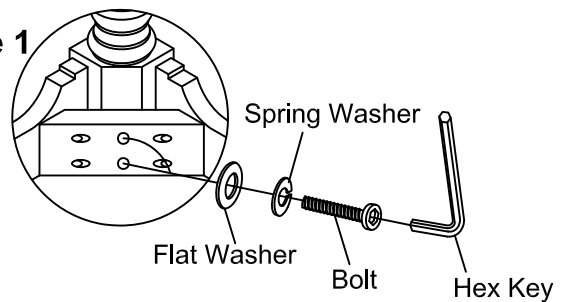


Figure 1



STEP 2

Connect the Back Stretcher (C) and Side Stretcher (D) to the Leg (B) and secure using the screws provided. (See Figure 2.)

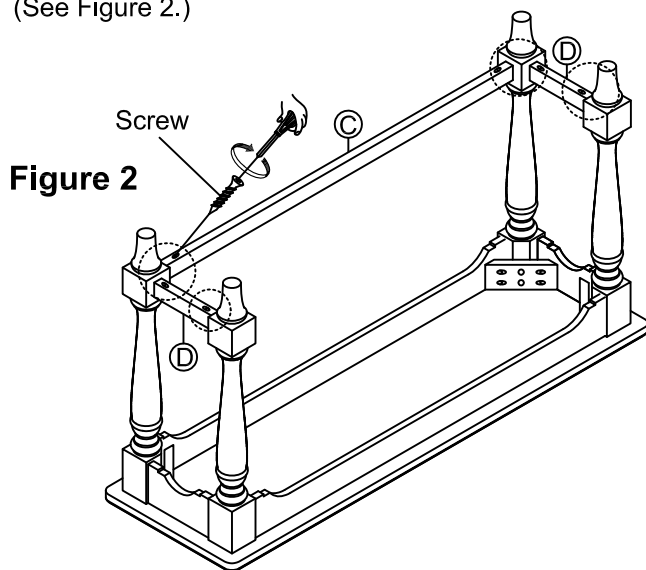


Figure 2

STEP 3

Taking care not to put any undue pressure on the feet, carefully position the table in an upright position.

Adjust the levelers on the feet until the furniture is level. (See Figure 3.)

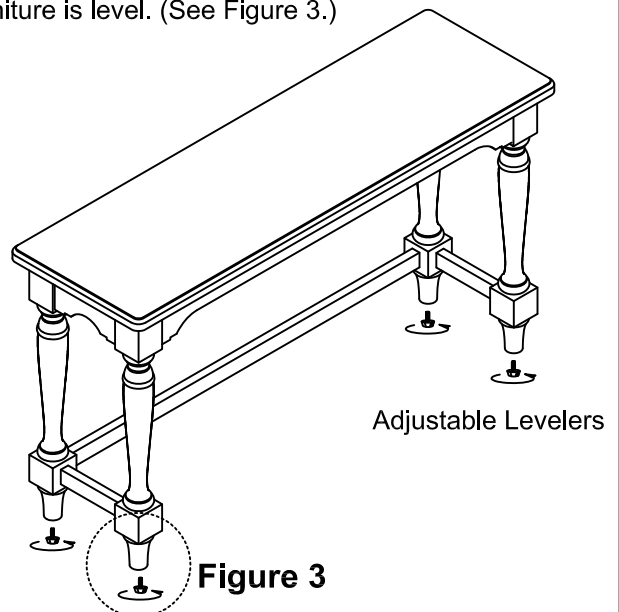


Figure 3