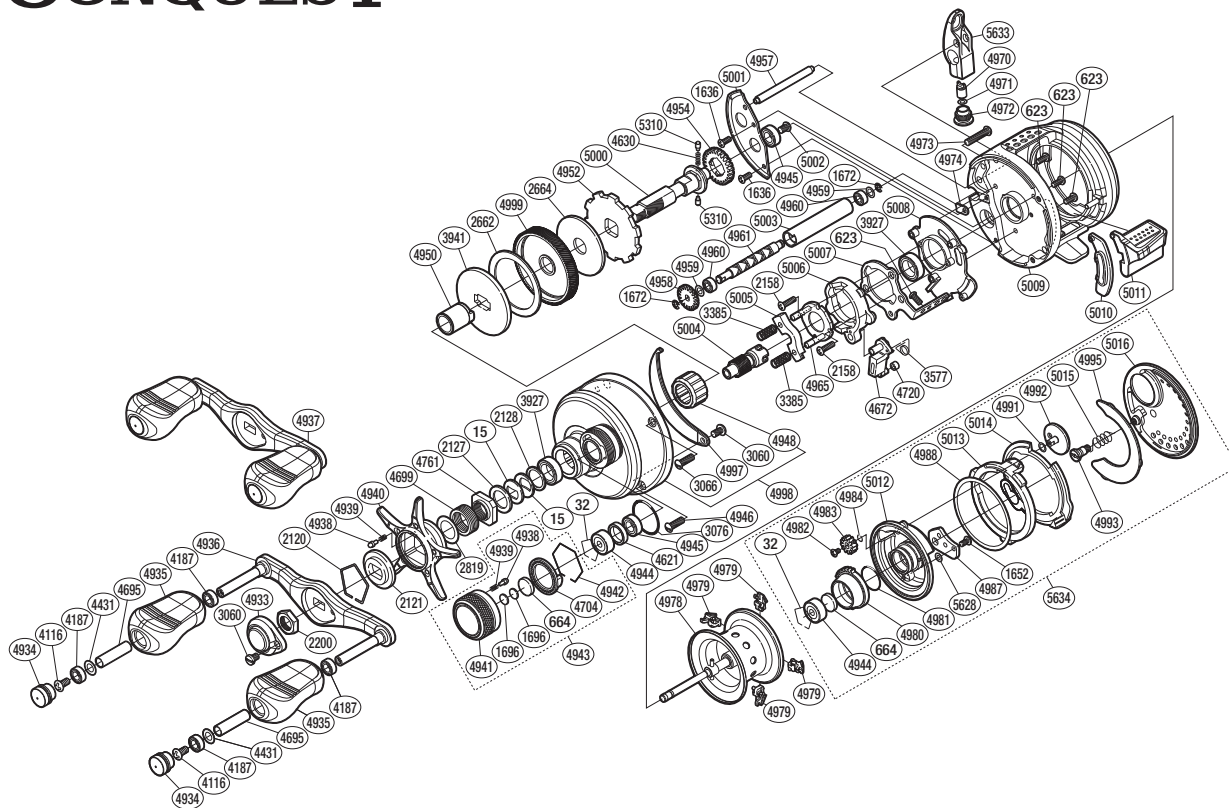


# SHIMANO

## CALCUTTA CONQUEST

S A-RB

CTCQ-101



(51RH820101U) Please note that the number of adjusting washers may not be the same as shown in the exploded views.  
(Adjustment will vary with each individual product.)

Part No.	Description	Part No.	Description	Part No.	Description
BNT0015	Drag Spring Washer	BNT4933	Handle Nut Plate	BNT4984	O Ring
BNT0032	Bearing Retainer	BNT4934	Handle Knob Seal	BNT4987	Damper Bush(A)
BNT0623	Screw	BNT4935	Handle Knob	BNT4988	Washer
BNT0664	Spacer B	BNT4936	Handle Shank Assembly	BNT4991	Washer
BNT1636	Screw	BNT4937	Handle Assembly	BNT4992	Br Dial
BNT1652	Screw	BNT4938	Click Pin	BNT4993	B Side Plate Insert
BNT1672	E Lock	BNT4939	Click Spring	BNT4995	B Side Plate Seal
BNT1696	Cast Control Spacer	BNT4940	Star Drag	BNT4997	Set Plate Sticker
BNT2120	Click Plate Retainer	BNT4941	Cast Control Cap	BNT4998	Left Side Plate
BNT2121	Star Drag Click	BNT4942	Cast Control Click Holder	BNT4999	Drive Gear
BNT2127	Star Drag Spacer	BNT4943	Cast Control Cap Assembly	BNT5000	Drive Shaft
BNT2128	Bearing Washer	BNT4944	Ball Bearing	BNT5001	Drive Shaft Retainer
BNT2158	Screw	BNT4945	Ball Bearing	BNT5002	Screw
BNT2200	Handle Nut	BNT4946	Screw	BNT5003	Level Wind Guard
BNT2662	Drag Washer	BNT4948	Roller Clutch Bearing	BNT5004	Pinion Gear
BNT2664	Drag Washer	BNT4950	Roller Clutch Inner Tube	BNT5005	Yoke
BNT2819	Washer	BNT4952	Anti-Reverse Ratchet	BNT5006	Clutch Cam
BNT3060	Screw	BNT4954	Idle Gear	BNT5007	Clutch Plate
BNT3066	Screw	BNT4957	Level Wind Guide	BNT5008	Clutch Guard
BNT3076	O Ring	BNT4958	Idle Gear	BNT5009	One-Piece Frame
BNT3385	Yoke Spring	BNT4959	Washer	BNT5010	Clutch Bar Guide
BNT3577	Clutch Pawl Spring	BNT4960	Ball Bearing	BNT5011	Clutch Lever
BNT3927	Ball Bearing	BNT4961	Worm Shaft	BNT5012	Brake Case
BNT3941	Key Washer	BNT4965	Clutch Cam Retainer	BNT5013	Brake Case Cam
BNT4116	Screw	BNT4970	Line Guide Pawl	BNT5014	Side Plate Cam Lever
BNT4187	Ball Bearing	BNT4971	Washer	BNT5015	Damper Spring
BNT4431	Washer	BNT4972	Pawl Cap	BNT5016	Right Side Plate
BNT4621	Bearing Spacer	BNT4973	Screw	BNT5310	Idle Gear Pin
BNT4630	Idle Gear Spring	BNT4974	Worm Shaft Retainer	BNT5628	Washer
BNT4672	Clutch Pawl	BNT4978	Spool Assembly	BNT5633	Line Guide
BNT4695	Handle Knob Pipe	BNT4979	Brake Shoe M	BNT5634	Right Side Plate Assembly
BNT4699	Star Drag Spring	BNT4980	Brake Pipe Gear		
BNT4704	Cast Control Click Plate	BNT4981	O Ring		
BNT4720	Clutch Pawl Bushing	BNT4982	Screw		
BNT4761	Star Drag Nut	BNT4983	Br Dial Gear	BNT4692	B-100 Oil (accessory)