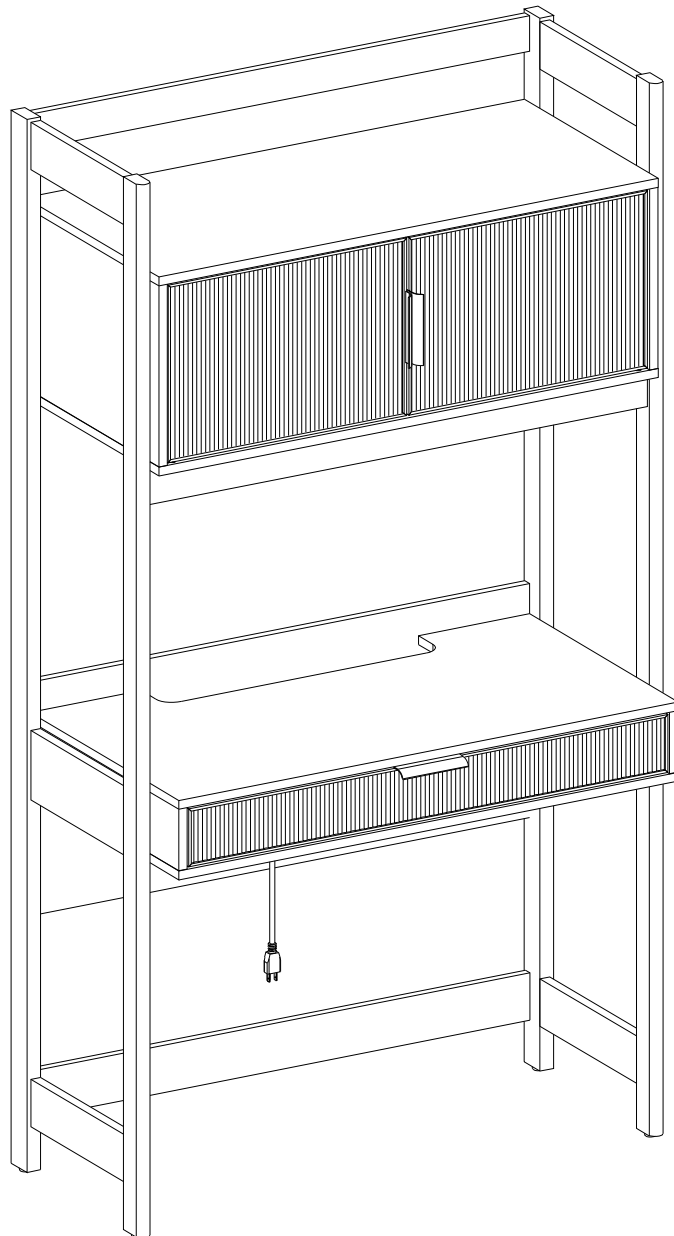


**WALKER EDISON**  
TM

# Holmes Desk with hutch

SKU# WEHOL420S3



**For Residential Use Only**

Please visit our website for the most current instructions, assembly tips, report damage, or request parts. [www.walkerredison.com](http://www.walkerredison.com)

# WE Time to get started

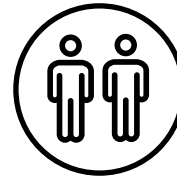
Set up a clean and soft workplace to get started and avoid damage during the assembly. It also helps to double-check you've got all the pieces and parts before diving in to assembly.

## Estimated time for assembly



## People recommended for assembly

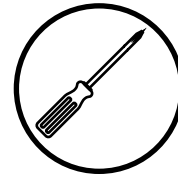
Make it a team effort! Grab a friend for quicker, easier assembly.



2 People Build

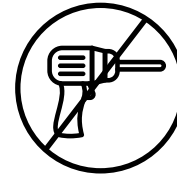
## Tools Needed

Grab a Phillips head screwdriver to conquer this assembly



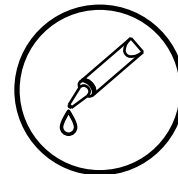
## Use power tools with caution

You can cause cracking or damage to the material and easily strip the hardware. If you choose to use a power tool, your product will no longer be covered under Walker Edison's warranty.



## Glue is provided to secure wood dowels in place

When inserting dowels, locate the appropriate hole, place a small amount of glue in the hole, and then insert the dowel. Wipe away excess glue immediately.

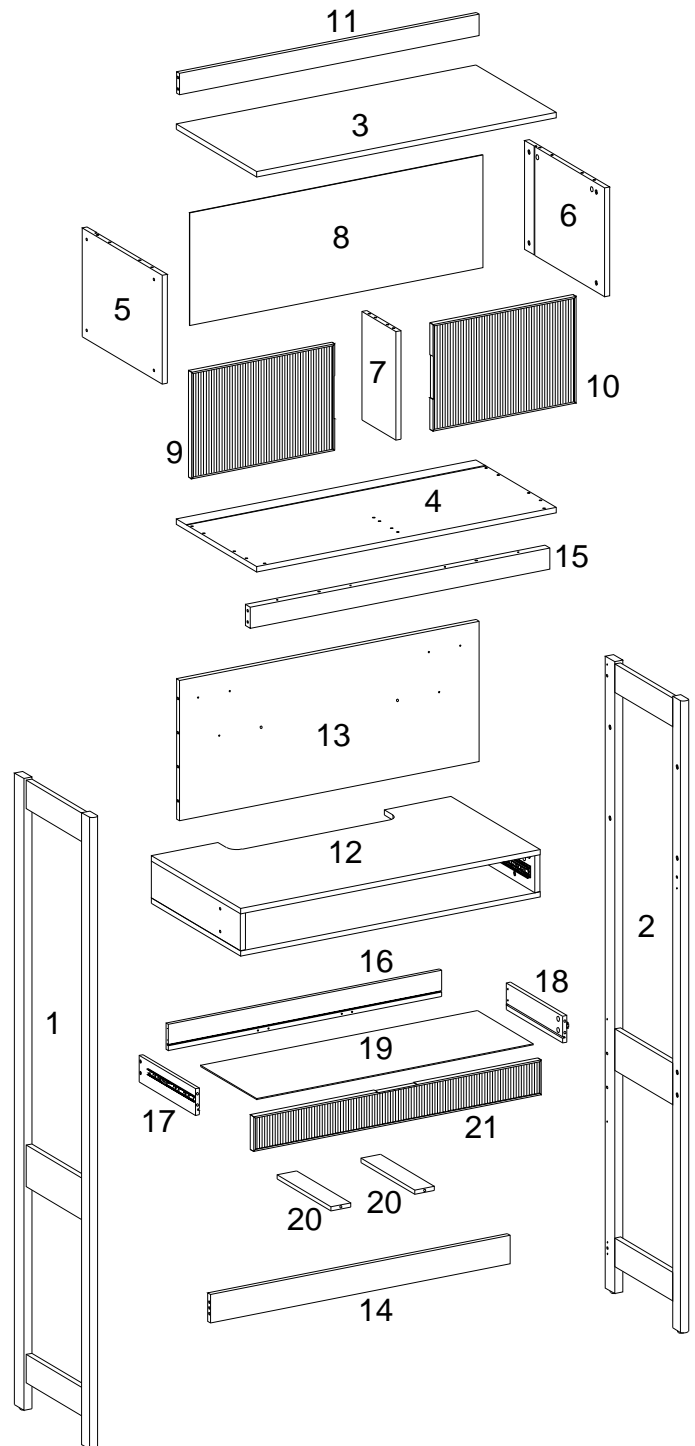


**Scan to get assembly tips and help!**


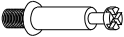

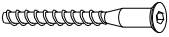




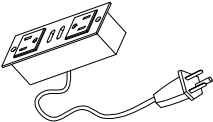
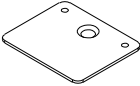

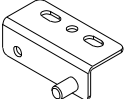


# Parts List

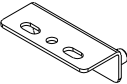

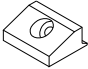

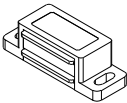

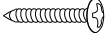
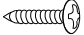


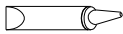
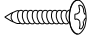
Part Number	Description	Quantity
1	Left Panel	1
2	Right Panel	1
3	Top Cabinet Panel	1
4	Bottom Cabinet Panel	1
5	Left Cabinet Panel	1
6	Right Cabinet Panel	1
7	Cabinet Divider	1
8	Back Cabinet Panel	1
9	Left Cabinet Door	1
10	Right Cabinet Door	1
11	Upper Trim	1
12	Desk Box	1
13	Back Panel	1
14	Support Panel	1
15	Lower Cabinet Trim	1
16	Back Drawer Panel	1
17	Left Drawer Panel	1
18	Right Drawer Panel	1
19	Bottom Drawer Panel	1
20	Drawer Support Panel	2
21	Drawer Front Panel	1



# Hardware List



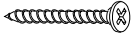
Part	Size	Name	Quantity
A	 8x30mm	Wooden dowel	26
B	 6x35mm	Cam bolt	26
C	 15x11mm	Cam lock	20
D	 6x50mm	Bolt	6
E	 6x30mm	Bolt	12
F	 M4x57mm	Hex Key	1
G	 3x12mm	Screw	10
H		Drawer/Cabinet Handle	3
J		Electrical Outlet	1
K		Metal Piece	2
M	 3x12mm	Screw	8
N		Door Hinge	2

# WE Hardware List

Part	Size	Name	Quantity
P		Door Hinge	2
Q		Plastic Pivot	4
R		Plastic wedge	6
S	 3x17mm	Screw	6
T		Door Stopper	2
V	 30mm	Sticker	36
W	 4x25mm	Screw	2
X	 4x15mm	Screw	2
Y		Wall Anchor	2
Z		Plastic strap	2
AA		Glue tube	2
BB	 3x15mm	Screw	4



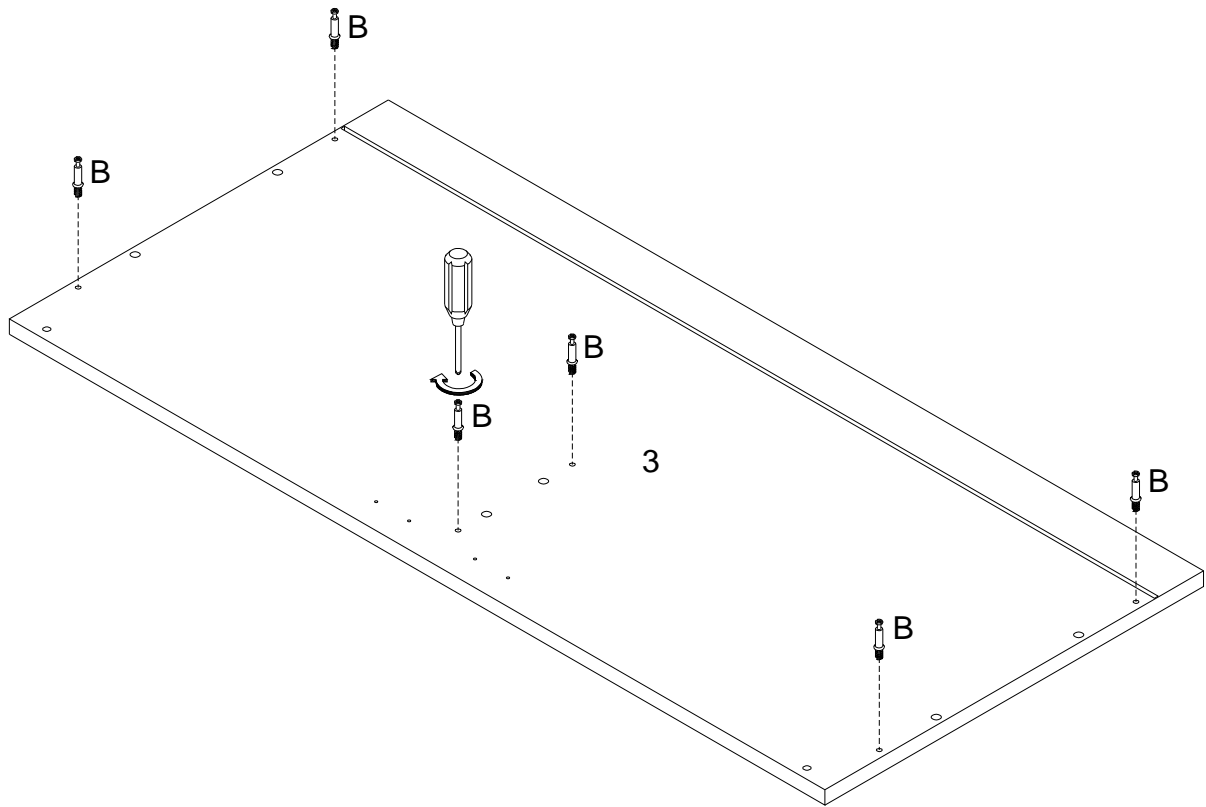
# Hardware List

Part		Size	Name	Quantity
CC		4x38mm	Screw	4
DD		15x9mm	Cam lock	6
EE		4x38mm	Screw	12

The hardware quantities listed above are required for proper assembly.  
Extra hardware pieces may be included.

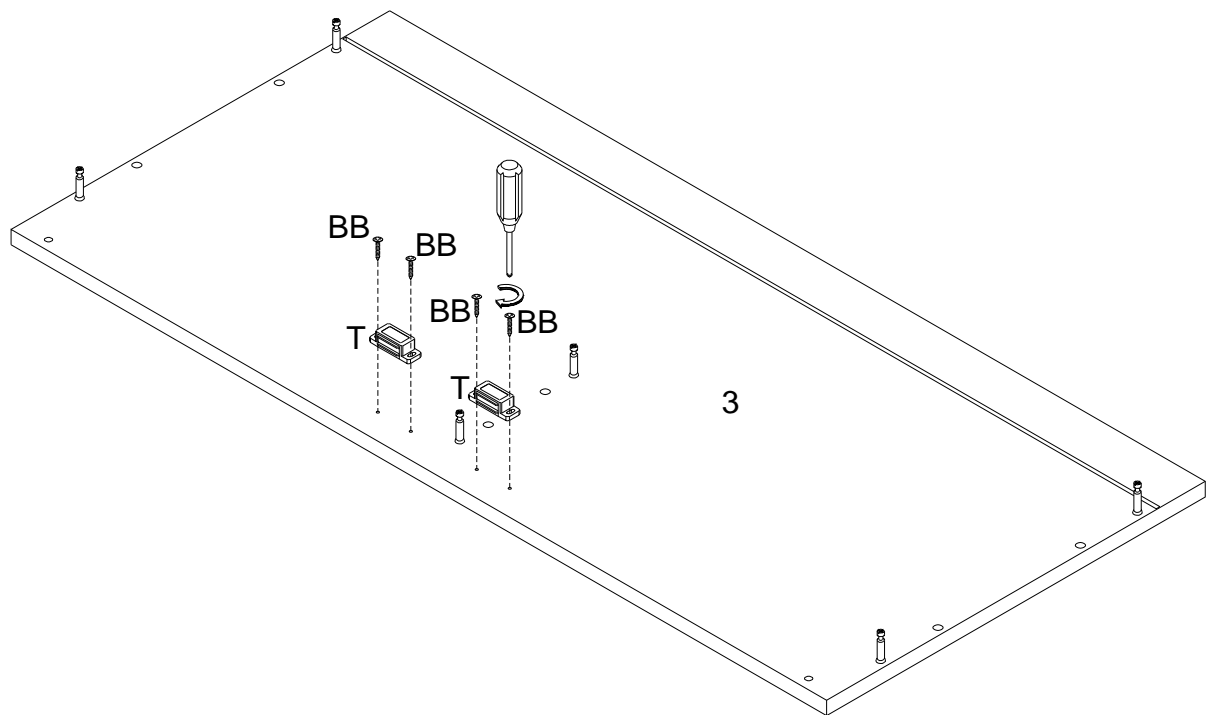
# Step 1

Using a screwdriver, attach the Cam Bolts (B) to the Top Cabinet Panel (3).



# Step 2

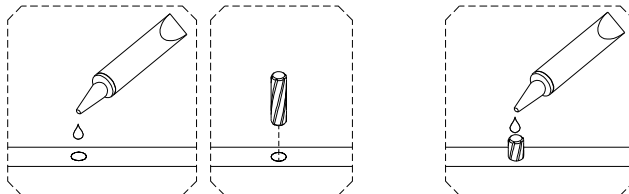
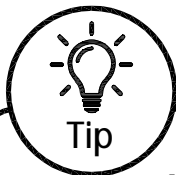
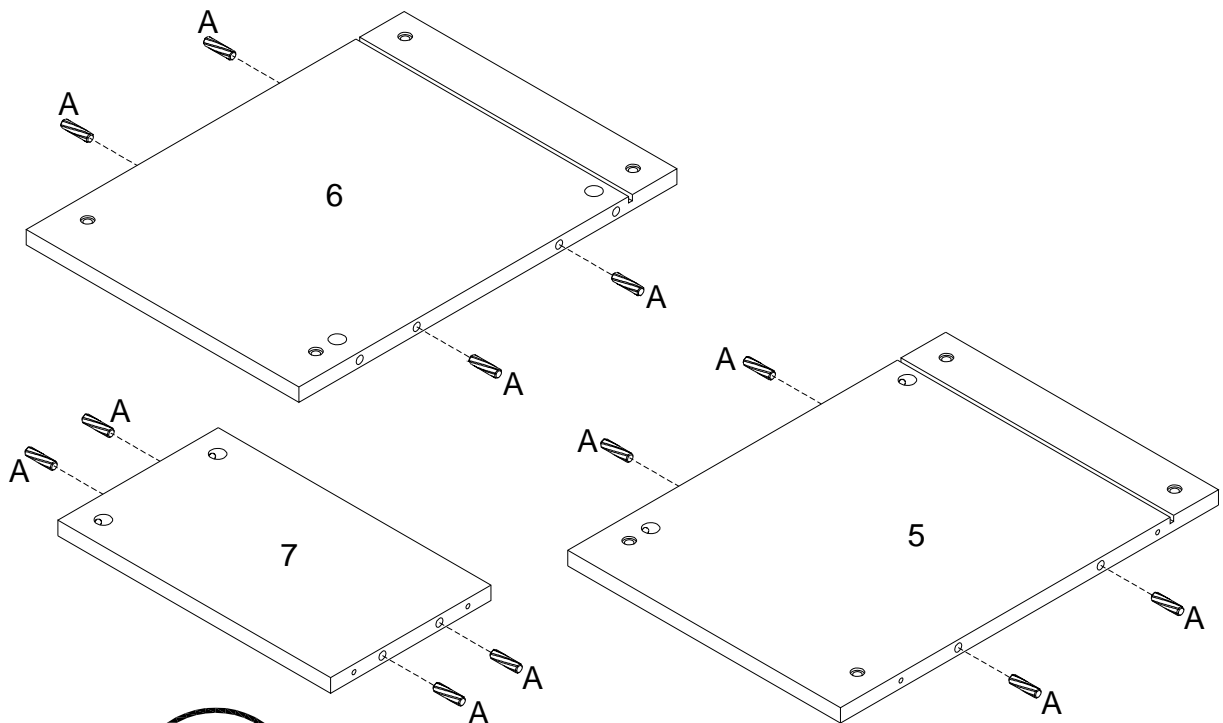
Attach the two Door Stoppers(T) to the Top Cabinet Panel (3) using four 15mm Screws (BB).





# Step 3

Insert Wooden Dowels (A) into the dowel holes on the Left Cabinet Panel (5), Right Cabinet panel (6), & the Cabinet Divider (7).

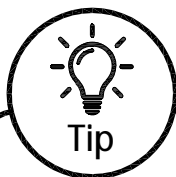
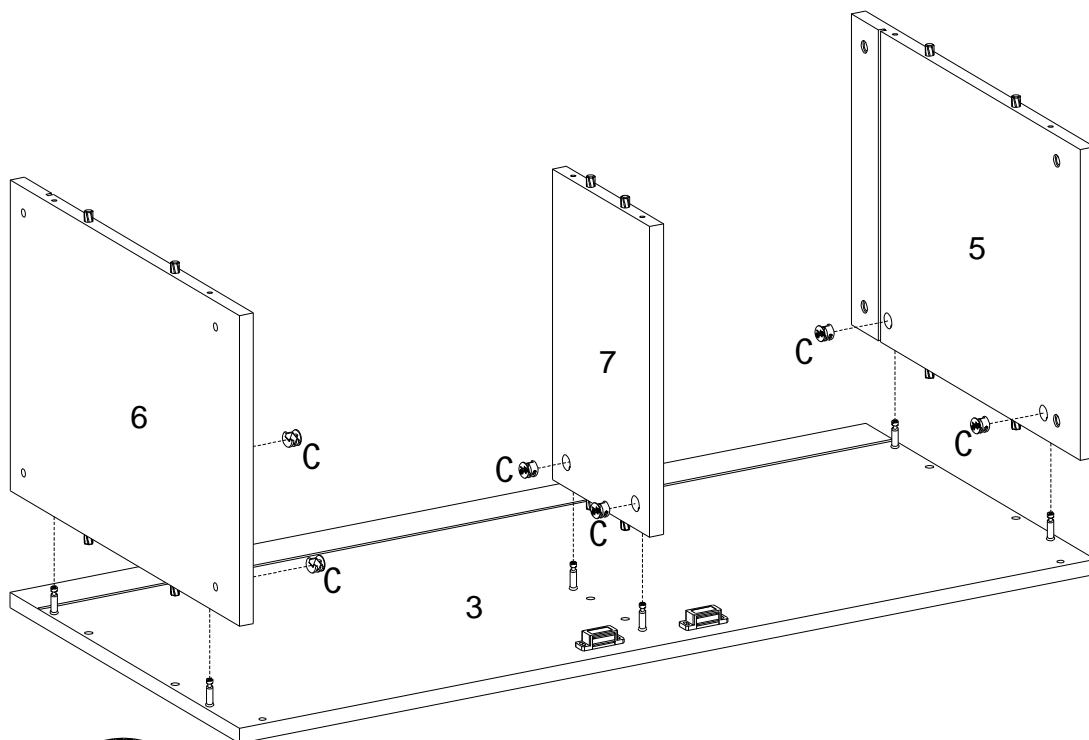


1: The provided glue is to secure wood dowels in place. When first inserting dowels, locate the appropriate hole for the dowel, place a small amount of glue in the hole and insert the dowel. Wipe away excess glue immediately.

2: In future assembly steps when dowels are necessary to attach assembly parts together, place a small amount of glue on the end of the dowel before attaching parts together. Wipe away excess glue immediately.

# Step 4

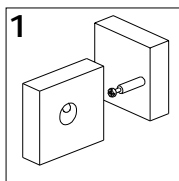
Let's construct the cabinet. Attach Right Cabinet Panel (6), Cabinet Divider (7), & Left Cabinet Panel (5) to the Top Cabinet Panel (3) using Cam Locks (C). Secure with a screwdriver. Ensure that all panels are facing the correct direction.



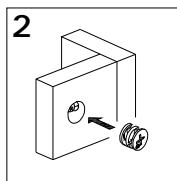
Tip

## Cam Locks

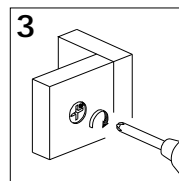
Cam Locks help securely join two pieces together.  
Follow these easy steps.



1: Insert Cam Bolt into bolt holes on the flat side. Don't over tighten!



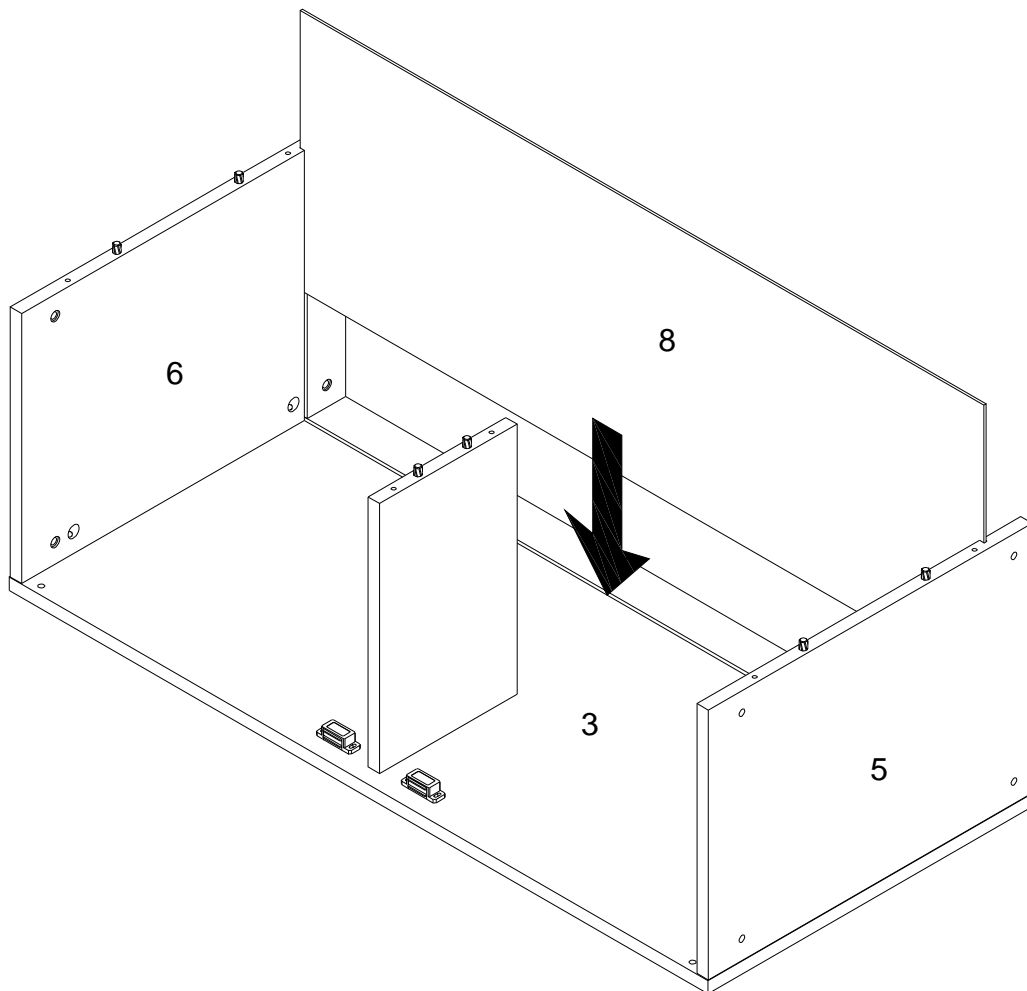
2: Fit the proper holes on the edge of the other part over the Cam Bolts. You should be able to see the cam bolts through the larger hole on the side.



3: On the back of the Cam Lock will be a "C" shape. Insert the Cam Lock so the opening of the "C" fits over the Cam Bolt. Tighten with the screwdriver.

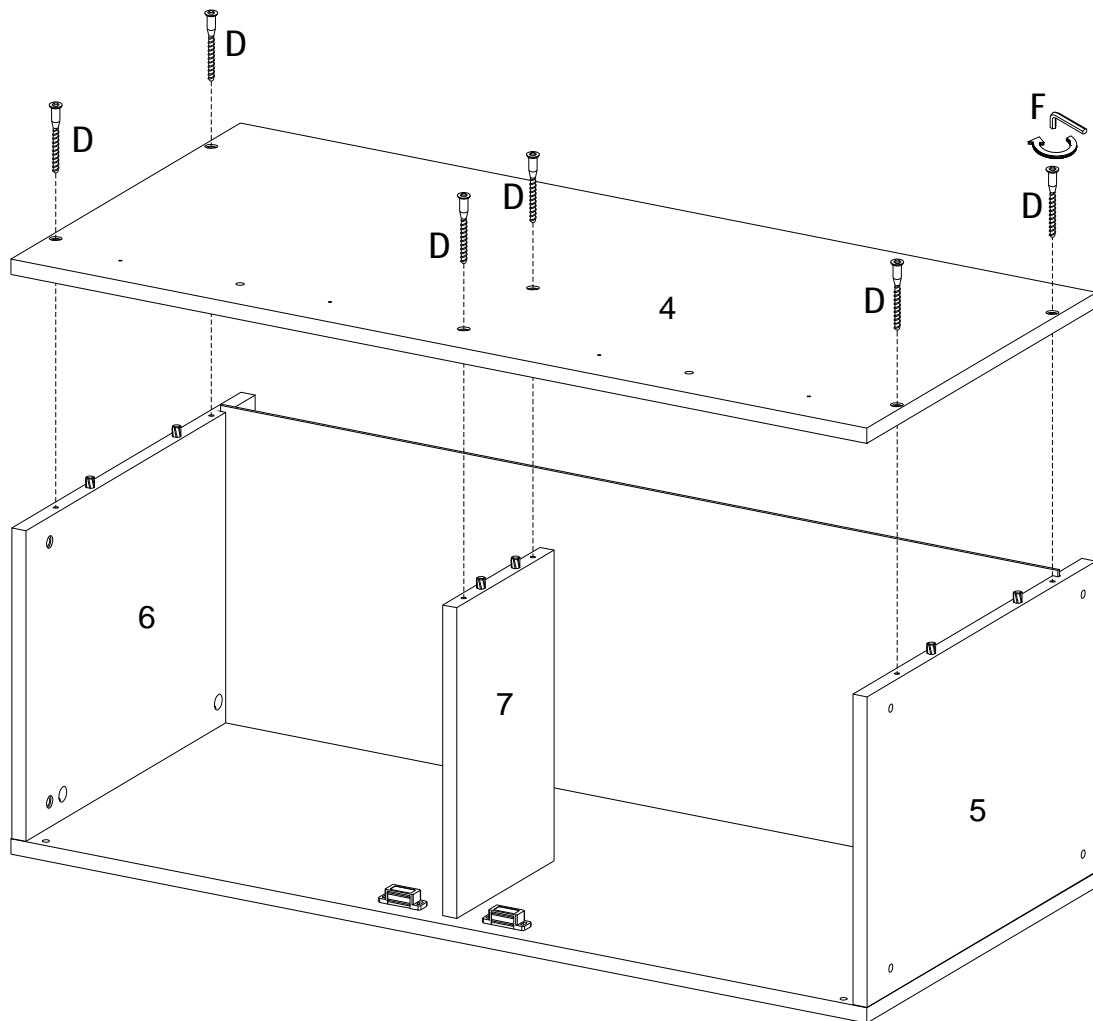
# Step 5

Slide Back Cabinet Panel (8) into place using the guides.



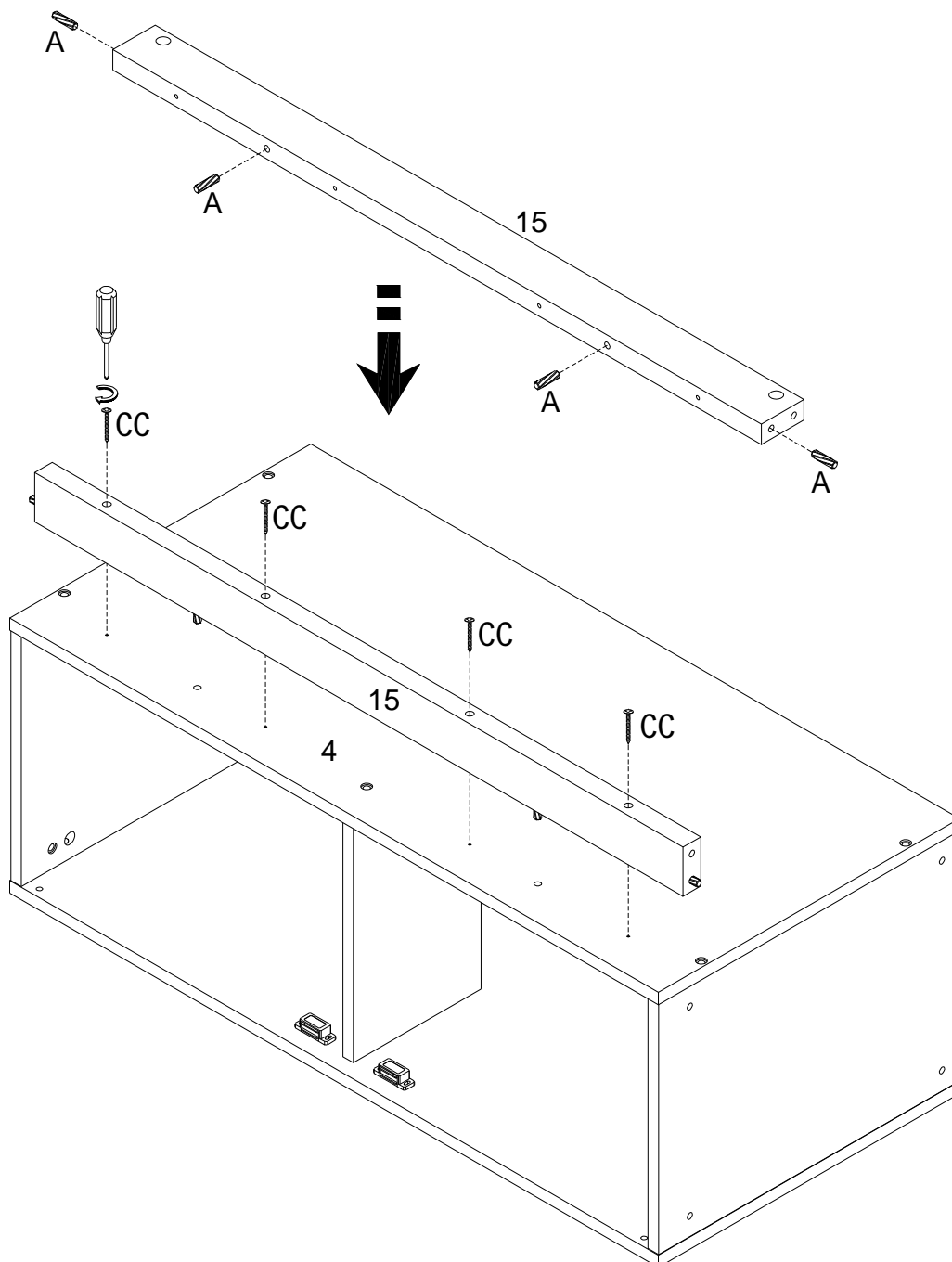
# Step 6

Attach Bottom Cabinet Panel (4) to Left Cabinet Panel (5), Right Cabinet Panel (6), & Cabinet Divider (7) using 50mm Bolts (D).



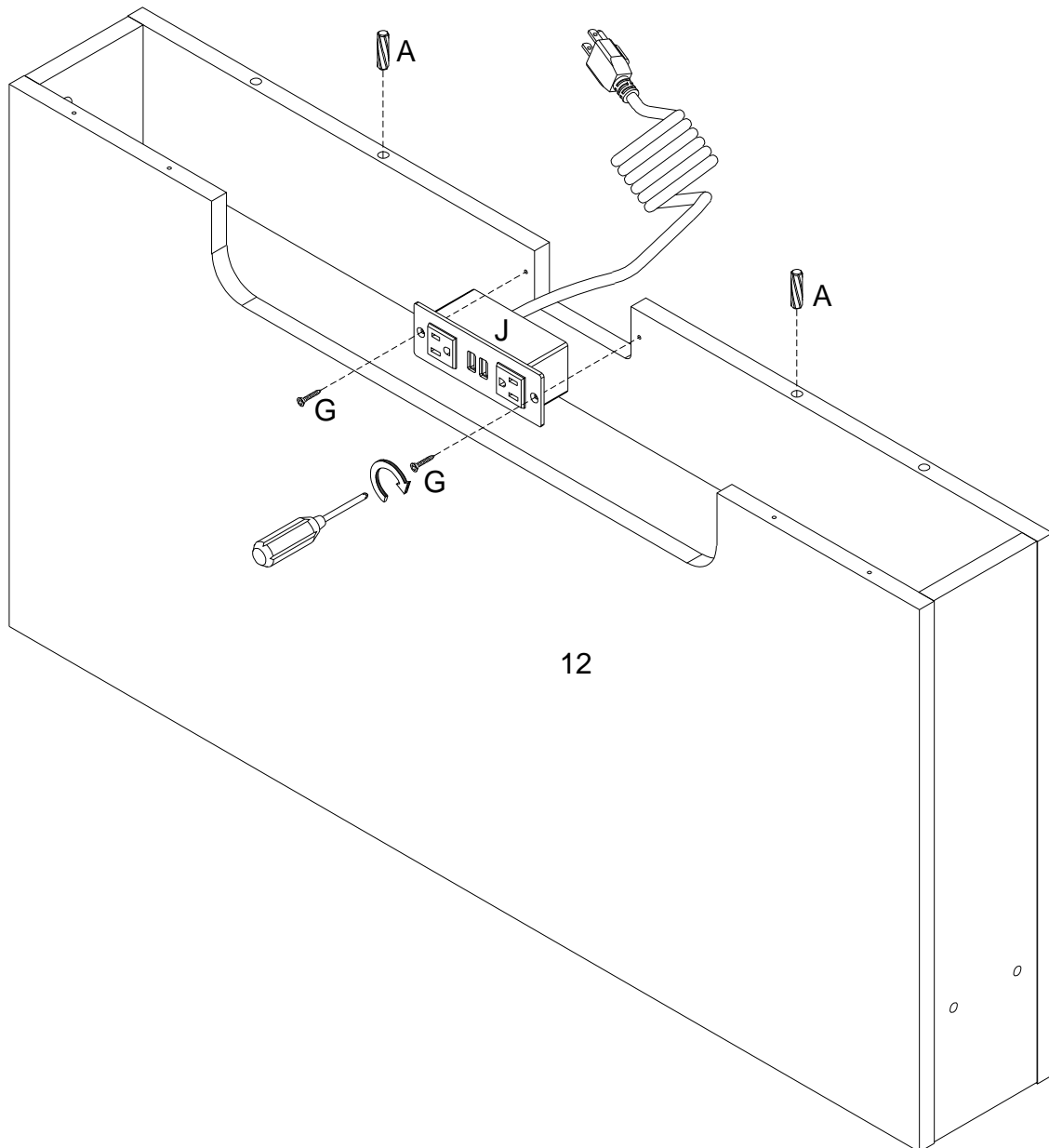
# Step 7

Insert Wooden Dowels (A) into the dowel holes on the Lower Cabinet Trim (15). Then, attach the Lower Cabinet Trim (15) to the Bottom Cabinet Panel (4) using 38mm Screws (CC).



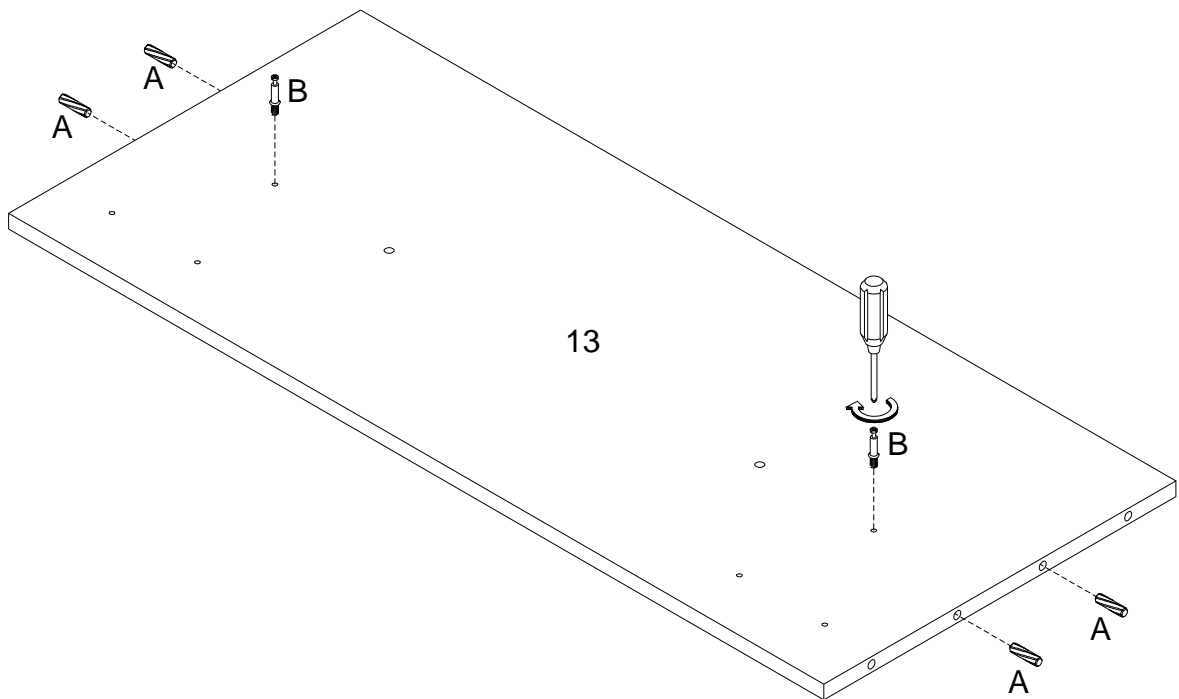
# Step 8

Attach the Electrical Outlet ( J ) to the Desk Box ( 12 ) using 12mm Screws ( G ). Then, insert Wooden Dowels ( A ) into the dowel holes on the Desk Box ( 12 ).



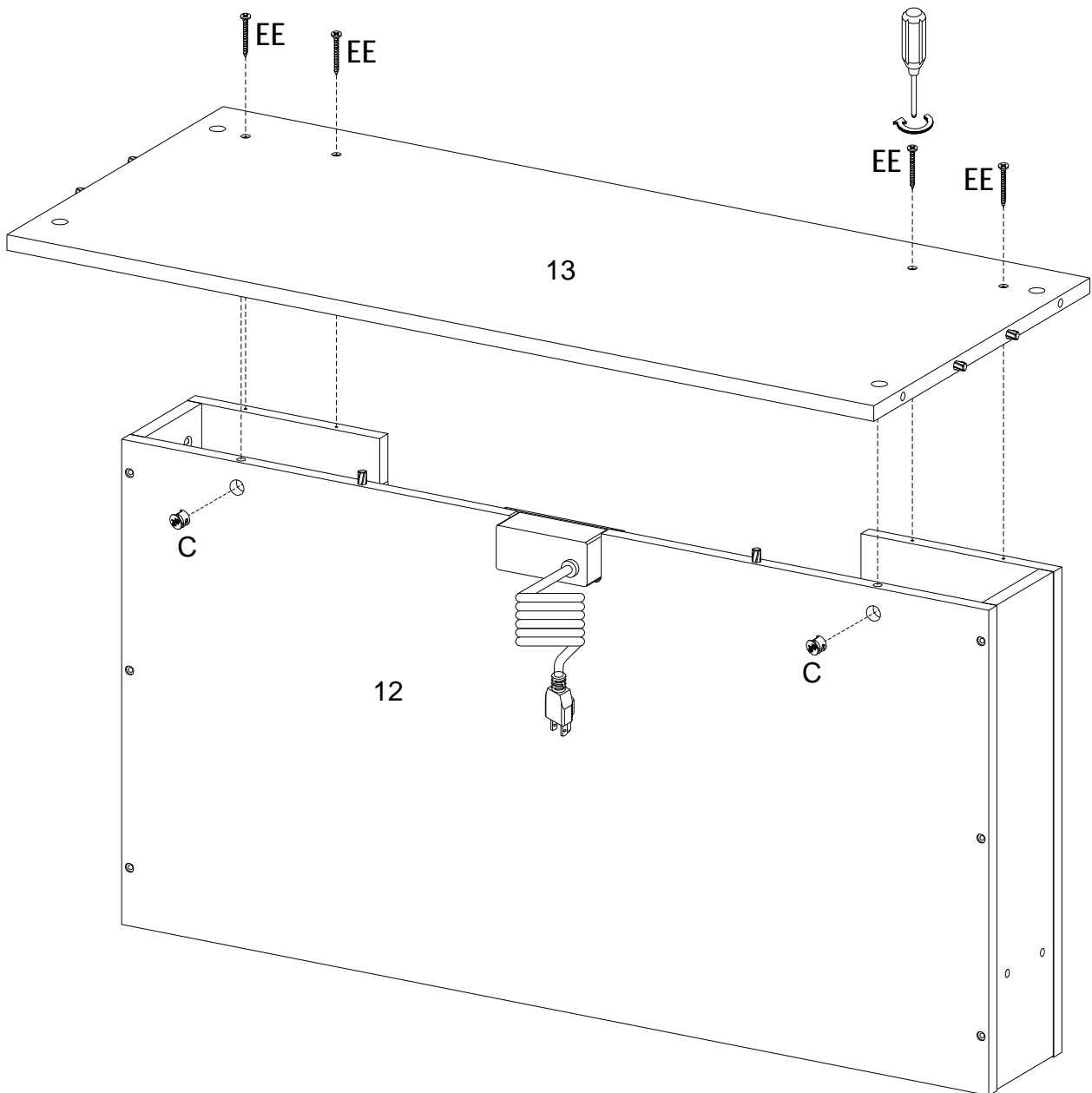
# Step 9

Insert Wooden Dowels (A) into the dowel holes on the Back Panel (13). Using a screwdriver, attach the Cam Bolts (B) into the Back Panel (13).



# Step 10

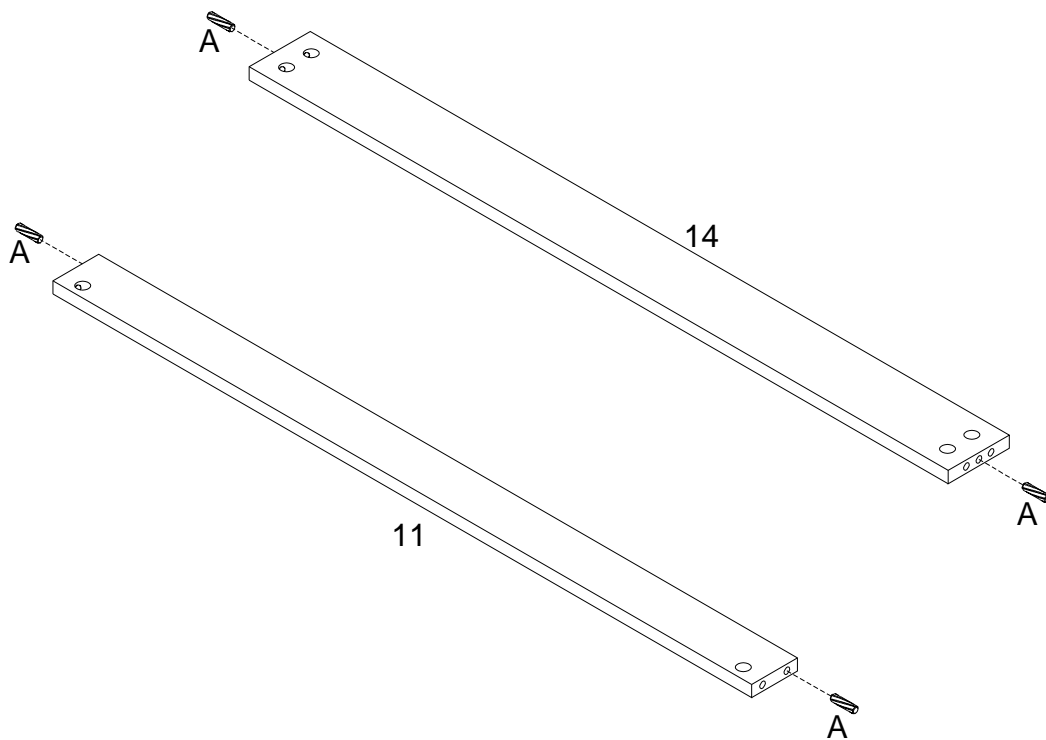
Attach the Back Panel (13) to the Desk Box (12) with two Cam Locks (C) on the bottom side. Then attach two 50mm Screws (EE) through the Back Panel (13) and into the back of the Desk Box (12).





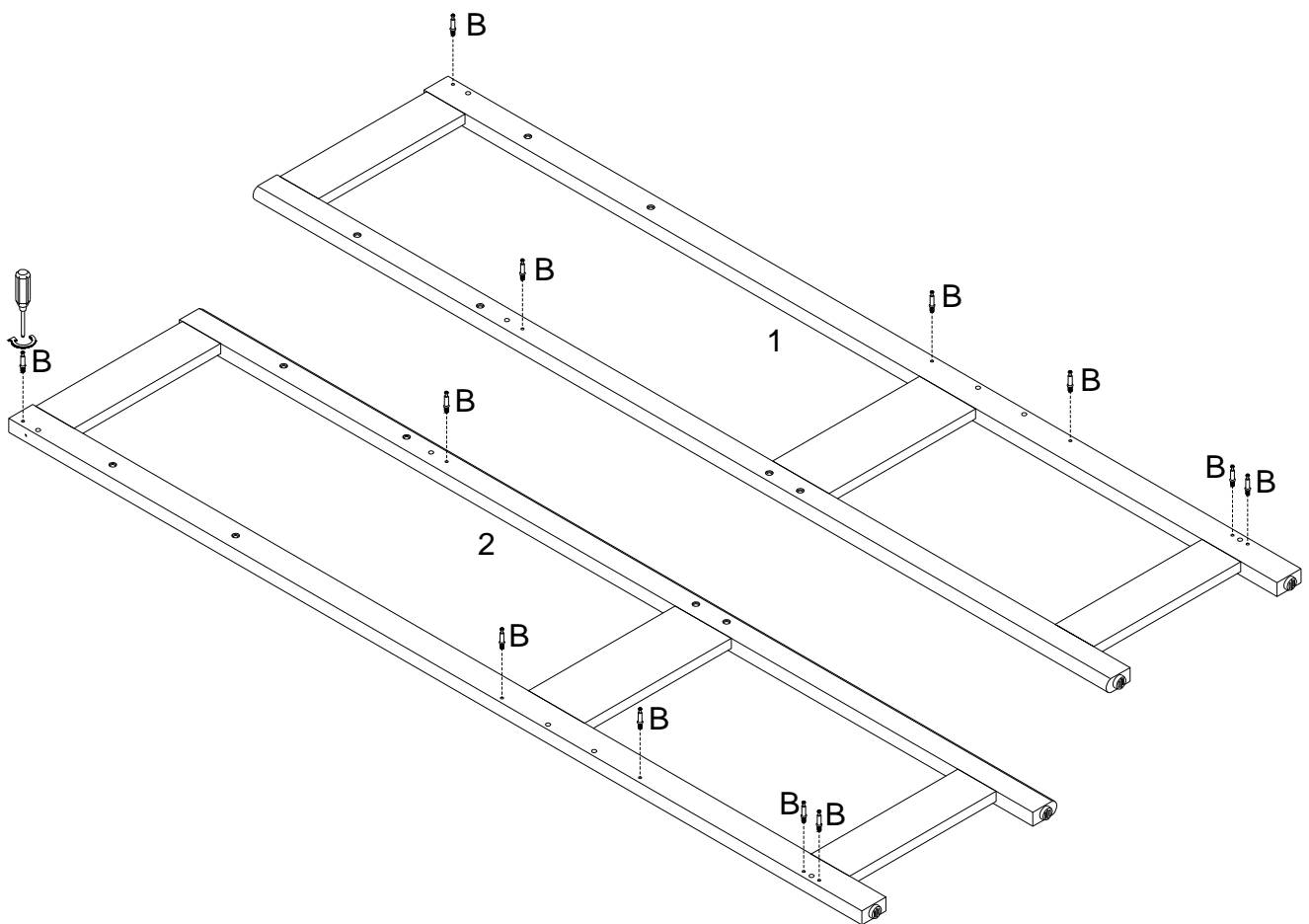
# Step 11

Insert Wooden Dowels (A) into the dowel holes on the Upper Trim (11) and the Support Panel (14).



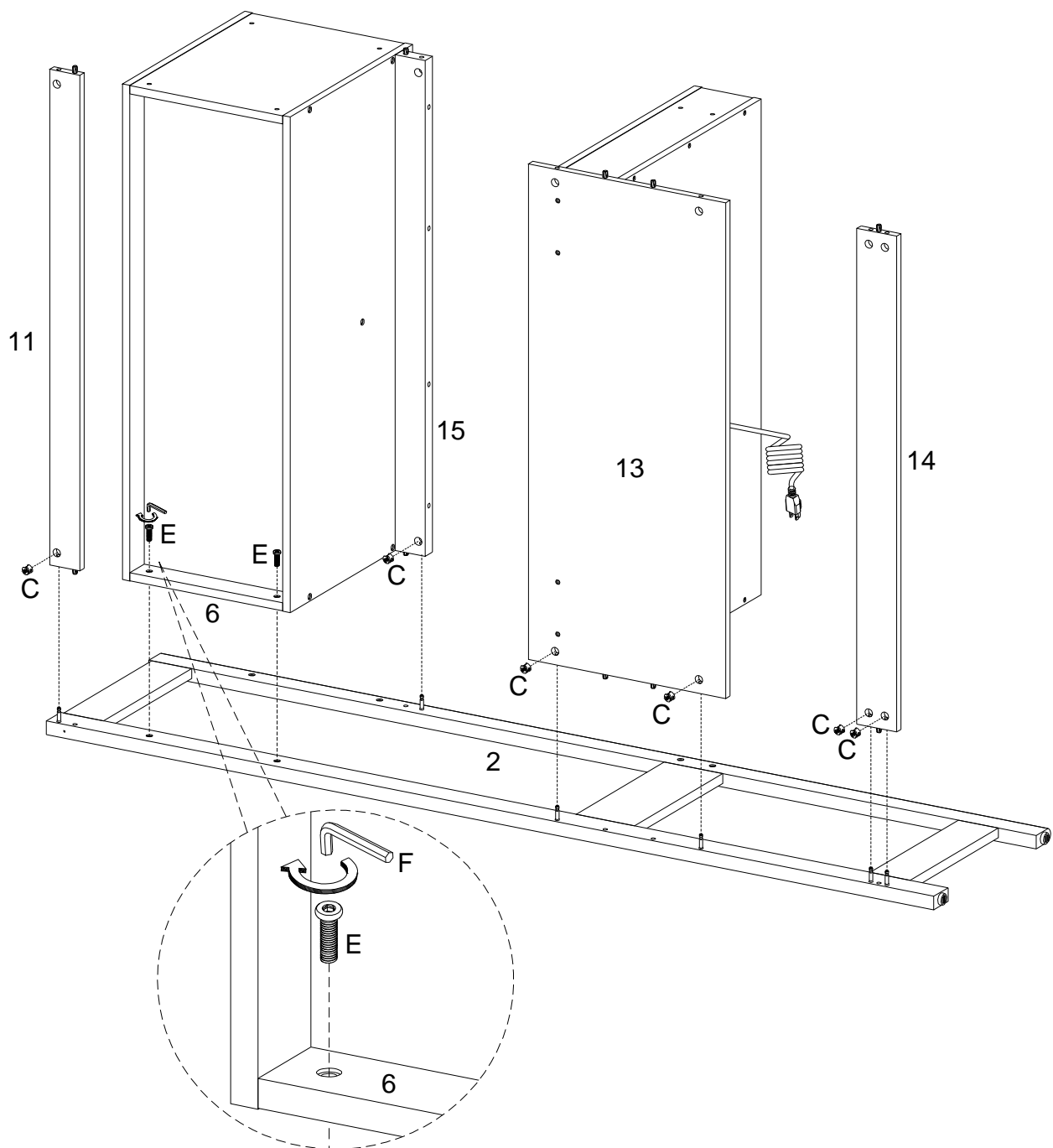
# Step 12

Screw Cam Bolts (B) into the Left Panel (1) and the Right Panel (2).



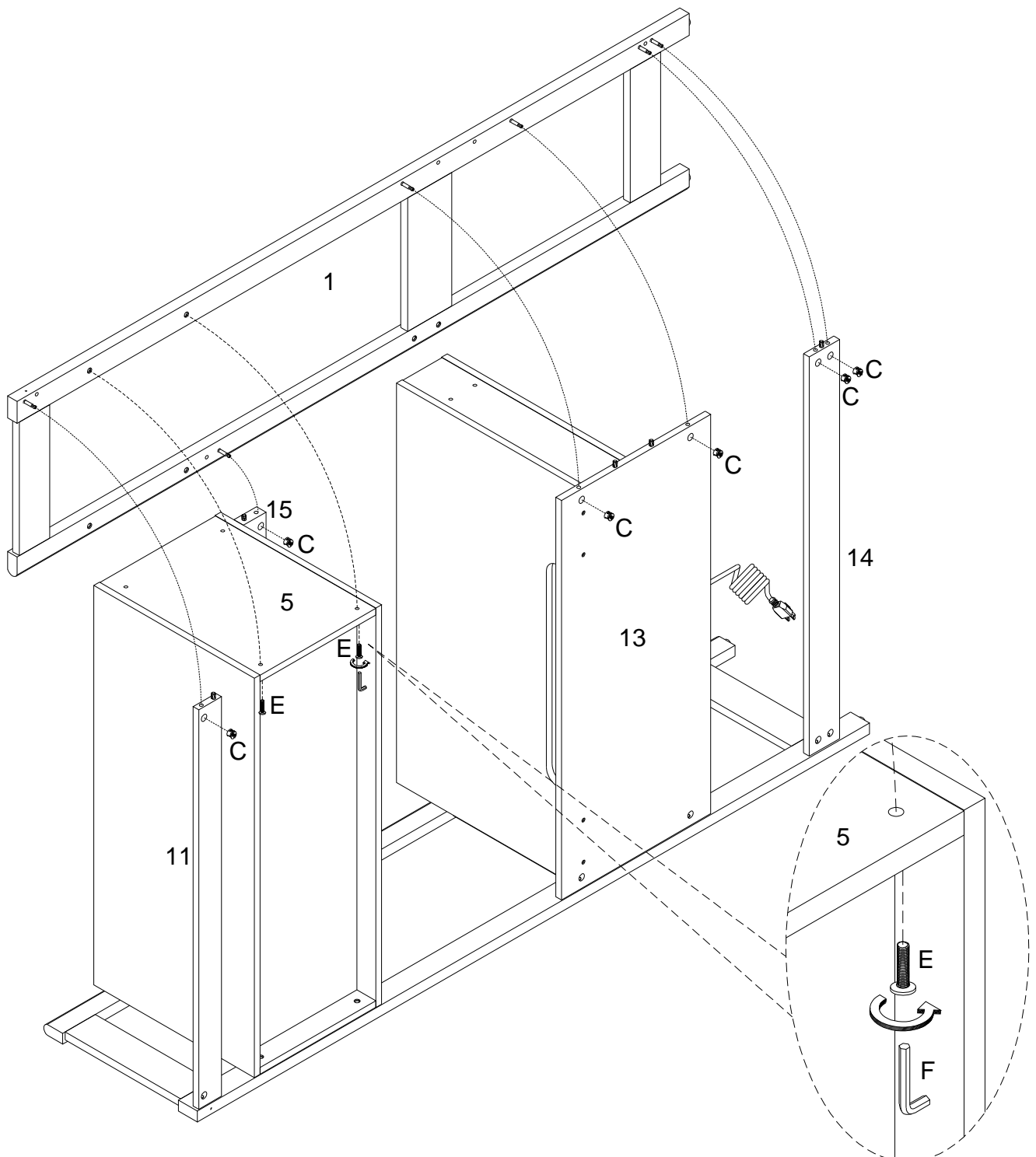
# Step 13

Connect the Left Panel (2) to the Upper Trim (11), Lower Cabinet Trim (15), Back panel (13), and Support Panel (14) using Cam Locks (C). Now, connect it to the Right Cabinet Panel (6) using 30mm Bolts (E).



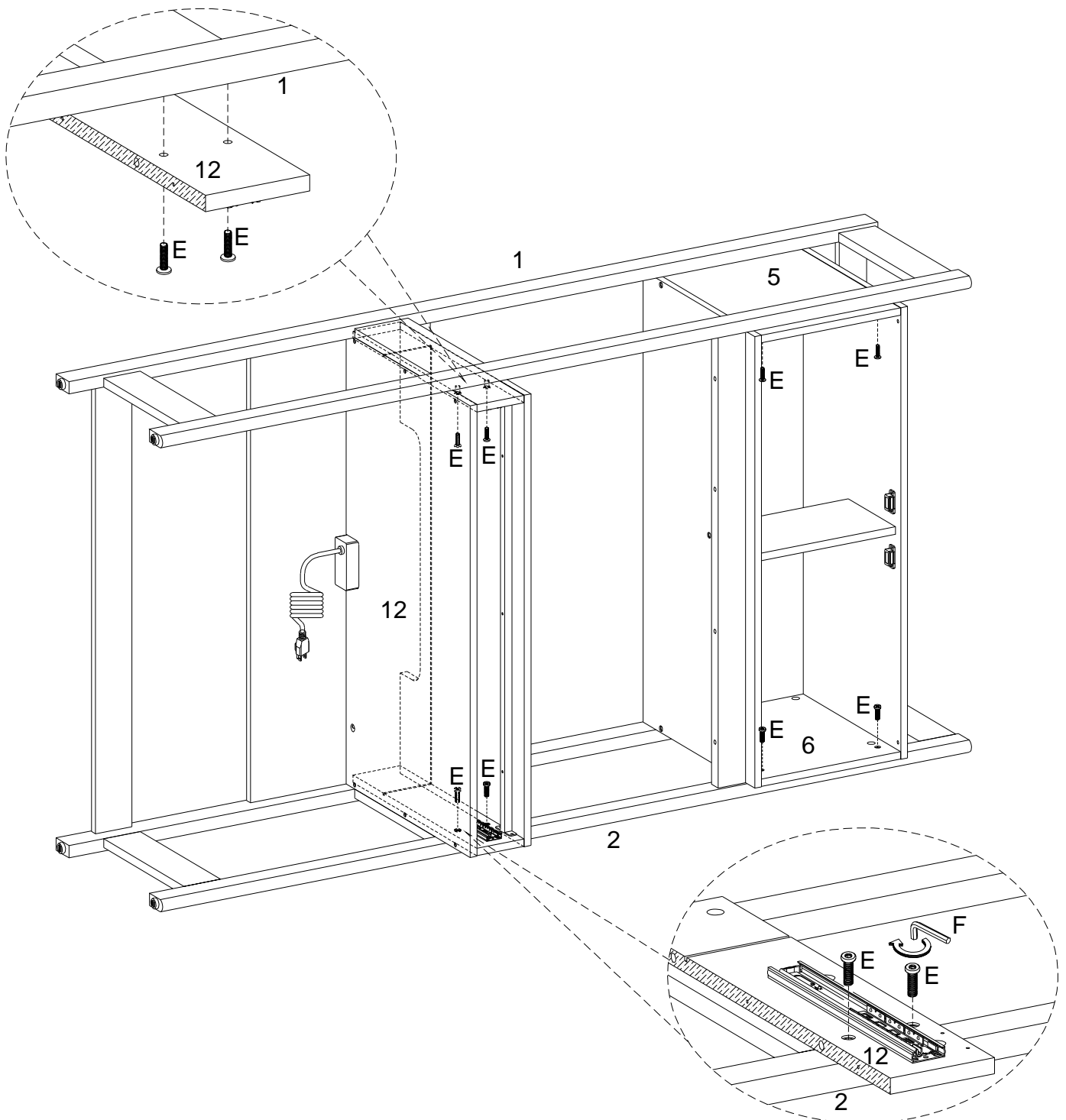
# Step 14

Repeat the same steps with the Left Panel (1). Attach Left Panel (1) to the Upper Trim (11), Back Panel (13), and Support panel (14) using Cam Locks (C). Secure with a screwdriver. Then, attach Left Cabinet Panel (5) with two 30mm Bolts (E).



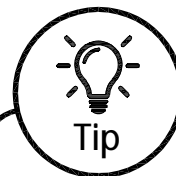
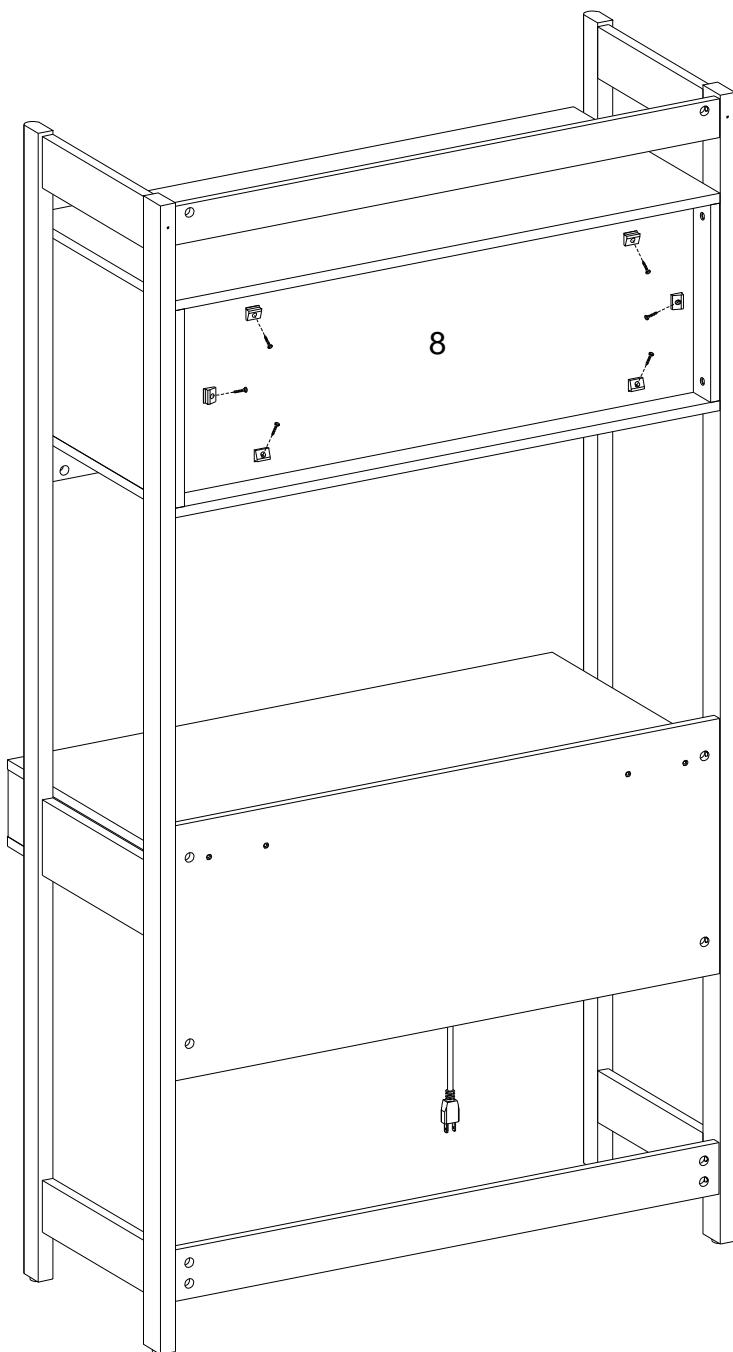
# Step 15

Now, secure the front of the Desk Box (12), the Left Cabinet Panel (6), & the Right Cabinet Panel (6) to the Right Panel (2) and the Left Panel (1) using 30mm Bolts (E).



# Step 16

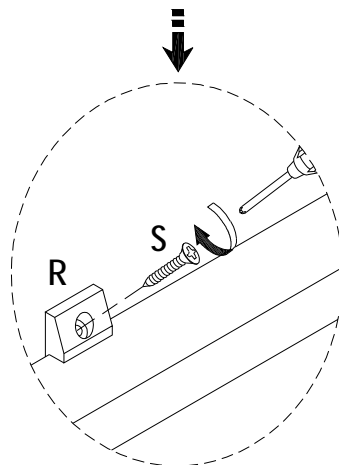
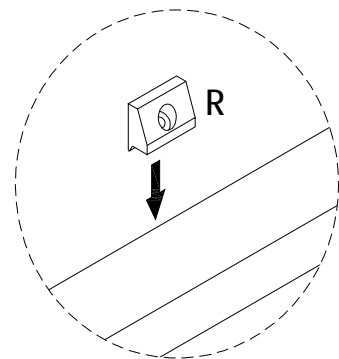
Evenly place your Plastic Wedges (R) into the gaps between the Back Cabinet Panel (8) and the frame. Attach the Plastic Wedges with 17mm Screws (S).



Tip

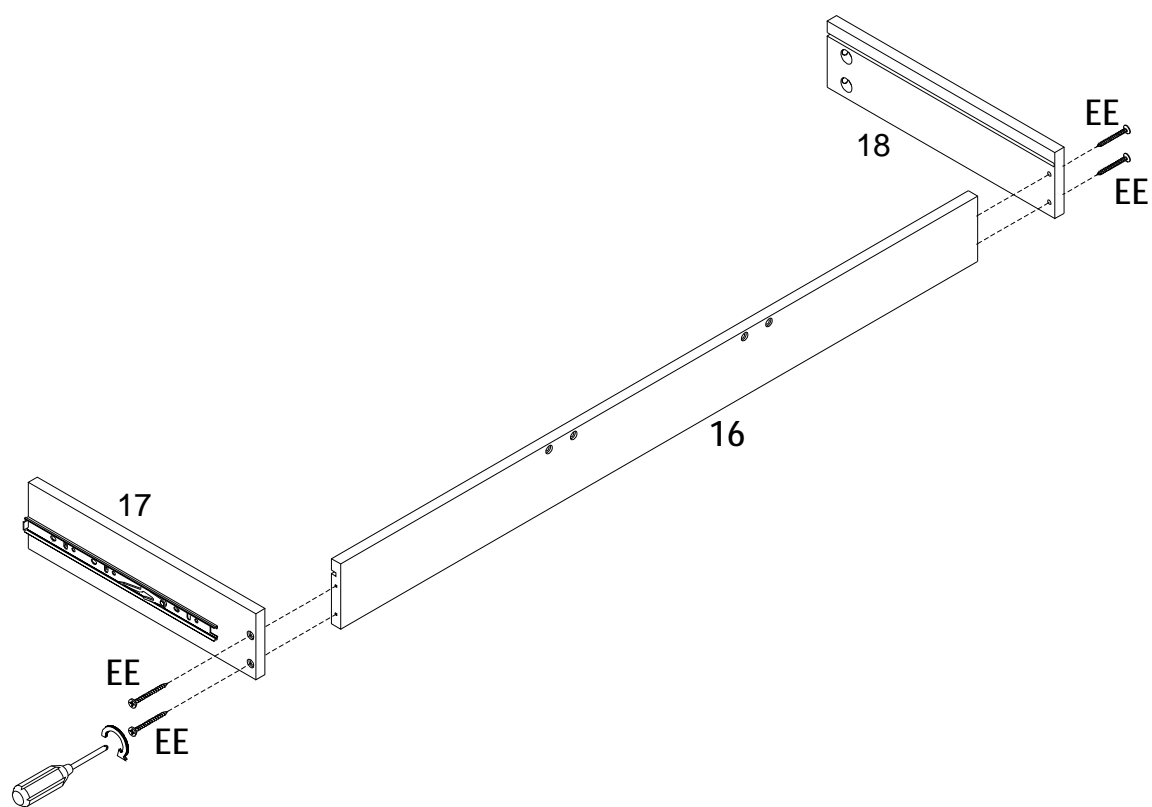
## Insert Plastic Wedge

Plastic wedge can be inserted gently between the back panel and frame. The screw will follow the direction of the hole in the plastic wedge.



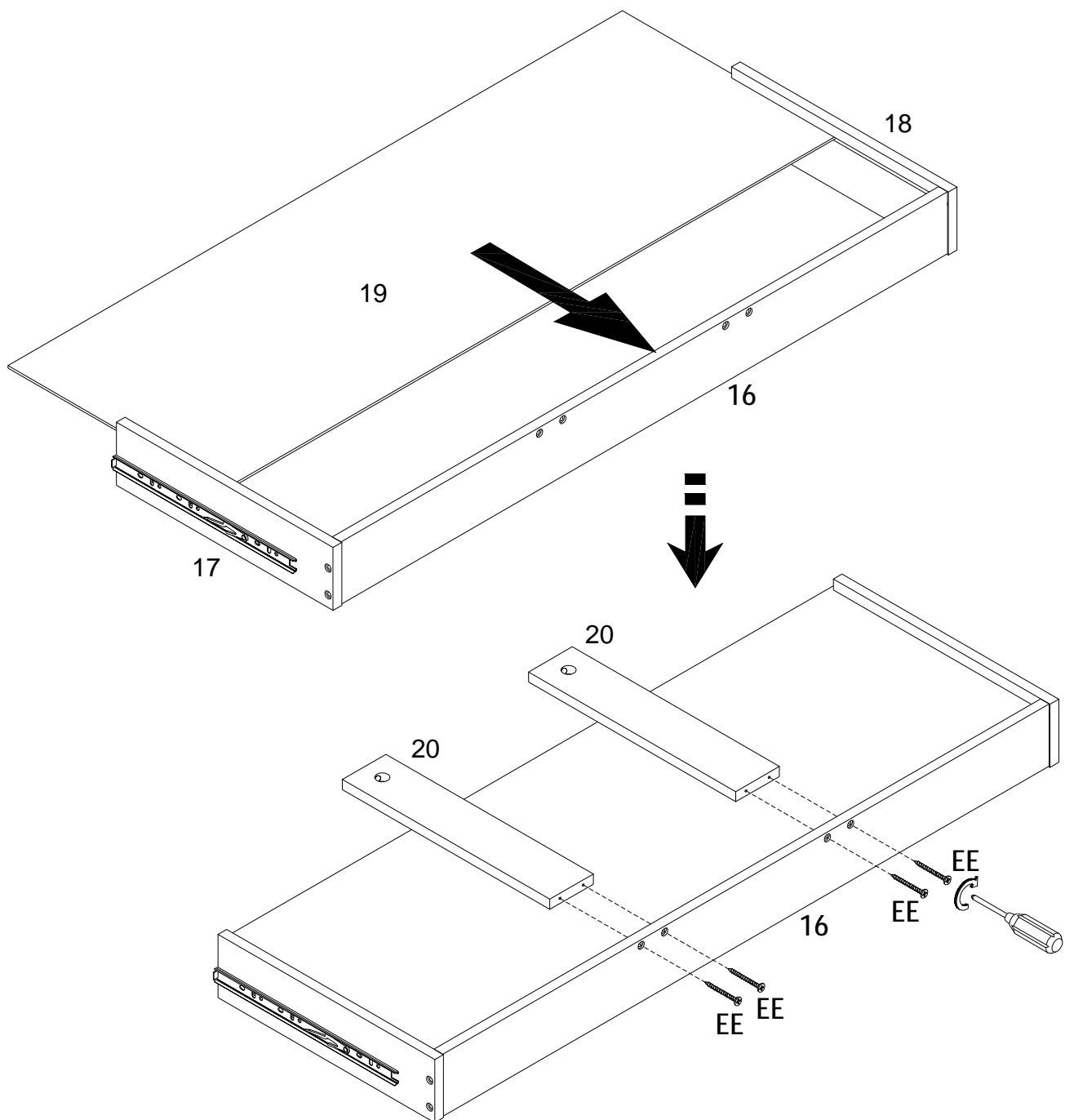
# Step 17

Attach the Left Drawer Panel (17) and Right Drawer Panel (18) to the Back Drawer Panel (16) using 38mm Screws (EE).



# Step 18

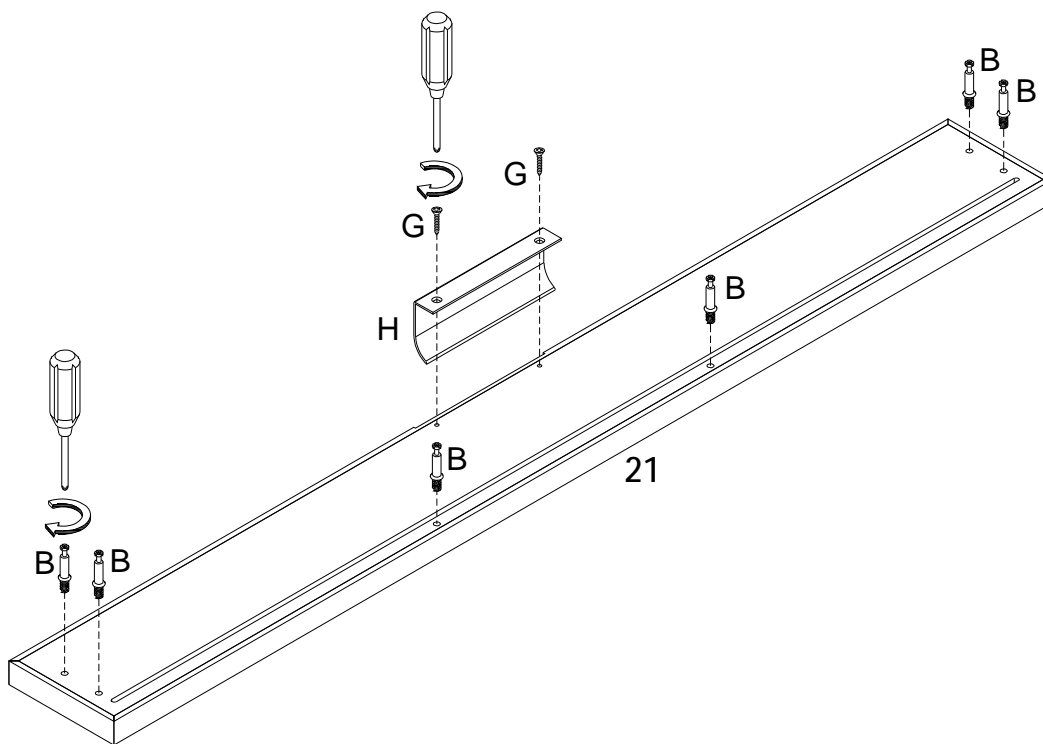
Slide the Bottom Drawer Panel (19) into place using the grooves. Attach the two Drawer Support Panels (20) to the bottom panel and secure with 38mm Screws (EE).





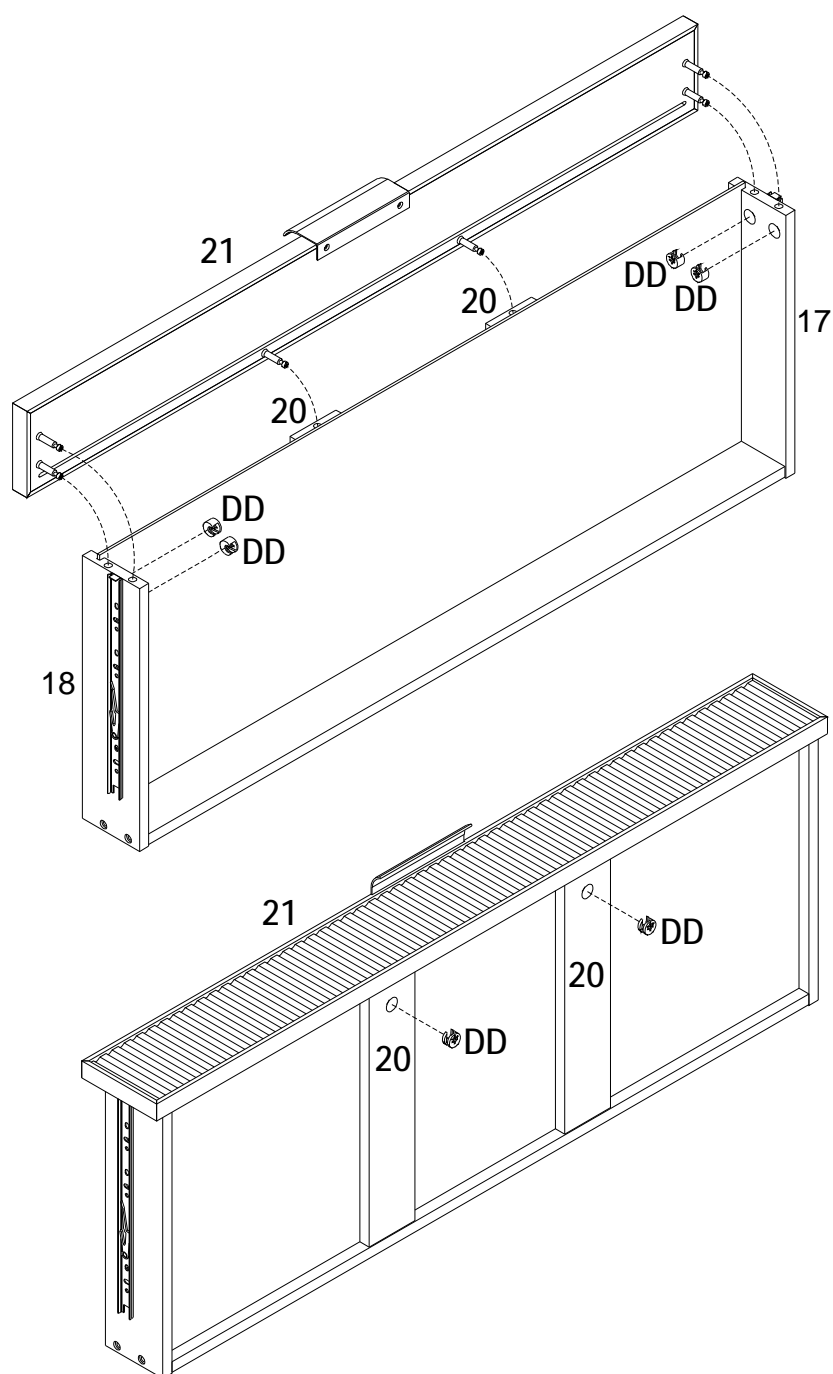
# Step 19

Attach Cam Bolts (B) to the Front Drawer Panel (21).  
Attach the Drawer Pull (H) using 12mm Screws (G).



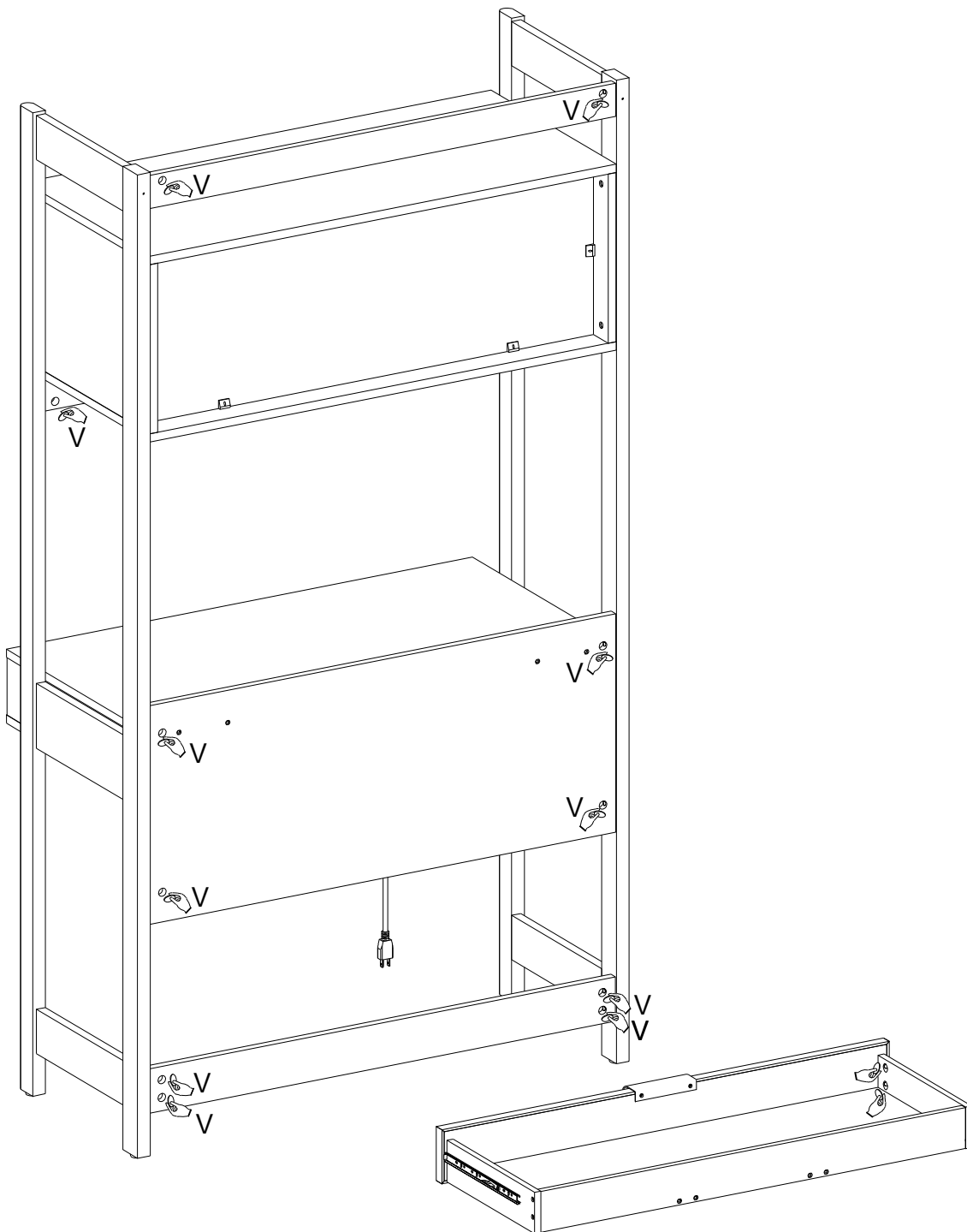
# Step 20

Attach the Front Drawer Panel (21) to the drawer box using Cam Bolts (DD).



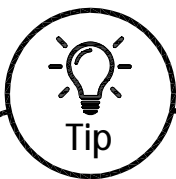
# Step 21

Cover visible Cam Locks with Stickers (V).



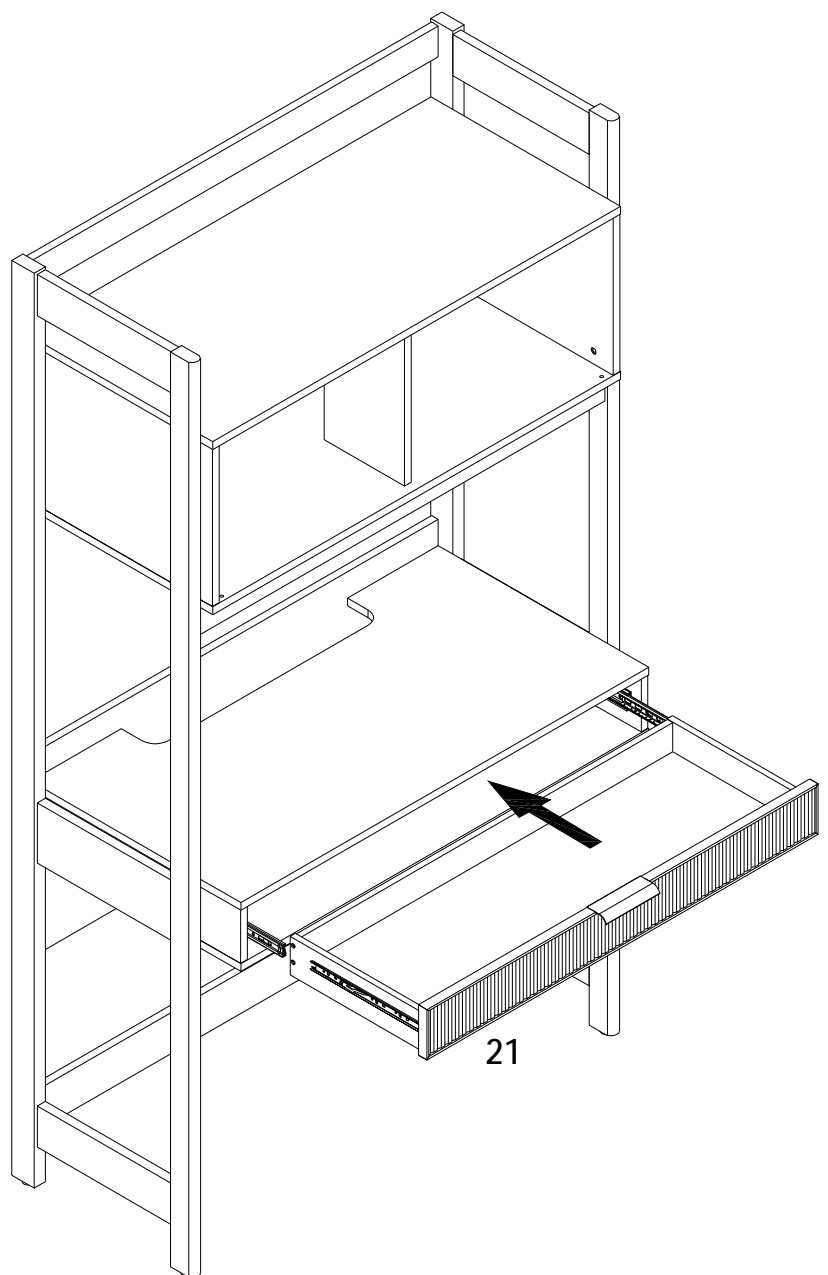
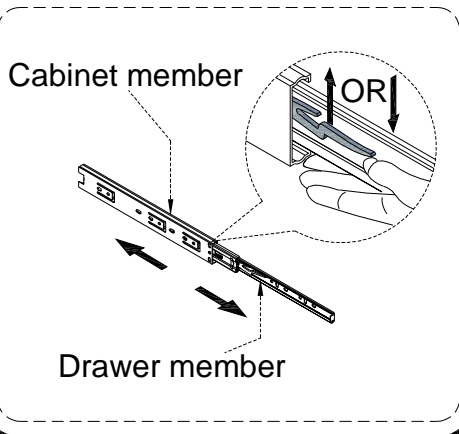
# Step 22

Insert drawer into place by lining up the cabinet member and drawer member pieces of your Drawer Glides.



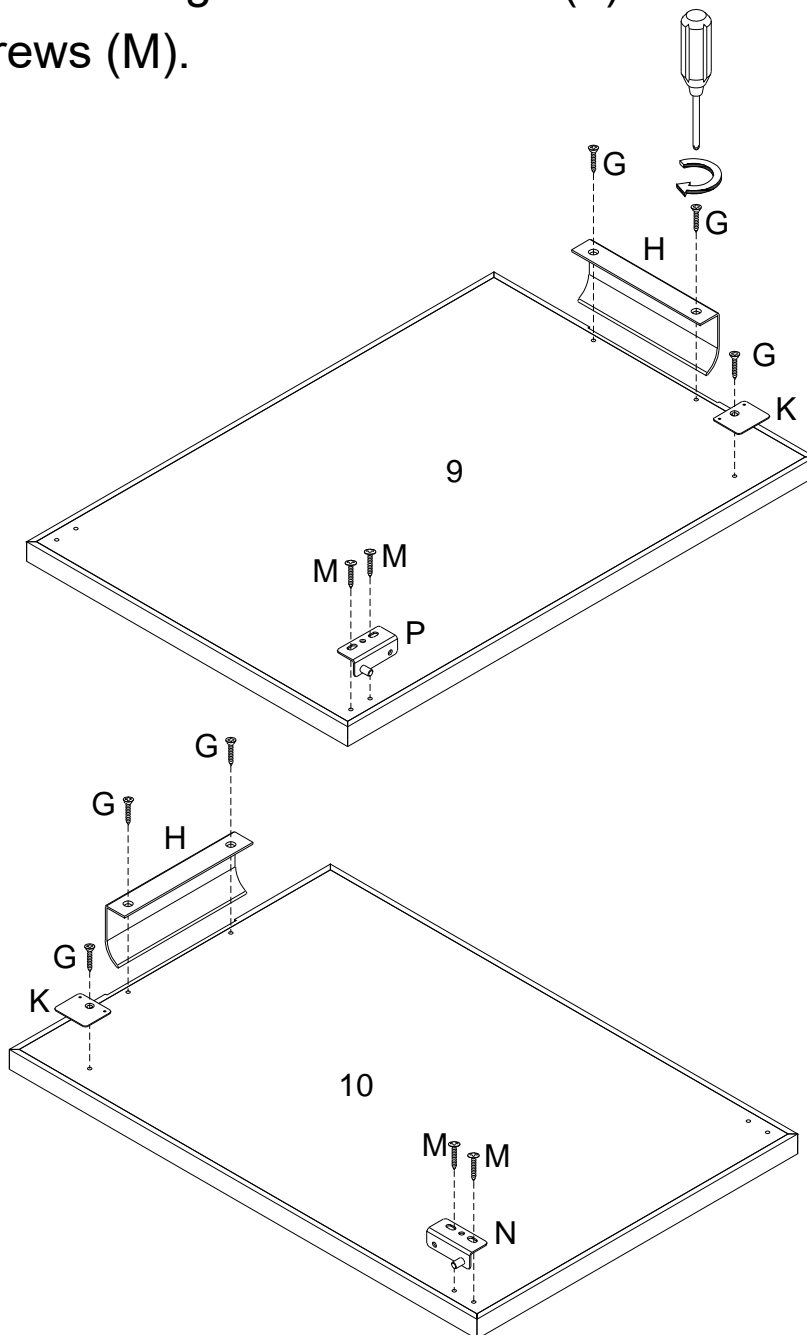
## Reinserting your Cabinet Glides together

Line up the Drawer Member so it is inside the guides of the Cabinet Member. Once the connection is made, push the drawer into place entirely. It may not be a smooth glide on your first try, but will improve after it's fully inserted.



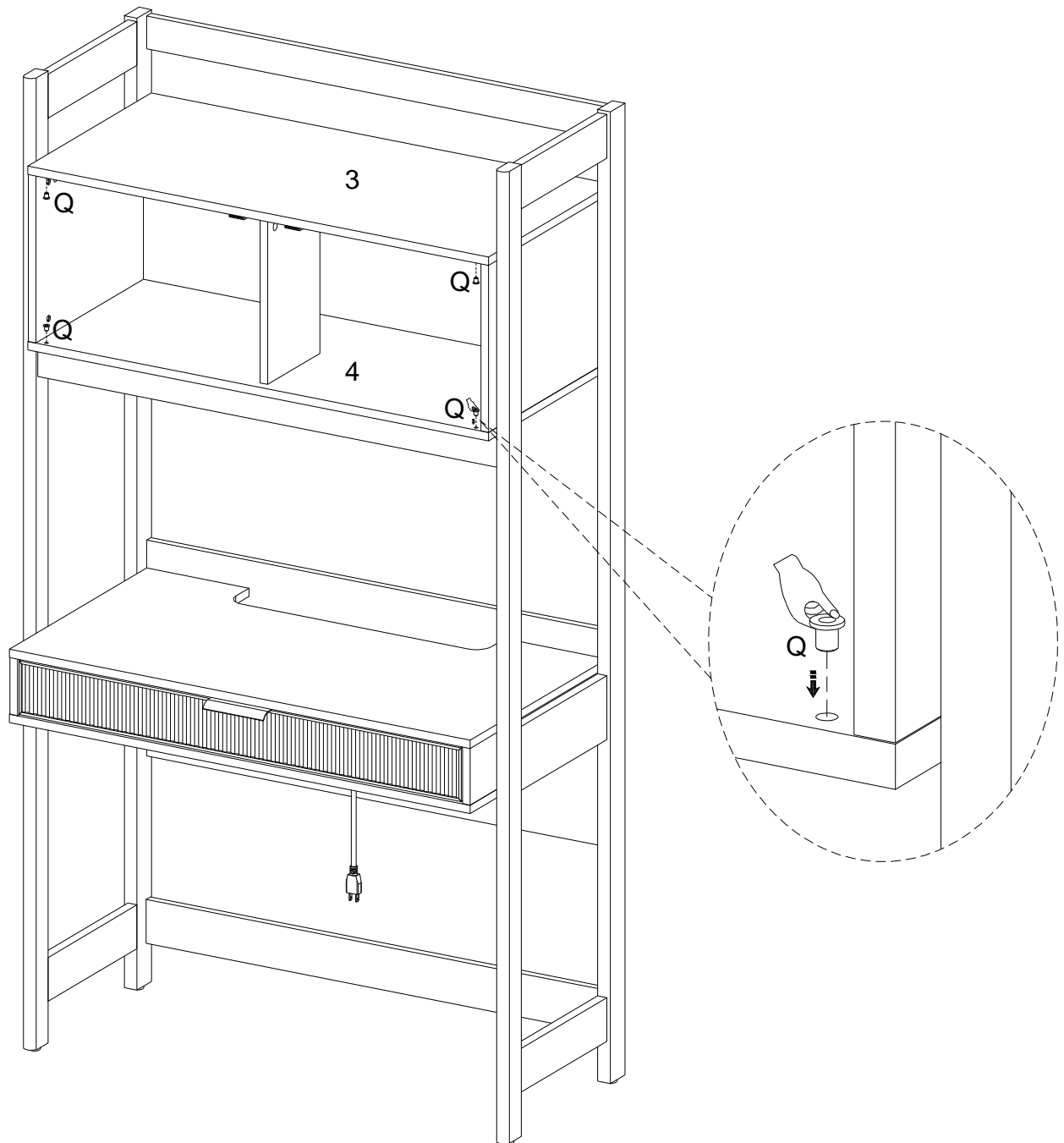
# Step 23

You're so close now. Let's attach the cabinet doors! Attach the Drawer Pulls (H) to the Left Cabinet Door (9) and the Right Cabinet Door (10) using 12mm Screws (G). Next, attach the Metal Pieces (K) to each door using the 12mm Screws (G). Then, attach the Door Hinge (P) to the Left Cabinet Door (9) and Door Hinge (N) to the Right Cabinet Door (9). Secure using 12mm Screws (M).



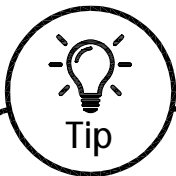
# Step 24

Insert Plastic Pivots (Q) into the Bottom Cabinet Panel (4) and Top Cabinet Panel (3).



# Step 25

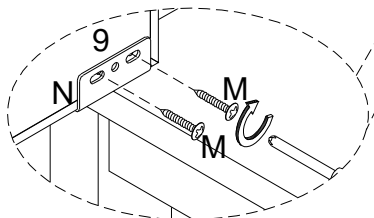
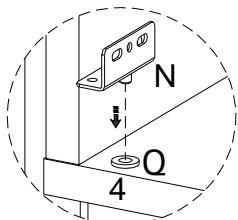
Attach upper Door Hinge (P) by inserting the hinge's pin into the Plastic Pivot (Q) on Upper Cabinet Panel (3). Next, insert the pin on Door Hinge (N) into the Plastic Pivot (Q) on Lower Cabinet Panel (4). With pin in place, attach Door Hinge (N) to Left Cabinet Door (9) using 12mm Screws (M).



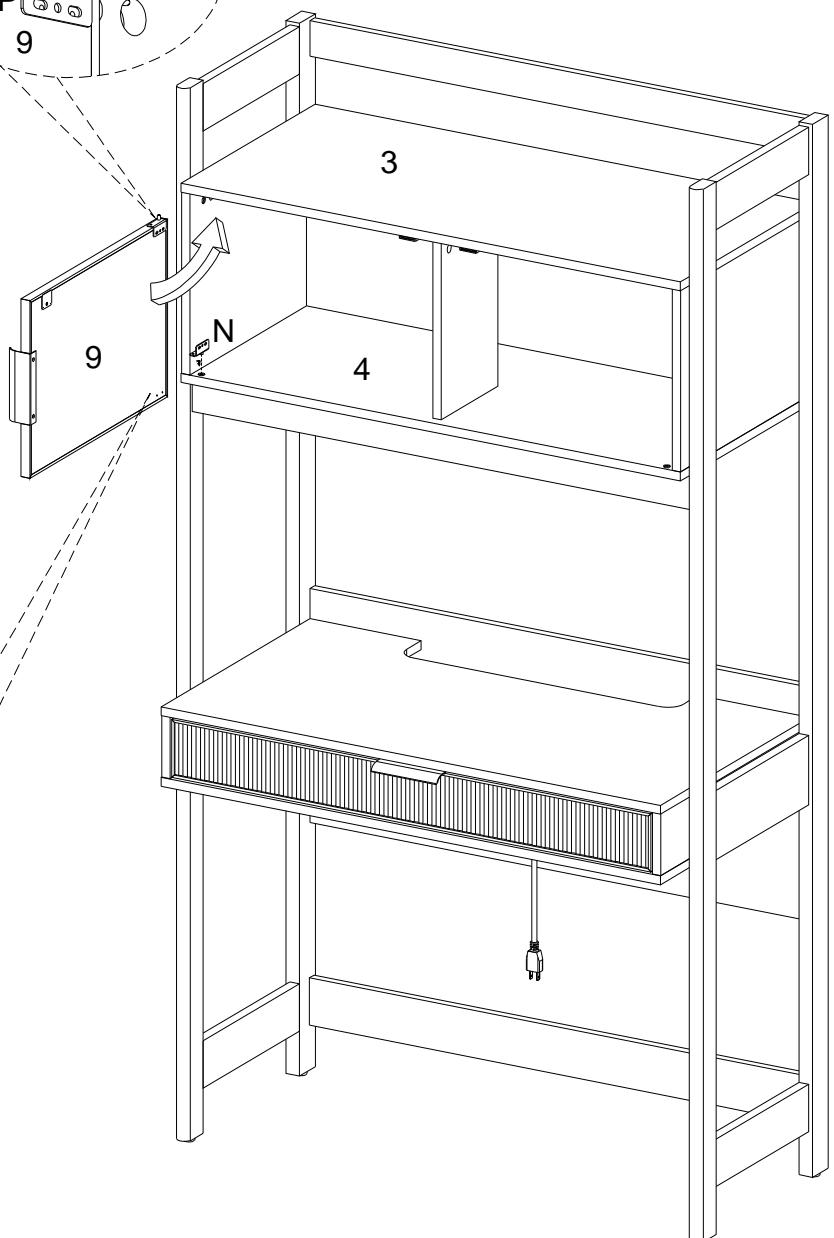
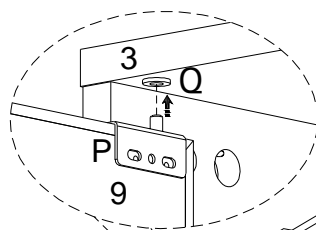
Tip

## Connecting Hinges

The upper Door Hinge will be attached to the top of the Cabinet Door. The lower Door Hinge must attach to the Plastic Pivot inside the cabinet before being attached to the Cabinet Door.

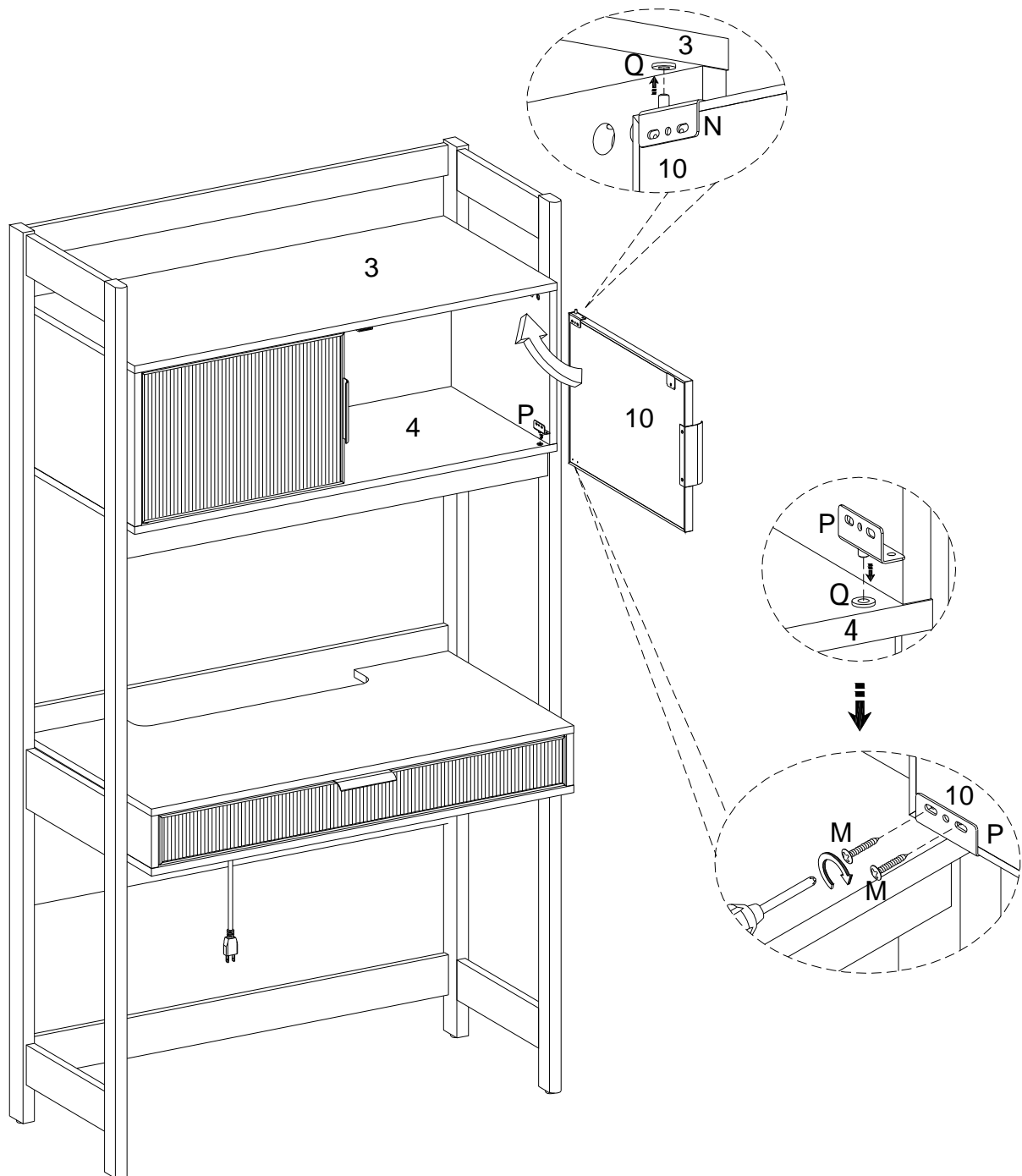


Insert the pin on the lower Door Hinge into the Plastic Pivot, then attach hinge to the cabinet door.



# Step 26

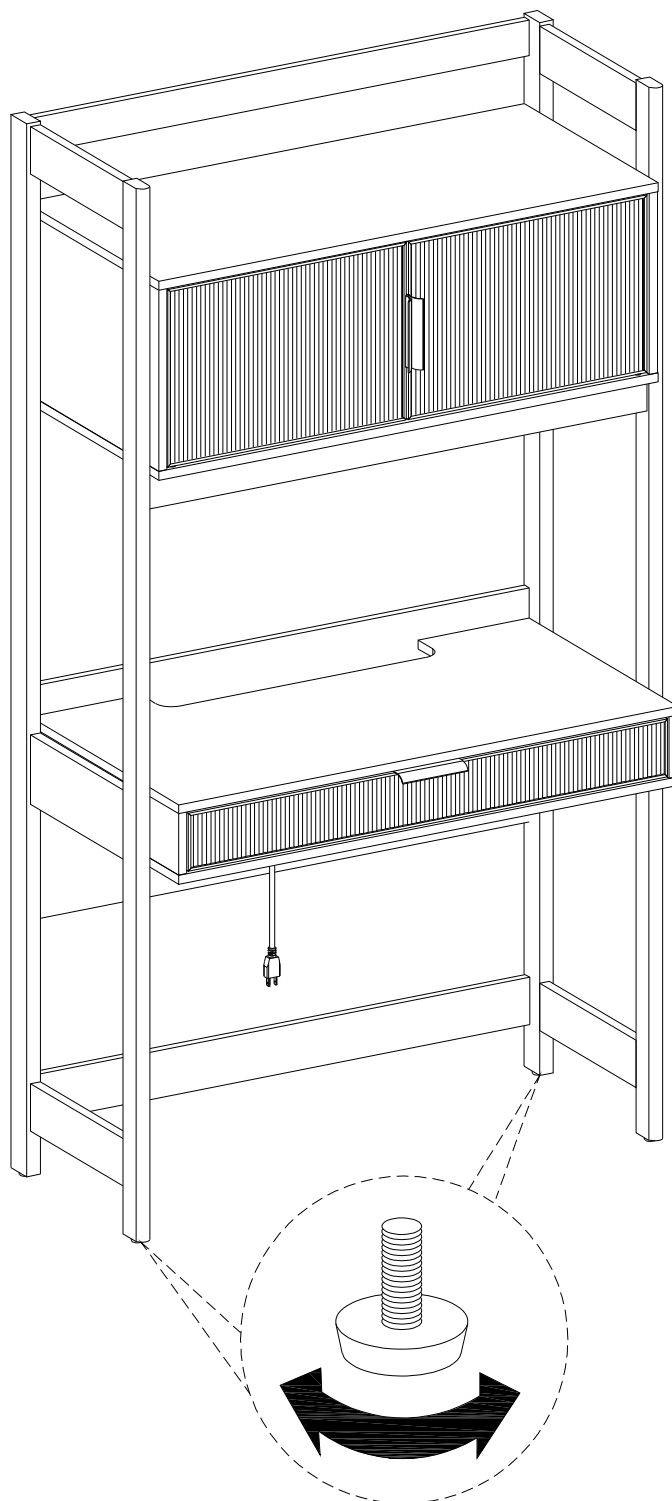
Repeating the same process, attach upper Door Hinge (N) by inserting the hinge's pin into the Plastic Pivot (Q) on Upper Cabinet Panel (3). Next, insert the pin on Door Hinge (P) into the Plastic Pivot (Q) on Lower Cabinet Panel (4). With pin in place, attach Door Hinge (P) to Right Cabinet Door (10) using 12mm Screws (M).





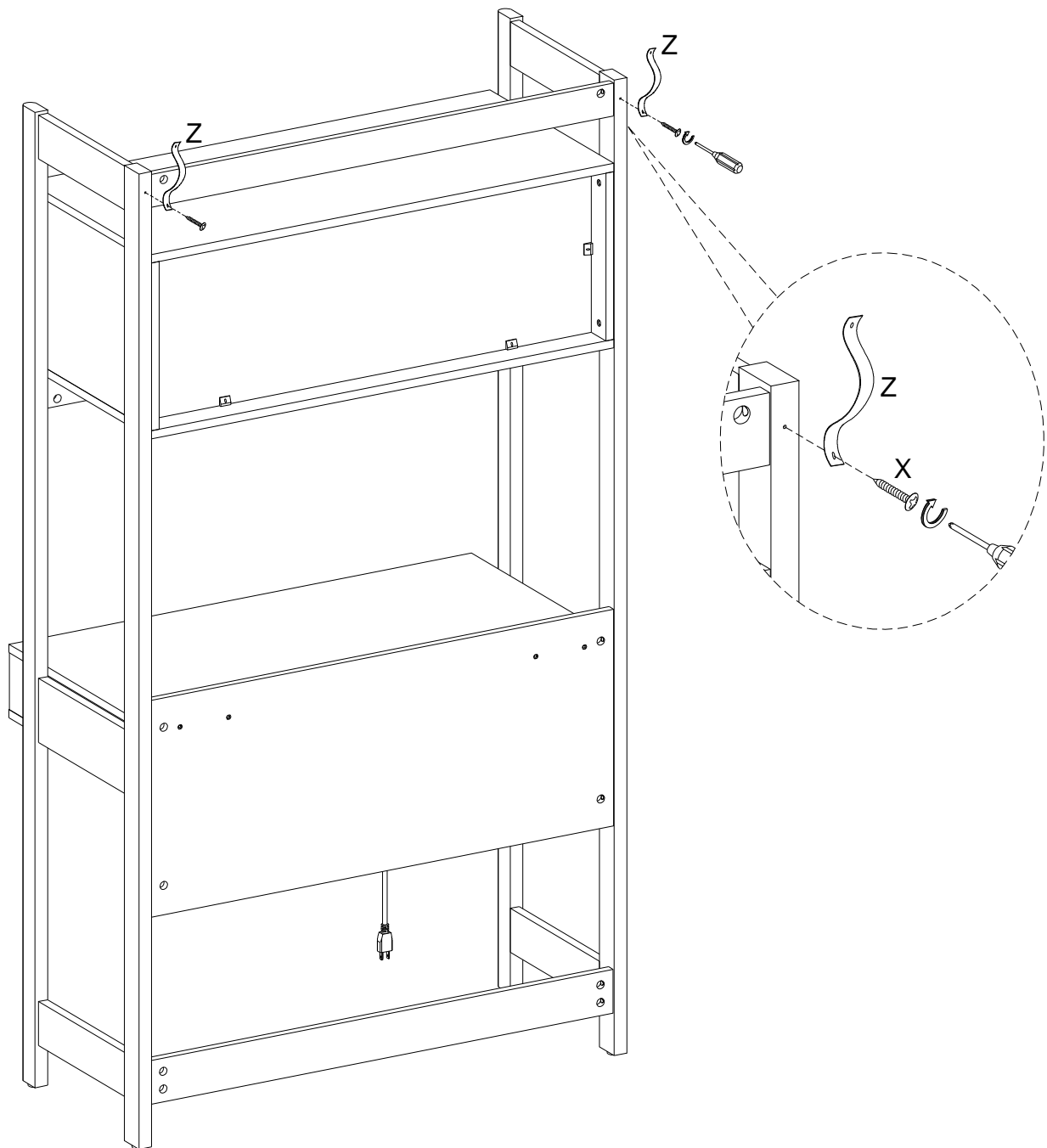
# Step 27

Use the adjustable feet to create a level writing surface.



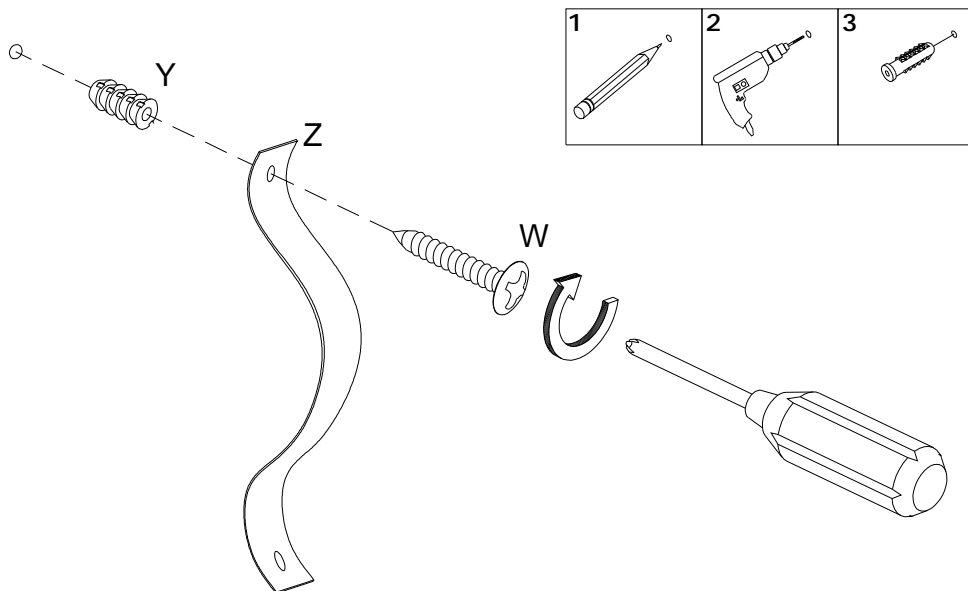
# Step 28

Great work, you're in the home stretch. Let's secure your bookcase to the wall. Attach the Plastic Strip (Z) to your bookcase using the 12mm Screw (X).



# Step 29

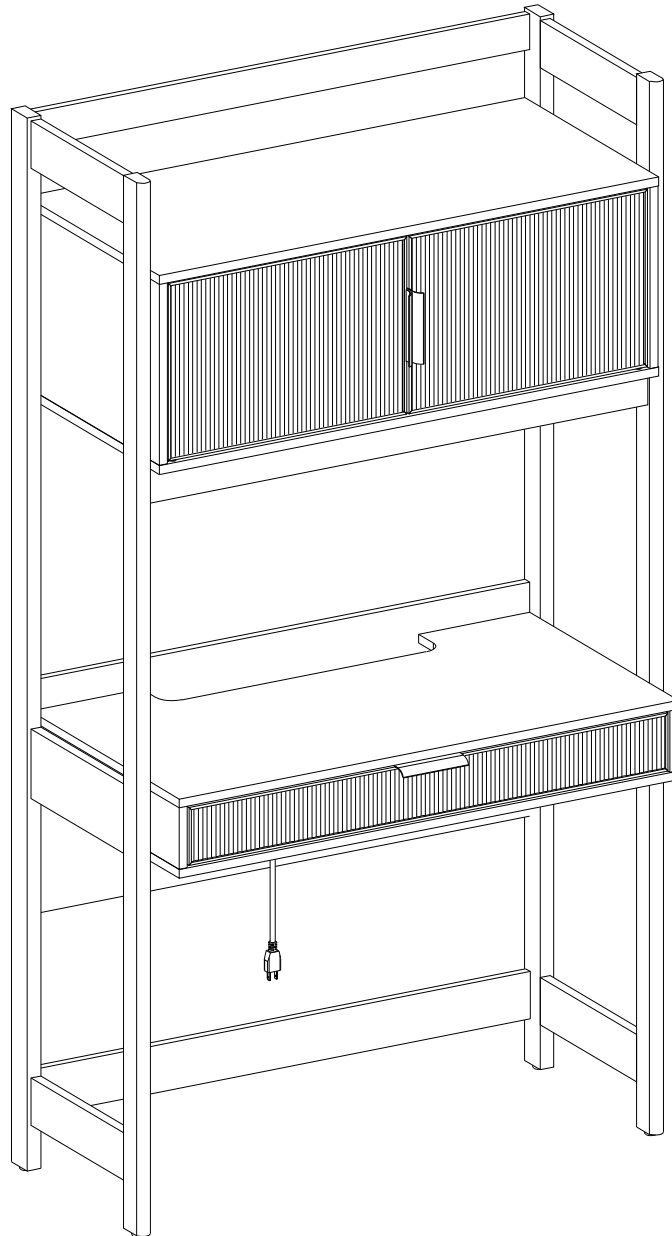
Insert the Wall Anchor (Y) into the wall. Next, secure the Plastic Strip (Z) to the wall using the 25mm Screw (W).



## Warning

Serious or fatal injuries can occur from furniture tipping over. To prevent the furniture from tipping over we recommend that it is permanently fixed to the wall. Wall anchor and hardware are included with this product. Please make sure hardware is suitable for your walls before installing, as different wall materials may require different types of anchors.

# Final Assembly



**Congratulations on your new piece of furniture!**

**We would love to hear about it and see it.  
Please leave us a review or post a picture with  
#mywalkerredisonhome**

# Assembling furniture can be tricky sometimes.

Our customer service team, located in Utah, is here for product information, help assembling a product, or for any other customer support issue

Call us at **801-433-3008**

Email us at [service@walkeredison.com](mailto:service@walkeredison.com)

Visit our Customer Service website at [walkeredison.com/pages/customer-service](http://walkeredison.com/pages/customer-service)

We are available to help Monday -Thursday 8am-5pm, Friday 8am-3pm MST

For details on Assembly Videos, Assembly Instructions, Replacement Parts, and Customer service,

**SCAN HERE**

