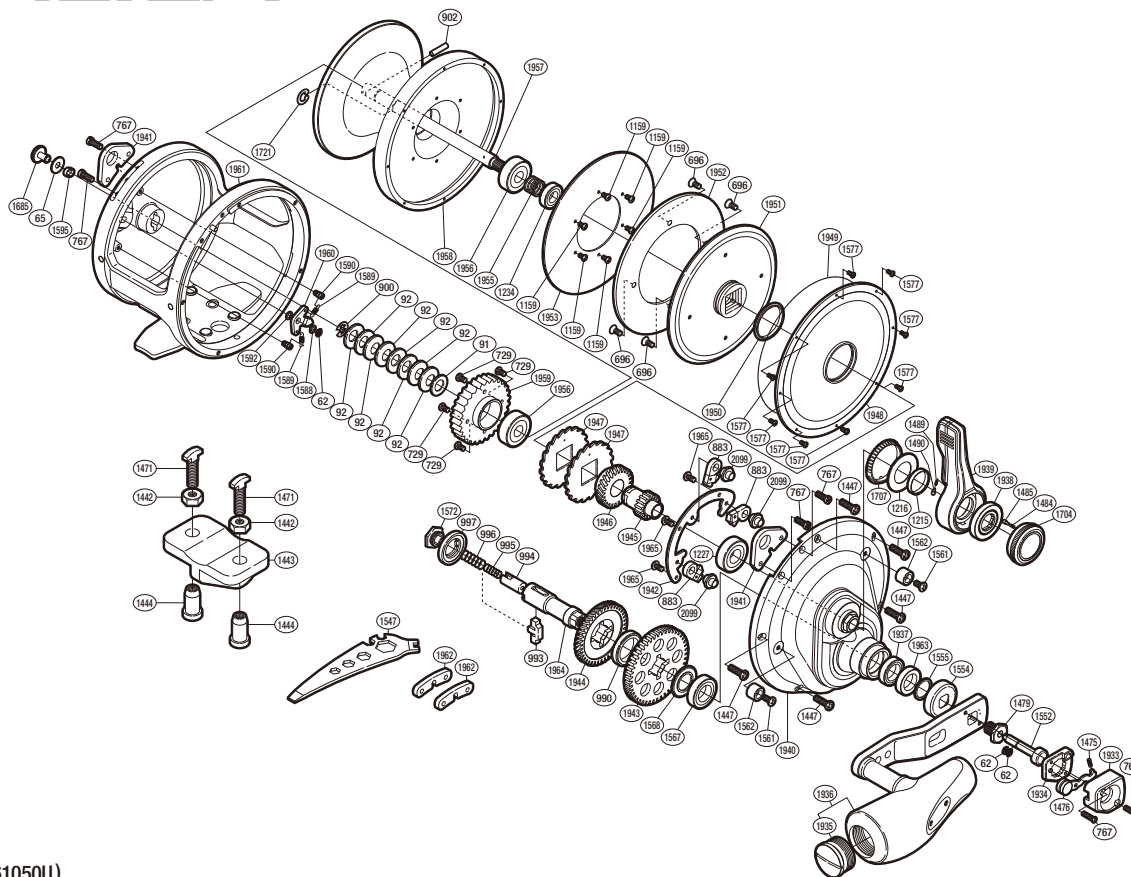


SHIMANO

TALICA

TAC-50II



(51RJ261050U)

#	Part No.	Description	#	Part No.	Description	#	Part No.	Description
0062	105NK	E Lock	1552	109XB	Push Low Button Shaft	1944	109WY	Drive Gear B
0065	104H2	Spacer	1554	10KZS	Drive Shaft Shield	1945	10A7P	Pinion Gear A
0091	104L5	Bearing Thrust Washer	1555	10G9V	Washer	1946	10N9P	Pinion Gear B
0092	1052E	Coned Disc Spring	1561	10M6J	Screw	1947	10DAQ	Anti-Reverse Ratchet
0696	10ML5	Screw	1562	10CAC	Bolt Shield	1948	104R4	Cooling Shield
0729	103E9	Screw	1567	10KXA	Ball Bearing	1949	10E24	O Ring
0767	10M6X	Screw	1568	10D5Z	Drive Gear Washer	1950	10EYP	Waterproof Ring
0883	10MWC	Anti-Reverse Pawl	1572	10FCD	Drive Shaft Screw	1951	10HUW	Pinion Guard
0900	105RZ	E Lock	1577	10PRU	Screw	1952	10G3Q	Drag Plate
0902	10MCU	Cross Pin	1588	10GA5	Spacer	1953	10G3V	Drag Washer
0990	10D61	Friction Washer	1589	104B0	Click Pawl Spring	1955	10CCS	Pressure Plate Spring
0993	10KXH	Gear Select Cross Bar	1590	108W4	Click Spring Shaft	1956	10BMF	Ball Bearing
0994	10KXL	Cross Bar Stop	1592	10GA6	Spacer	1957	10FG1	Spool Shaft
0995	109VM	Drive Shaft Spring B	1595	104MS	Click Switch Cam	1958	10H1T	Spool
0996	10KXQ	Drive Shaft Spring	1685	104GZ	Click Button	1959	104F4	Click Gear
0997	10D5B	Friction Washer	1704	108FA	Pre-Program Dial	1960	10GQY	Click Pawl
1159	10MT0	Screw	1707	10F6C	Lever Click Gear	1961	10KES	One-Piece Frame
1215	108DP	Lever Thrust Ring	1721	105S4	C Lock	1963	109AS	Drive Gear Bushing
1216	10G6G	Washer	1933	109XH	Push Button Shield	1964	10D6P	Drive Shaft
1227	104JP	Ball Bearing	1934	10PBP	Handle Bolt Plate	1965	1055F	Screw
1234	10KXE	Ball Bearing	1935	10EU1	Handle Knob Bushing	2099	10PFS	Anti-Reverse Pawl Pin
1447	10MBL	Screw	1936	102VR	Handle Assembly			
1475	10PWJ	Slide Plate Spring	1937	108PH	Ball Bearing	1442	10JCG	Rod Clamp Nut B (Accessory)
1476	10NL8	Slide Plate	1938	10CCC	Lever Shaft Body	1443	10J9P	Rod Clamp (Accessory)
1479	106XP	Handle Bolt	1939	108BG	Drag Control Lever	1444	10JC3	Rod Clamp Nut A (Accessory)
1484	10K07	Click Spring	1940	109G7	Right Side Plate	1471	10J9W	Rod Clamp Bolt (Accessory)
1485	10JX6	Click Pin	1941	10PYJ	Harness Lug			
1489	10C3X	Lever Click Shoe	1942	10KVH	Anti-Reverse Pawl Keeper	1547	10MJ8	Wrench (Accessory)
1490	10C3V	Lever Click	1943	10QNR	Drive Gear A	1962	10AAB	Harness Lug Plug (Accessory)

Please note that the number of adjusting washers may not be the same as shown in the exploded views.
(Adjustment will vary with each individual product.)

(240227)_006