

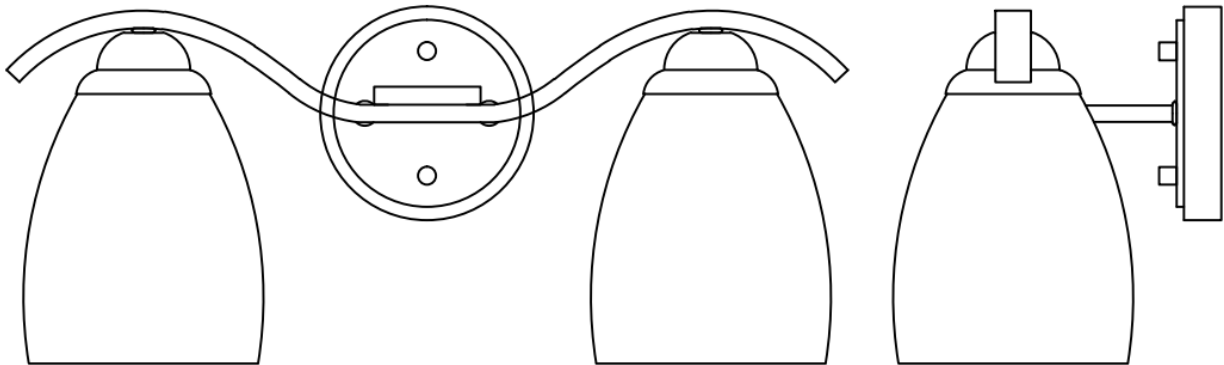
**TEAMSONHOME**

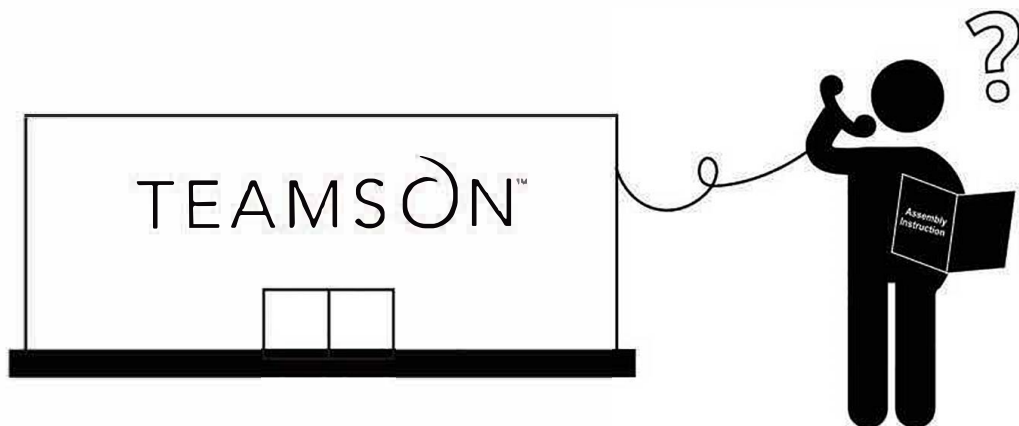
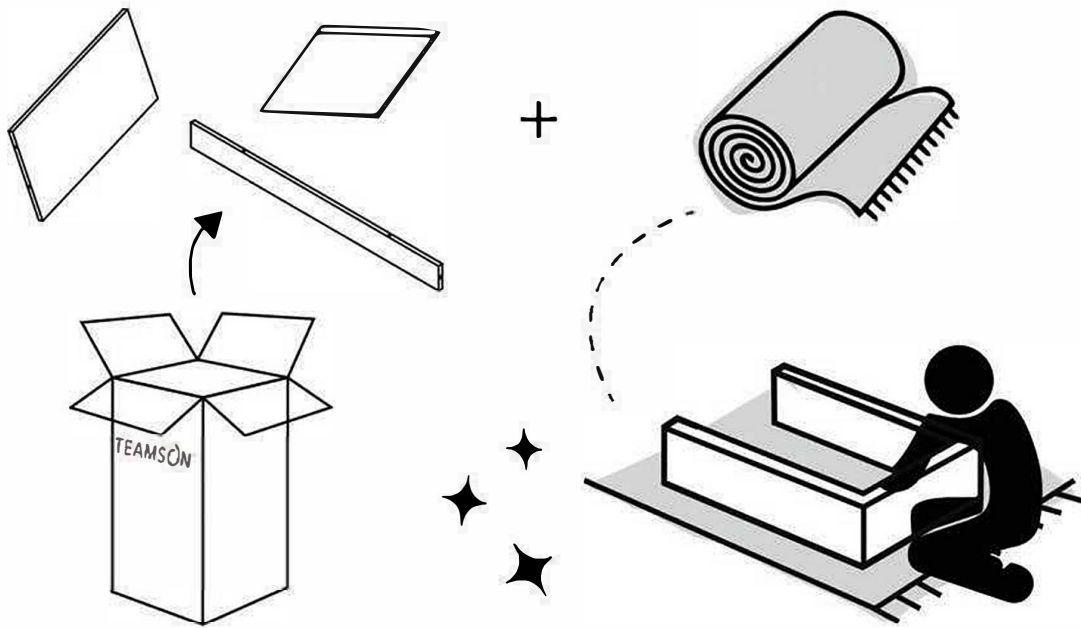
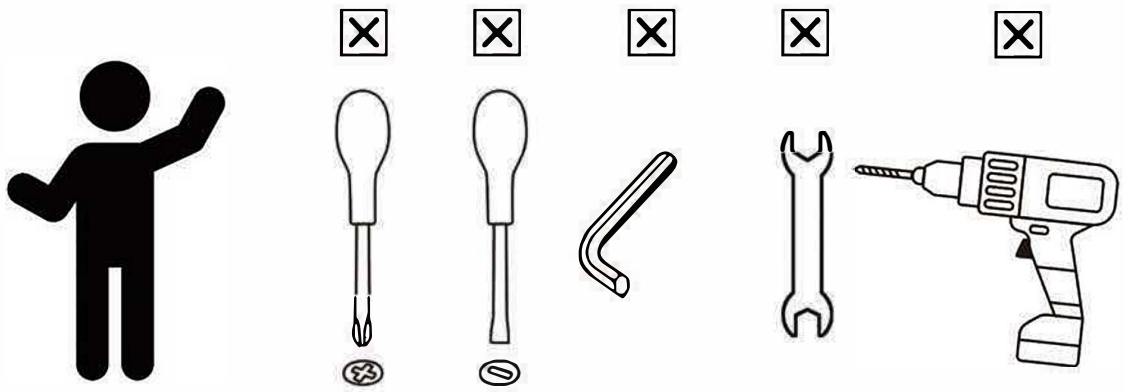
**Heidi Dimmable**

**2-Light Bathroom Vanity Light**

**VN-L00078**

**TIME SAVER!**  
3D Interactive Instruction





\*\* Got questions? Please have your product code (on the first page of this instruction, e.g. TD-12345A) and the order number ready, give us a call or email us through our customer care support! We are always ready to assist you!

# TEAMSON HOME



Warranty sign up

[www.teamsonhome.com](http://www.teamsonhome.com)

**Serving you well gives us great joy!**

**USA . . . . . +1(800)935-3959**

Mon - Fri 10:00am ~ 2:00pm EST

✉ [support@teamson.com](mailto:support@teamson.com)

**EU/UKCA... +44(0)1952-916-050**

Mon - Thu 9:00am ~ 5:00pm GMT

Friday 9:00am ~ 4:00pm GMT

✉ [support@teamson.co.uk](mailto:support@teamson.co.uk)

If the external flexible cable or cord of this luminaire is damaged, it shall be exclusively replaced by [teamson.uk](http://teamson.uk) or a similar qualified person in order to avoid a hazard.

**ASIA..... 深圳办公室:**

**+86(0755)8885-3558.分机号108**

Mon - Sat 9:00am ~ 5:00pm GMT+8

✉ [sales\\_ec@teamson.com](mailto:sales_ec@teamson.com)

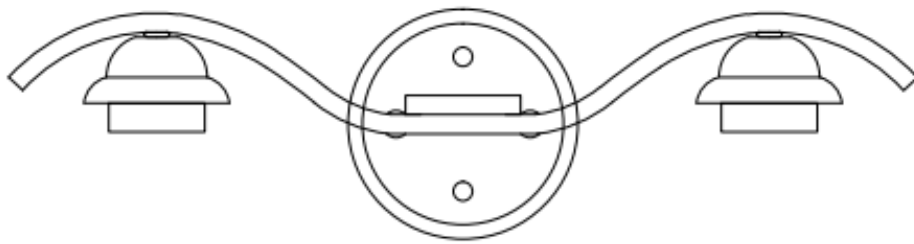
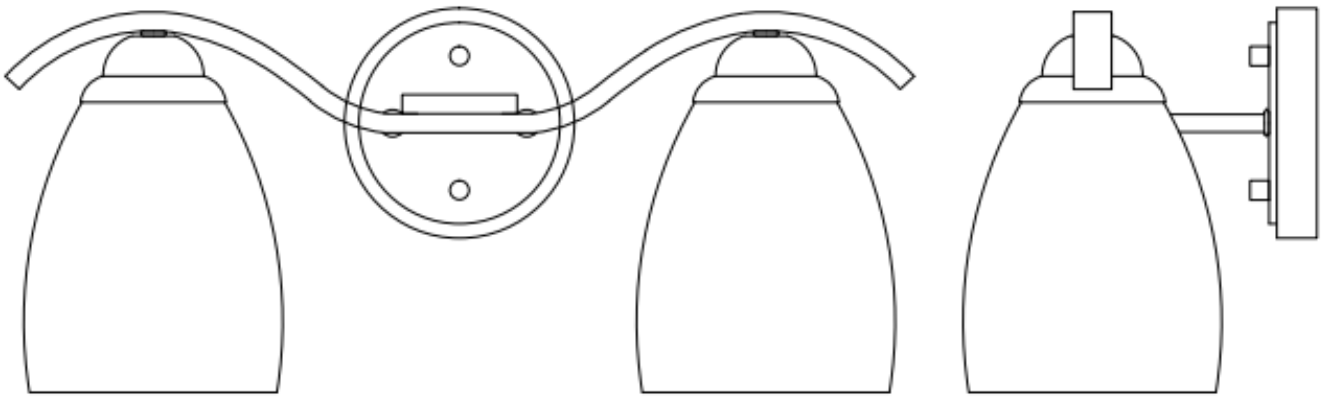
台北办公室:

**+886(2)2556-6268**

Mon - Fri 9:00am ~ 5:00pm GMT+8

✉ [sales\\_ec@teamson.com](mailto:sales_ec@teamson.com)

**Thank you for choosing Teamson Home**



Fixture body

Ⓐ x1PC



Mounting plate

Ⓑ x1PC



Finial nuts

Ⓒ x2PCS



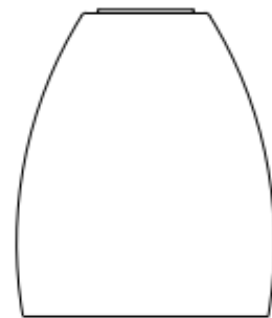
Mounting Screws

Ⓓ x2PCS



Wire connector

Ⓔ x3PCS



Glass shade

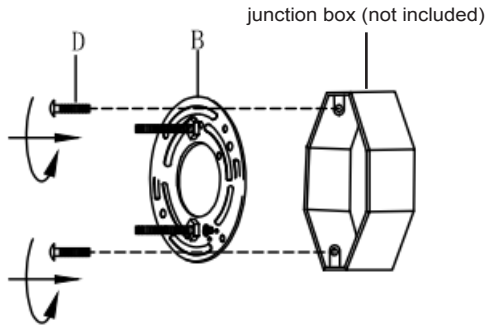
Ⓕ x2PCS



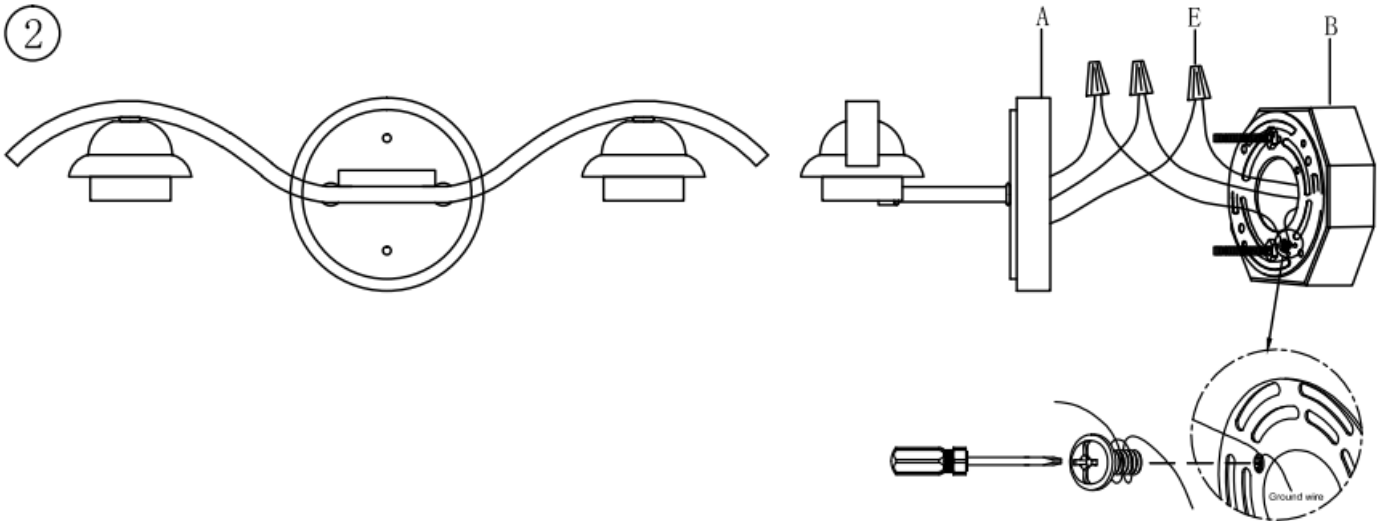
**Questions?**

Scan Here

1



2



Questions?  
Scan Here

### ▲ Care Instructions

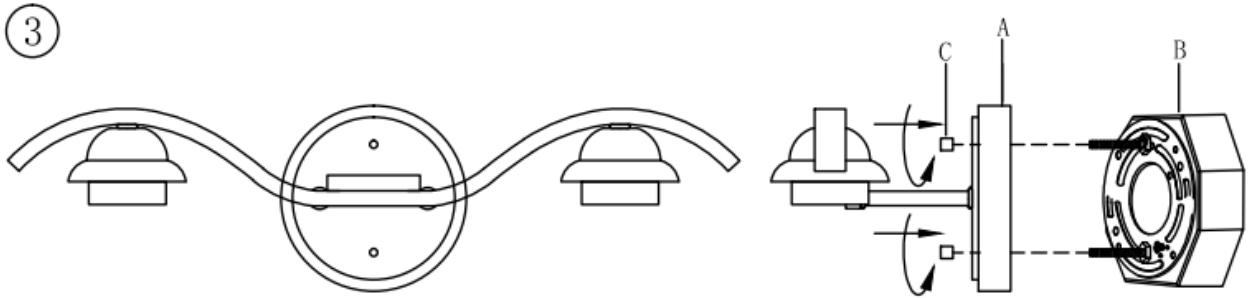
Dust surface with a dry soft cloth.

Do not use window cleaners or cleaning abrasives as they will scratch the surface and could damage the protective coating

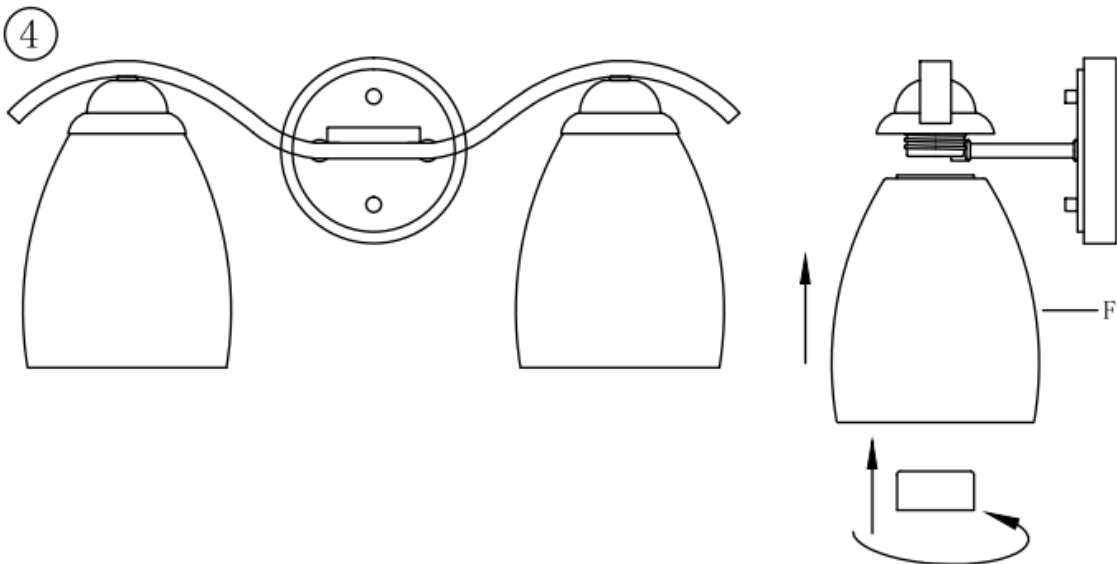
### ▲ WARNING

Small parts and sharp edges may be present prior to assembly.

3



4



Dimmable LED bulb requested: not included

### Important safety instructions

If you are unsure about your ceiling/wall type or what mounting method you should use, please consult with a qualified professional or your local hardware store.

We recommend installation of this wall lamp by a licensed electrician



Questions?  
Scan Here