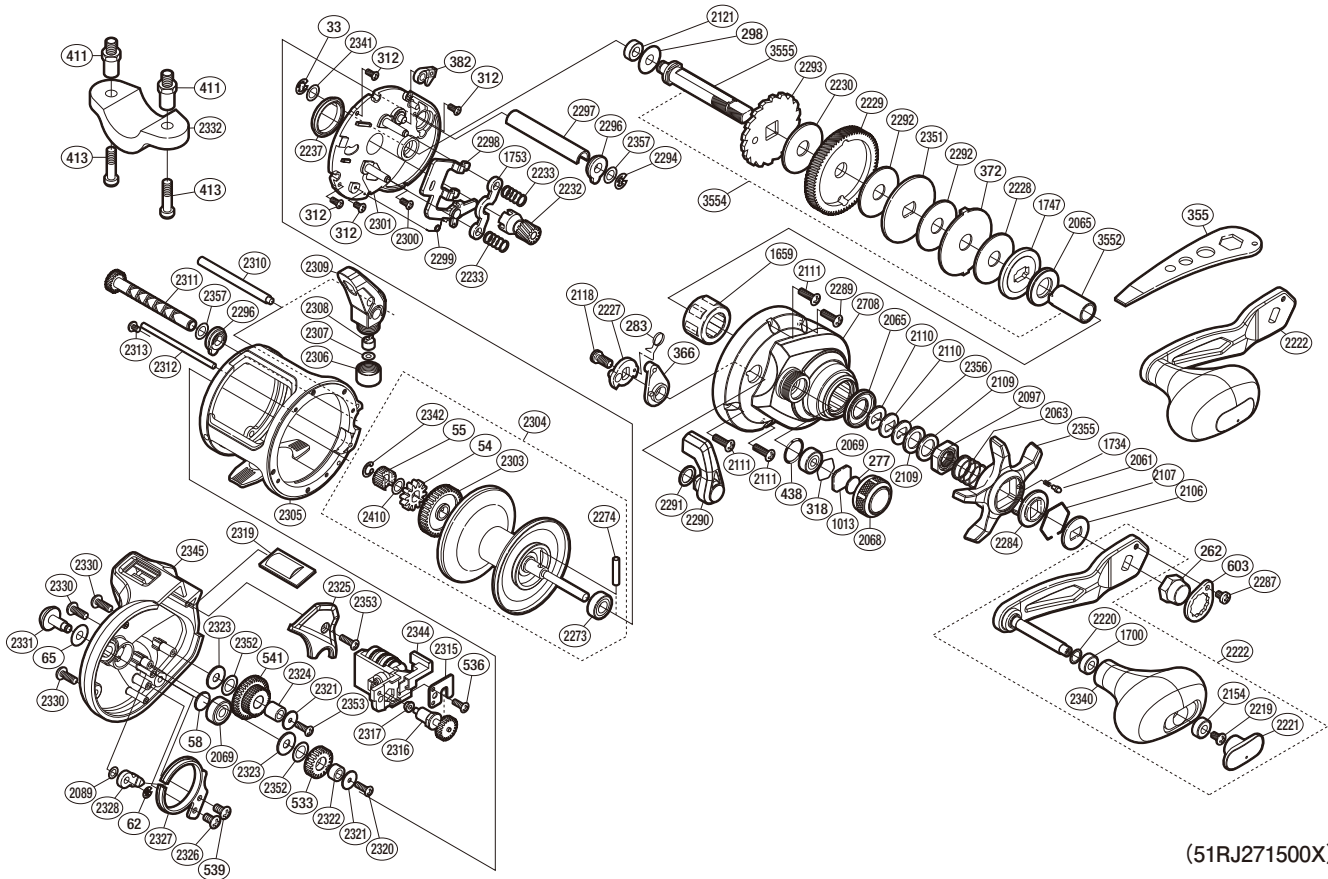


SHIMANO

TEKOTA

TEK500HGLCA



(51RJ271500X)

#	Part No.	Description	#	Part No.	Description	#	Part No.	Description
33	105NG	E Lock	2118	10MFB	Screw	2312	10T85	Stabilizer Bar B
54	104EX	Click Gear	2121	10MAT	Drive Shaft Bushing	2313	10MPD	Screw
55	10J7E	Idle Gear A	2154	10EU0	Handle Knob Bushing A	2315	100H8	Counter Frame Plate
58	10GEU	Spacer B	2219	10LFA	Screw	2316	10T88	Counter Gear Assembly
62	105NK	E Lock	2220	10HEP	Washer	2317	10CYA	Bushing
65	104H2	Spacer A	2221	101B8	Handle Knob Seal	2319	10S8X	Counter Lens Assembly
262	10FT1	Handle Nut	2222	10DHY	Handle Assembly	2321	10DT6	Idle Gear B Spacer B
277	10896	Cast Control Spacer	2227	10TX9	Clutch Cam Assembly	2322	101JJ	Idle Gear B Support
283	10JYU	Clutch Spring	2228	101BA	Drag Washer D	2323	101JK	Idle Gear B Spacer A
298	10588	Washer	2229	101KA	Drive Gear	2324	1026K	Idle Gear D Support
312	10MPP	Screw	2230	1025A	Drag Washer A	2325	100GL	Left Side Plate Seal
318	10GGM	Bearing Retainer	2232	10DJA	Pinion Gear	2326	103KS	Screw
366	10L2B	Eccentric Cam Bushing	2233	101MH	Yoke Spring	2327	10T7W	Click Spring
372	10KQH	Eared Washer (E)	2237	101B3	Frame Center Seal	2328	10T84	Click Pawl
382	10MW8	Anti-Reverse Pawl	2273	108PE	Ball Bearing	2330	10L6D	Screw
438	108WK	O Ring	2274	10MGR	Spool Clutch Pin	2331	100GQ	Click Button
533	10NXF	Idle Gear B	2284	10J26	Star Drag Click Plate	2340	10T8A	Handle Knob
536	103BY	Screw	2287	10LLU	Screw	2341	10T89	Washer
539	10QG5	Screw	2289	10L6A	Screw	2342	10KHN	Idle Gear Retainer
541	10NXK	Idle Gear D	2290	1010E	Clutch Lever Unit	2344	10117	Counter Unit Assembly
603	10LMC	Handle Nut Plate	2291	10272	Smoother	2345	10T82	Left Side Plate
1013	1085F	Spool Tension Spacer	2292	1025L	Drag Washer (B)	2351	101KH	Key Washer (C)
1659	10F37	Roller Clutch Bearing	2293	10A2Q	Anti-Reverse Ratchet	2352	10AG4	Washer
1700	104UJ	Handle Knob Bushing	2294	10KHG	E Lock	2353	103C5	Screw
1734	10BT2	Click Spring	2296	100GP	Worm Bushing A	2355	10176	Star Drag
1747	10D56	Pressure Plate	2297	100H4	Level Wind Guard	2356	109F5	Washer
1753	10484	Yoke	2298	10271	Clutch Plate Assembly	2357	101V7	Washer
2061	10MFC	Click Pin (B)	2299	10T46	Clutch Pawl Spring	2410	10S0Q	Washer
2063	10A70	Star Drag Spring	2300	10MT5	Screw	2708	10SUR	Right Side Plate Assembly
2065	10C69	Roller Clutch Water Proof	2301	10273	Right Side Plate Set Assembly	3552	10DH4	Roller Clutch Inner Tube
2068	10JWV	Cast Control Cap	2303	100H9	Counter Gear A	3554	10RV7	Drive Shaft Inner Tube Set
2069	10KAF	Ball Bearing	2304	10T86	Spool Assembly	3555	10DH3	Drive Shaft
2089	10GHP	Washer	2305	100GR	Frame			
2097	10A3X	Star Drag Nut	2306	100GB	Pawl Cap	411	1046R	Rod Clamp Nut (Accessory)
2106	107QN	Drive Shaft Shield	2307	10TAT	Washer	413	10A7C	Rod Clamp Bolt (Accessory)
2107	10KXW	Click Plate Retainer	2308	10BHQ	Line Guide Pawl	2332	10EUN	Rod Clamp (Accessory)
2109	10J1P	Star Drag Spacer	2309	100GM	Line Guide Pawl Holder Assembly			
2110	109LA	Coned Disc Spring (8h)	2310	100GN	Stabilizer Bar A			
2111	10L6L	Screw	2311	10T83	Worm Shaft Unit	355	13X98	Wrench (Accessory)

Please note that the number of adjusting washers may not be the same as shown in the exploded views.
(Adjustment will vary with each individual product.)

(230713)_013