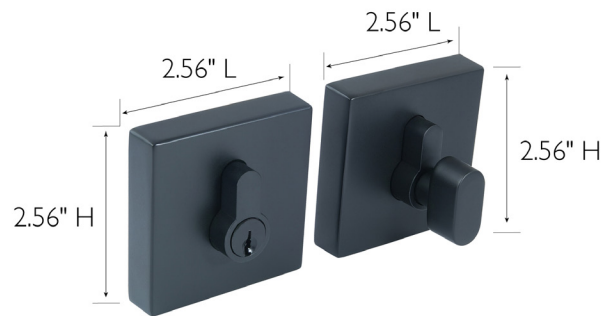


## Emblem Square Single Cylinder Deadbolt Matte Black



### SPECIFICATIONS

<b>MATERIAL CONSTRUCTION:</b>	Zinc	<b>KEYWAY:</b>	KW
<b>LOCK FUNCTION:</b>	Deadbolt	<b>REMOVABLE CORE:</b>	No
<b>DEADBOLT FUNCTION:</b>	Single Cylinder	<b>LATCH BACKSET:</b>	Adj, 2-3/8" - 2-3/4"
<b>EXTERIOR MAX PROJECTION:</b>	0	<b>LATCH TYPE:</b>	2 Way (fixed faceplate)
<b>INTERIOR MAX PROJECTION:</b>	0	<b>LATCHBOLT THROW DISTANCE:</b>	1
<b>ROSE DIMENSIONS:</b>	2.56" H x 2.56" W	<b># PINS IN CYLINDER:</b>	5
<b>ROSETTE / ESCUTCHEON SHAPE:</b>	Square	<b>ANTI-BUMP PIN INSTALLED:</b>	Yes
<b>CROSS BORE:</b>	2.13"	<b># KEYS INCLUDED:</b>	2
<b>EDGE BORE:</b>	1"	<b>SPINDLE TYPE:</b>	Deadbolt
<b>HANDING:</b>	Reversible	<b>MOUNTING HARDWARE INCLUDED:</b>	Yes
<b>REKEYABLE?:</b>	Yes	<b>TOOLS NEEDED FOR INSTALLATION:</b>	Screwdriver
		<b>ASSEMBLED WEIGHT:</b>	1.38 lbs.

<b>WARRANTY:</b>	5-Year limited warranty
<b>ANSI CERTIFICATION:</b>	Grade 3
<b>BHMA GRADE:</b>	3
<b>FIRE RATED:</b>	No
<b>ADA COMPLIANT:</b>	No



<b>TYPE:</b> <b>JOB:</b> <b>ORDER CODE:</b> <b>APPROVALS:</b>
--