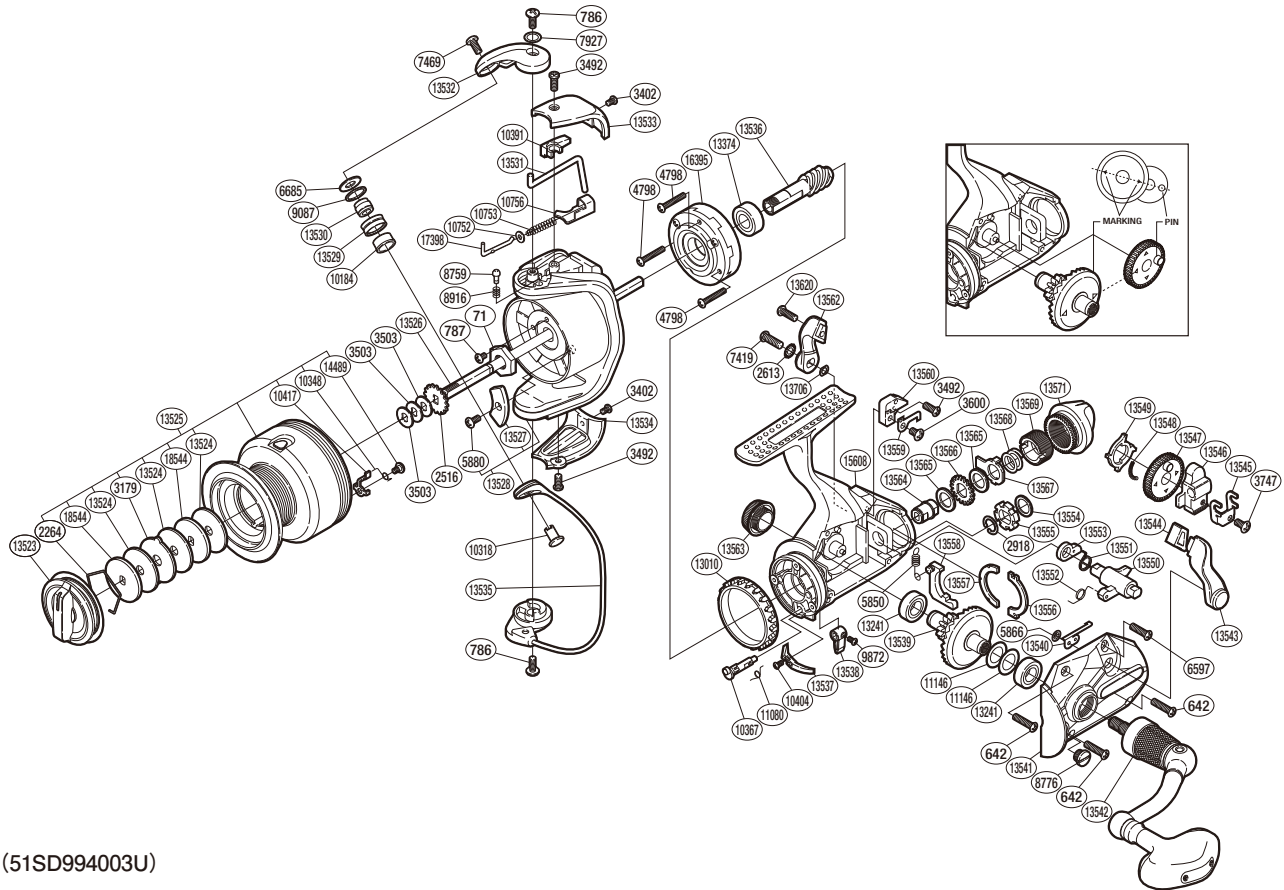


# SHIMANO

## BAITRUNNER

## BTR-4000D



(51SD994003U)

#	Part No.	Description	#	Part No.	Description	#	Part No.	Description
71	10MSQ	Rotor Nut	10404	103N2	Screw	13546	104WN	Oscillating Slider
642	10M35	Screw	10417	10PEL	Drag Click	13547	10PGP	Oscillating Gear
786	103J1	Screw	10752	10TYE	Spring Guide A Support	13548	10JVS	Oscillating Gear Ratchet Spring
787	103L6	Screw	10753	10FVD	Bail Spring	13549	10JVR	Oscillating Gear Ratchet
2264	10B8C	Drag Washers Retainer	10756	10HEB	Bail Spring Seat	13550	106MV	Clutch Arm
2516	103PA	Spool Support	11080	10DCN	Anti-Reverse Cam Spring	13551	10GMW	Clutch Cam Spring
2613	105N4	Lock Washer	11146	10JDB	Washer	13552	10N1U	Clutch Spring
2918	105S3	C Lock	13010	10D7L	Friction Ring	13553	10LYS	Clutch Cam
3179	10BE4	Eared Washer	13241	104JD	Ball Bearing	13554	106WL	Spacer
3402	103ND	Screw	13374	104Q5	Ball Bearing	13555	10POP	Baitrunner Ratchet
3492	103DC	Screw	13523	10MS6	Drag Knob	13556	106S2	Dial Retainer
3503	10BXK	Spool Washer	13524	10PEG	Drag Washer	13557	1050W	Dial Retainer B
3600	103L4	Screw	13525	10ENX	Spool Assembly	13558	10N0U	Baitrunner Pawl
3747	10LSQ	Screw	13526	10PKK	Main Shaft	13559	106RX	Dial Click
4798	103C6	Screw	13527	106G9	Counter Weight	13560	10JVT	Dial Click Holder
5850	10G75	Baitrunner Pawl Spring	13528	10P79	Rotor	13562	10NCV	Baitrunner Lever Arm R
5866	109H9	Push Nut	13529	10KUN	Line Roller	13563	10GVU	Handle Screw Cap
5880	10MT3	Screw	13530	10CZD	Line Roller Collar	13564	10MYR	Free Spool Tension Shaft
6597	10M2R	Screw	13531	10FB4	Bail Trip Lever	13565	10P2F	Free Spool Tension Washer
6685	10PK6	Line Roller Washer	13532	10JEY	Bail Arm	13566	10LMF	Click Gear
7419	10LLG	Screw	13533	10CUJ	Bail Spring Cover	13567	107CS	Eared Washer
7469	10PMJ	Screw	13534	107WP	Bail Hold Support Guard	13568	106RT	Free Spool Tension Spring
7927	10HWZ	Washer	13535	107M7	Bail Assembly	13569	106RP	Free Spool Tension Screw
8759	106UX	Click Pin	13536	10M3U	Pinion Gear	13571	10LYD	Baitrunner Tension Dial
8776	104KM	Oil Cap	13537	10D90	Bail Trip Strike	13620	10L6D	Screw
8916	10CH0	Click Spring	13538	10LR6	Anti-Reverse Lever	13706	1074X	Washer
9087	10KFE	Line Roller Spacer	13539	104K8	Drive Gear	14489	10BQG	Screw
9872	10PRU	Screw	13540	106S4	Baitrunner Click	15608	10FUE	Body
10184	10PFH	Line Roller Bushing	13541	102Q8	Side Cover	16395	10QP1	Roller Clutch Assembly
10318	10KZY	Line Roller Support	13542	105FC	Handle Assembly	17398	105LU	Bail Spring Guide A
10348	10JX9	Click Spring	13543	10G91	Baitrunner Lever Arm L	18544	10N27	Key Washer
10367	104YE	Anti-Reverse Cam	13544	106N9	Baitrunner Lever Bridge			
10391	106XW	Bail Trip Cover	13545	10JZR	Oscillating Slider Retainer			

Please note that the number of adjusting washers may not be the same as shown in the exploded views.  
(Adjustment will vary with each individual product.)

(231127)\_005