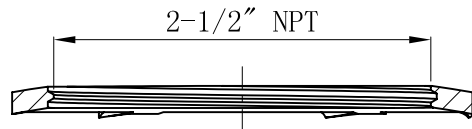
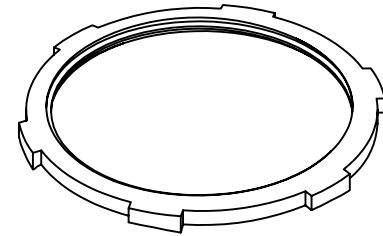
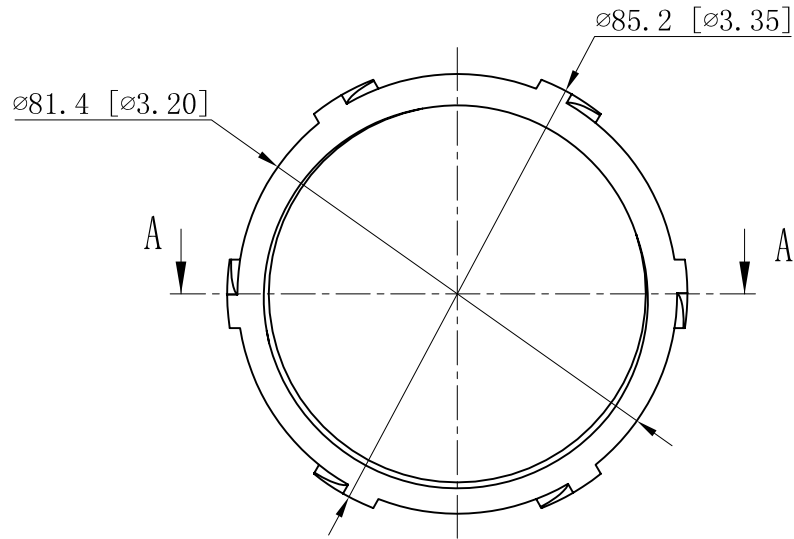


SIDES	BOTTOM
Material: Steel-0.157"-C1008~C1018, Zinc plated	



CUTAWAY VIEW A-A

This data sheet is for reference only .GARVIN INDUSTRIES reserves the right to make changes to the design without prior notice.

DESCRIPTION
TRADE REFERENCE TERMS

STANDARD PACKING
10 PCS

TITLE			REV		
GARVIN INDUSTRIES					
STEEL LOCKNUTS					
SIZE	DWG NO.				REV
A4	LN-250				
DATA SHEET					