



OC-SS-39

39-3/8" x 39-3/8" Vikrell® shower base, center drain
62051100



Features

- 1/2" (12.7 mm) threshold
- Suitable for tile-down applications
- Compatible with STERLING wall set (series 6205)
- Type A and B multifamily dwellings: Showers will comply with ICC ANSI A117.1 Standards section 1104.11.3.1.3.3 and the Fair Housing Act Accessibility Guidelines when installed per Requirement 6 (Reinforced walls for grab bars) of the Accessibility Guidelines

Material

- Made from solid Vikrell® material for strength, durability, and lasting beauty

Installation

- Center drain

Recommended Products/Accessories

- K-23726 Drain treatment
- K-23733 Vikrell® cleaner



Codes/Standards

- CSA B45.5/IAPMO Z124
- ASTM E162
- ASTM E662
- IAPMO Certification

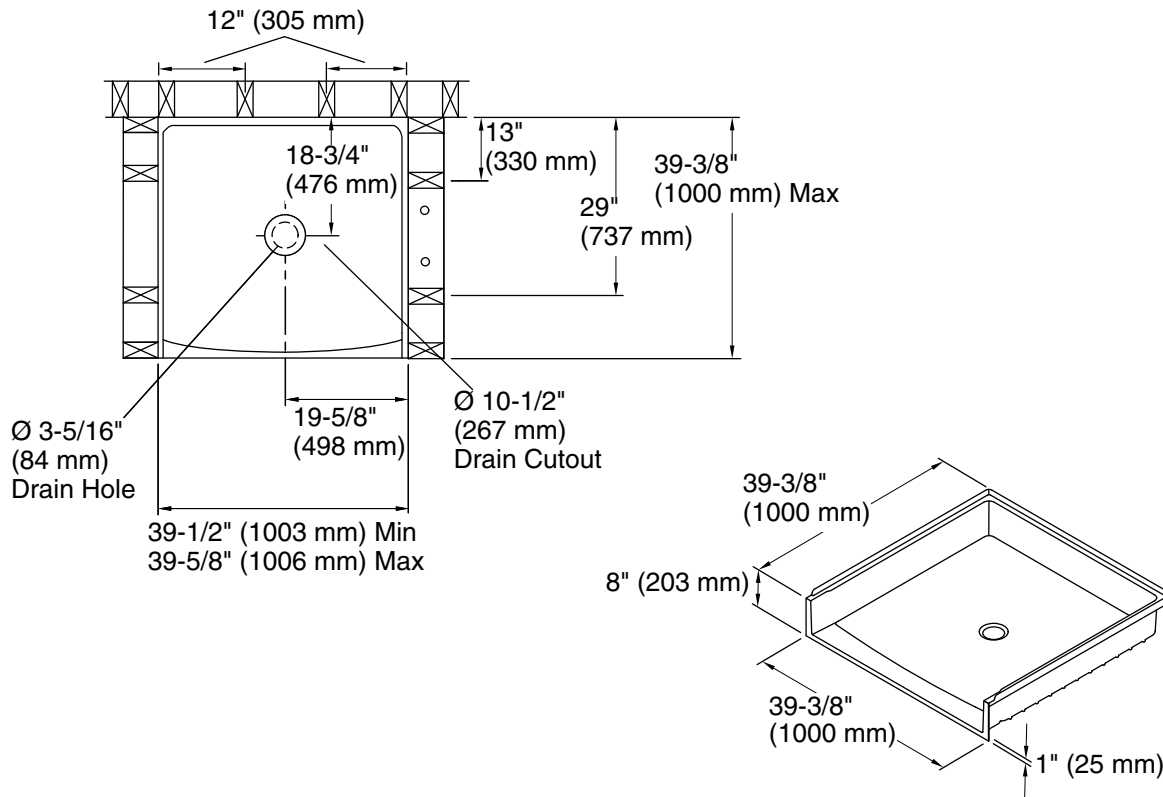
STERLING® Vikrell® or Acrylic Baths and Shower Bases Ten-Year Limited Warranty

See website for detailed warranty information.

Available Colors/Finishes

Color tiles intended for reference only.

Color	Code	Description
	0	White



Technical Information

All product dimensions are nominal.

Drain location: Center

Notes

Install this product according to the installation instructions.

1/2" minimum finished floor thickness required. Studs should be positioned roughly as shown. Drain cutout in subfloor to be 10-1/2" (267 mm) per rough-in illustration as shown to allow the backside of the drain to sit below the subfloor surface.