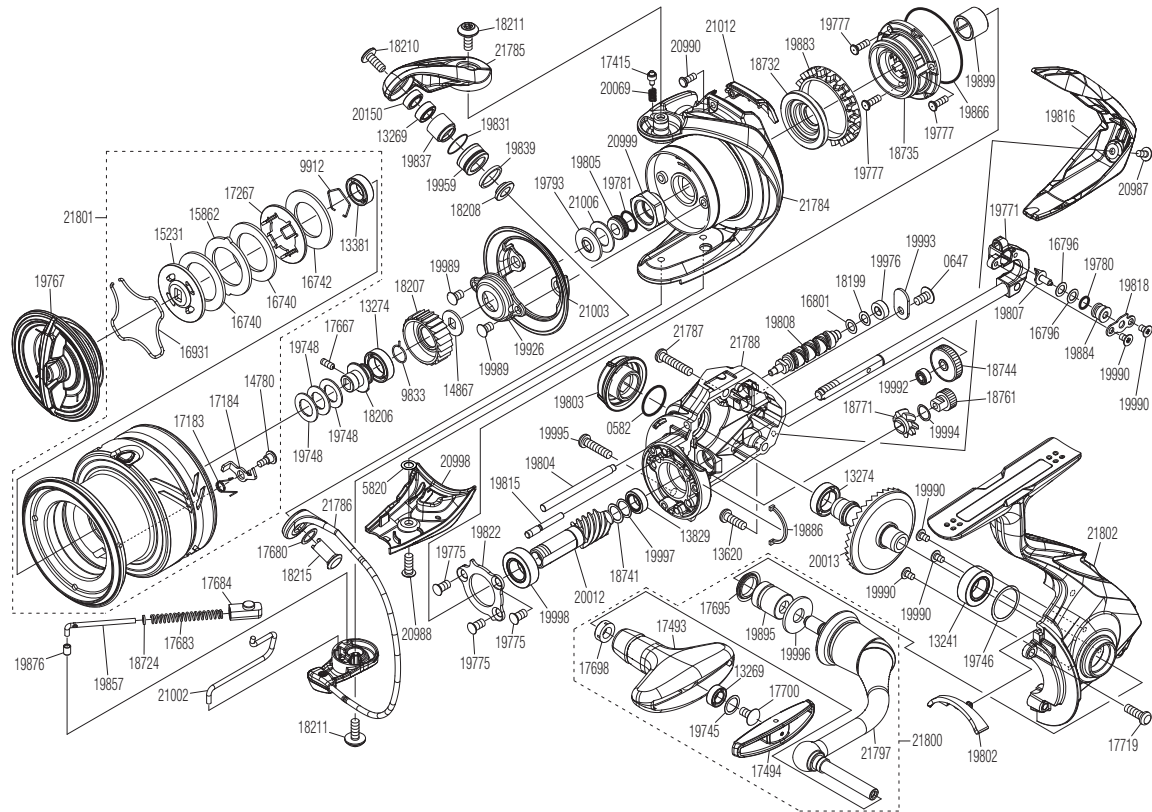


SHIMANO

SUSTAIN

SA-C3000HG



Please note that the number of adjusting washers may not always be the same as shown in the exploded views.

(51SF46E035X)

Please note that your actions take full responsibility when you take it apart.

#	Part No.	Description	#	Part No.	Description	#	Part No.	Description
0582	108WH	O Ring	18724	101D9	Spring Guide A Collar	19989	103GW	Screw
0647	10QG5	Screw	18732	101D5	Rotor Ring	19990	1055H	Screw
5820	105AA	Washer	18735	10S2L	Roller Clutch Assembly	19992	1009G	Bushing
9833	107V2	Ratchet Spring	18741	10SYU	Washer	19993	10S7C	Worm Shaft Retainer
9912	10GEW	Bearing Retainer	18744	10DK0	Idle Gear	19994	10TBA	Washer
13241	104JD	Ball Bearing	18761	10DK2	Idle Gear (Small)	19995	10L6N	Screw
13269	104VX	Ball Bearing	18771	10S9M	Idle Gear (Large)	19996	10H9N	Washer
13274	104PP	Ball Bearing	19745	104FH	Washer	19997	10HE5	Washer
13381	104JT	Ball Bearing	19746	101AY	Washer	19998	10DZB	Ball Bearing
13620	10L6D	Screw	19748	10DHG	Spool Washer	20012	10DWZ	Pinion Gear
13829	104JZ	Ball Bearing	19767	10180	Drag Knob Assembly	20013	10R8X	Drive Gear
14780	10A6F	Screw	19771	10DYR	Main Shaft Assembly	20069	10HE7	Click Spring
14867	103PE	Spool Support A	19775	100WY	Screw	20150	10E44	Collar
15231	10QBU	Key Washer B	19777	100WT	Screw	20987	10RX2	Screw
15862	102XW	Eared Washer	19780	100WX	O Ring	20988	101CC	Screw
16740	10345	Drag Washer A	19781	10DXE	O Ring	20990	10RNG	Screw
16742	10C1A	Drag Washer B	19793	1017W	Bearing Water Proof	20998	10095	Bail Hold Support Guard
16796	1070D	Spacer	19802	1017Y	Bail Trip Strike	20999	100RN	Rotor Nut
16801	10K9C	Washer	19803	10RSK	Handle Screw Cap	21002	10099	Bail Trip Lever
16931	10B8N	Retainer	19804	10DVX	Oscillating Guide A	21003	1009M	Rotor Brim
17183	10BQF	Drag Click Spring	19805	10RDL	Main Shaft Collar	21006	100RU	Washer
17184	102H5	Drag Click	19807	1018D	Oscillating Pawl	21012	10S7B	Counter Weight Cover
17267	10BCG	Key Washer	19808	10DYY	Worm Shaft	21784	1012C	Rotor Assembly
17415	1062C	Click Pin	19815	10DVW	Idle Gear Shaft	21785	100K6	Bail Arm
17493	10R38	Handle Knob	19816	10RS0	Rear Protector	21786	1011X	Bail Assembly
17494	10R3A	Handle Knob Seal	19818	10182	Oscillating Pawl Cover	21787	10DVM	Screw
17667	10PN3	Set Screw	19822	10DWD	Bearing Retainer	21788	100Q0	Body
17680	1018Z	Washer	19831	1009E	O Ring	21797	1011K	Handle Shank Assembly
17683	105R6	Bail Spring	19837	1009K	Bushing	21800	100PZ	Handle Assembly
17684	107AB	Bail Spring Guide B	19839	10RFZ	Spacer	21801	10TAK	Spool Assembly
17695	10PXV	Handle Shaft Seal	19857	10SAN	Bail Spring Guide A	21802	10122	Side Cover Assembly
17698	10PXZ	Bushing	19866	1009Z	O Ring			
17700	10LFA	Screw	19876	1009B	Bail Spring Guide A Bushing			
17719	10M2G	Screw	19883	10QXQ	Friction Ring			
18199	10ECK	Spacer	19884	1009L	Oscillating Slider Bushing			
18206	10THY	Spool Bearing Bushing	19886	1009W	Flange Water Proof			
18207	10SYS	Drag Click Ratchet	19895	100A0	Handle Shaft Cover			
18208	10TJM	Bearing Spacer	19899	1009Y	Roller Clutch Inner			
18210	10TLJ	Screw	19926	1076N	Nut Lock Plate			
18211	10TLM	Screw	19959	1009A	Line Roller			
18215	10TLK	Line Roller Support	19976	1009C	Bushing	18054	10G4L	Anti Line Slip Sticker