

**IMPORTANT**

Carefully remove all the parts from the carton and place them individually on a soft cloth to prevent scratches or other damage.

Carefully and strictly follow these assembly instructions to ensure a completed product as designed.

Do not use power tools above 8 volts to assemble.

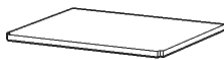
**Part List**



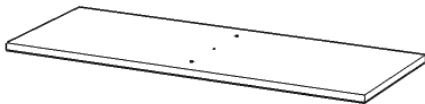
A.  
Top  
1 pc.



B.  
Shelf  
1 pc.



C.  
Shelf  
4 pcs.



D.  
Base  
1 pc.



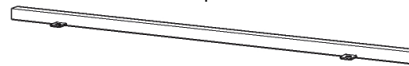
E.  
Front Rail  
1 pc.



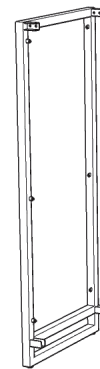
F.  
Front Rail  
1 pc.



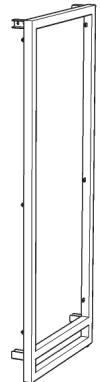
G.  
Back Rail  
1 pc.



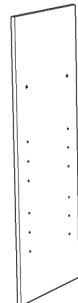
H.  
Back Rail  
1 pc.



K.  
Side Frame  
1 pc.



L.  
Side Frame  
1 pc.



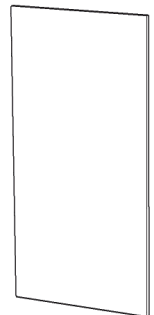
I.  
Side Panel  
2 pcs.



J.  
Middle Panel  
1 pc.



M.  
Upright  
1 pc.



N.  
Panel  
2 pcs.

**Hardware List**



Hex Wrench  
1 pc.



Small Hex Wrench  
1 pc.



M6x16  
Head Cap Bolt  
26 pcs. (+1 extra)



M6x45  
Tapered Bolt  
2 pcs. (+1 extra)



Spring Washer  
26 pcs. (+1 extra)



M3x12  
Wood Screw  
24 pcs. (+1 extra)



Flat Washer  
26 pcs. (+1 extra)



Adjustable Pin  
16 pcs. (+1 extra)



M3.5x30  
Wood Screw (long)  
1 pc. (+1 extra)

Tool(s) required for assembly: Phillips screwdriver, Level

# Assembly Instructions 2/5

## IMPORTANT

- Use a soft cloth between these parts and the floor.
- Make sure unit is level before tightening these screws.
- Do not tighten all the bolts until each part is properly assembled.
- The unit must be level to work properly. Use the included adjustable levelers to level.
- Keep Hex Wrench as the bolts may need to be tightened in the future.

## STEP 1

Attach Side Frames (K) and (L) to Side Panels (I) with Wood Screws. (See Figure 1)

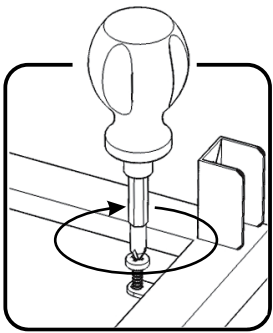
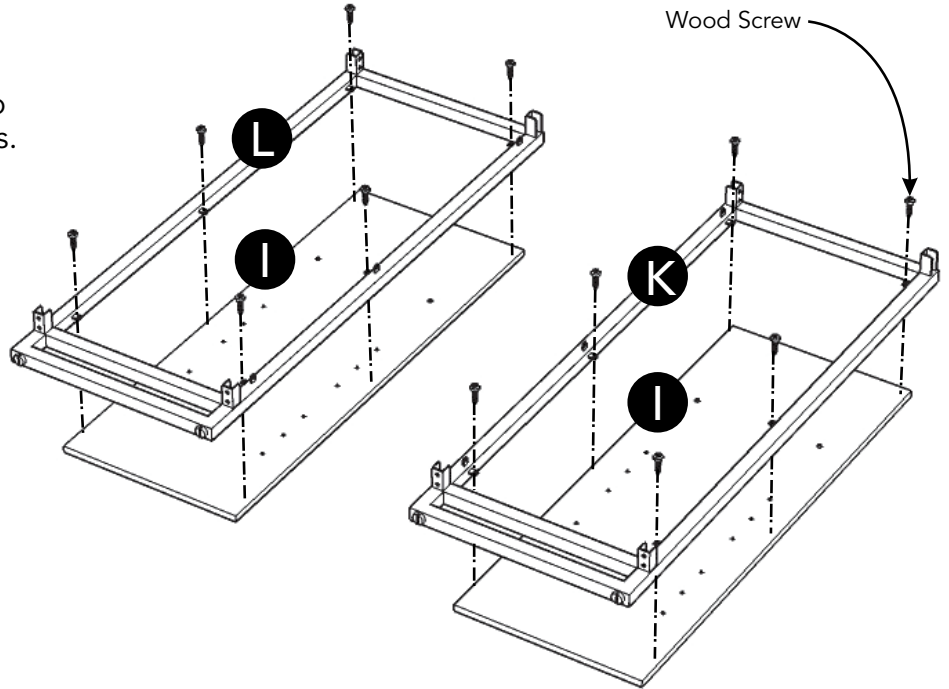


Figure 1



## STEP 2

Attach Front Rails (E), (F) and Back Rails (G), (H) to Side Frame (L) with Flat Washers, Spring Washers and Head Cap Bolts, tightening bolts only halfway. (See Figure 2)

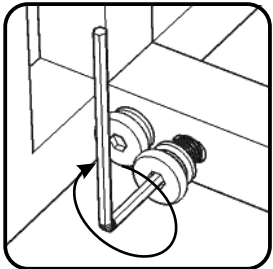


Figure 2

Attach Upright (M) to unit with Tapered Bolts, tightening bolts only halfway. (See Figure 3)

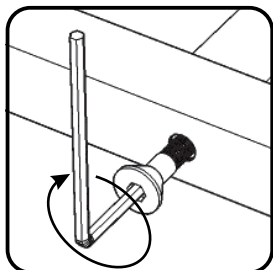
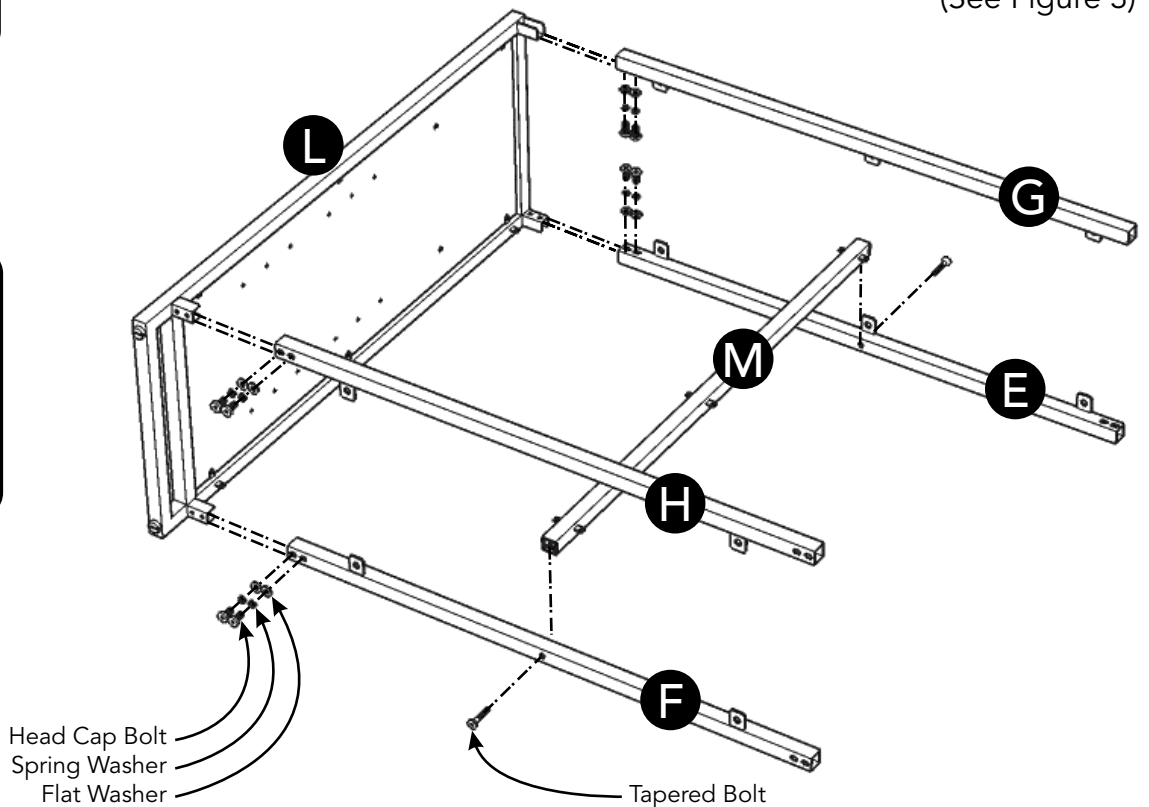


Figure 3

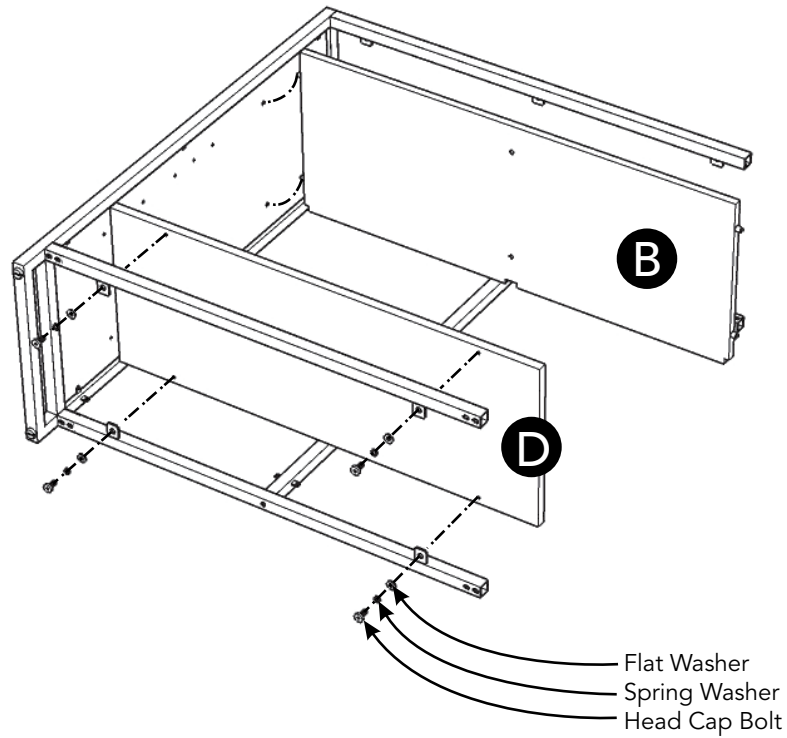


## Assembly Instructions 3/5

### STEP 3

Attach Shelf (B) to unit.

Attach Base (D) to unit with Flat Washers, Spring Washers and Head Cap Bolts, tightening bolts only halfway.

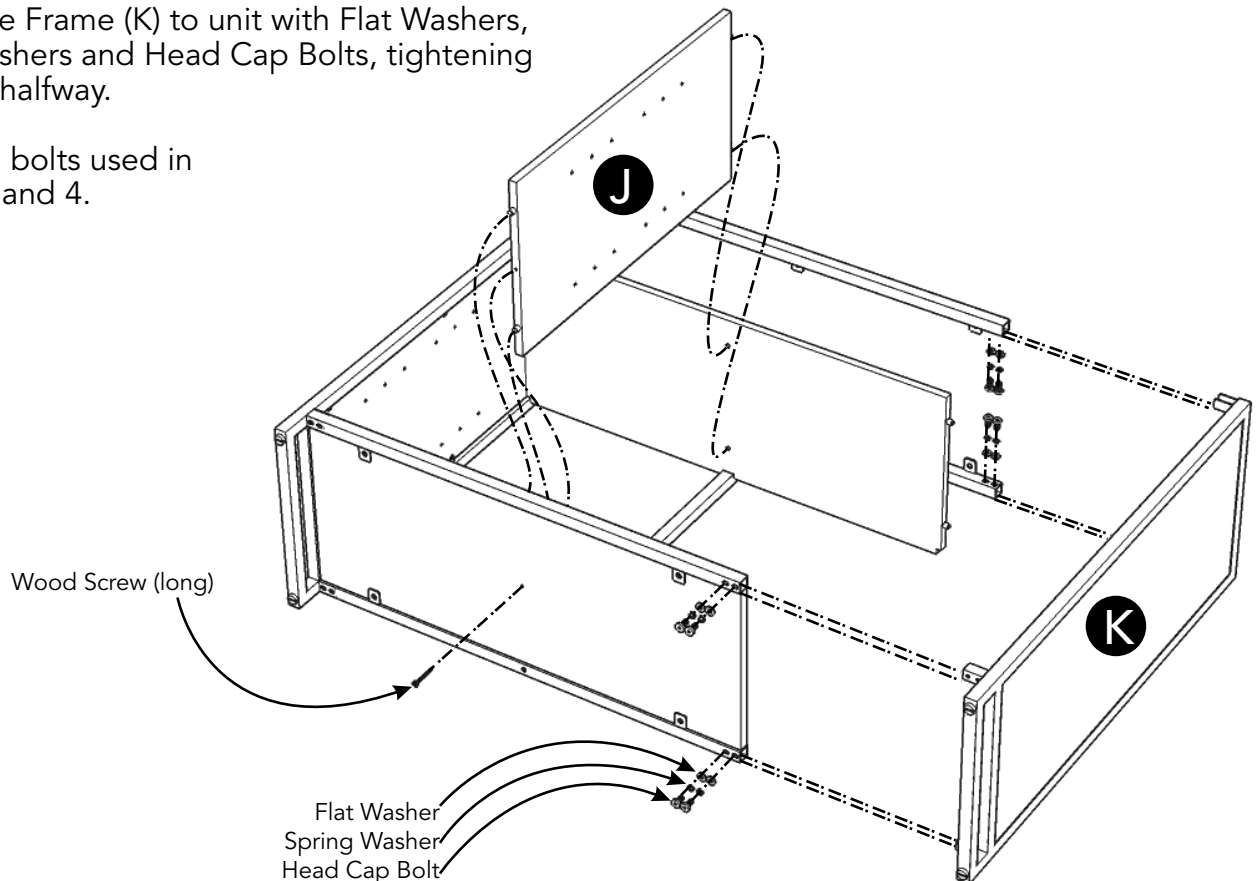


### STEP 4

Attach Middle Panel (J) to unit with Wood Screw (long).

Attach Side Frame (K) to unit with Flat Washers, Spring Washers and Head Cap Bolts, tightening bolts only halfway.

Tighten all bolts used in Steps 2, 3 and 4.

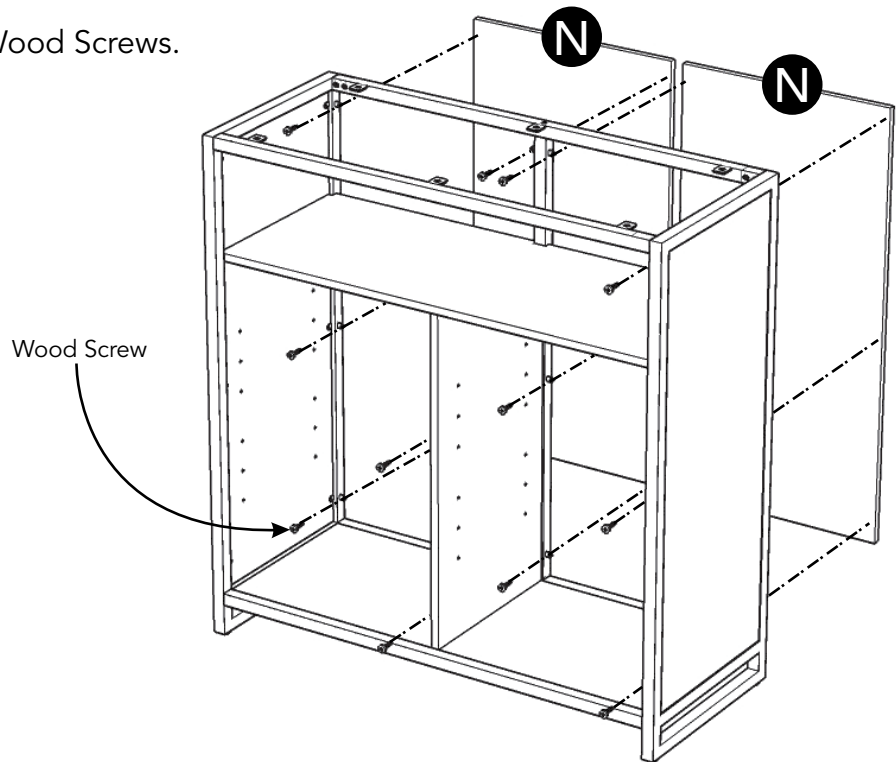


## Assembly Instructions 4/5

### STEP 5

Turn unit to it's upright position.

Attach Panels (N) to unit with Wood Screws.



### STEP 6

Insert Adjustable Pins into side panels and middle panel at desired level.  
(See Figure 4)

Place Shelves (C) into position.

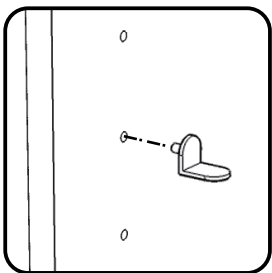
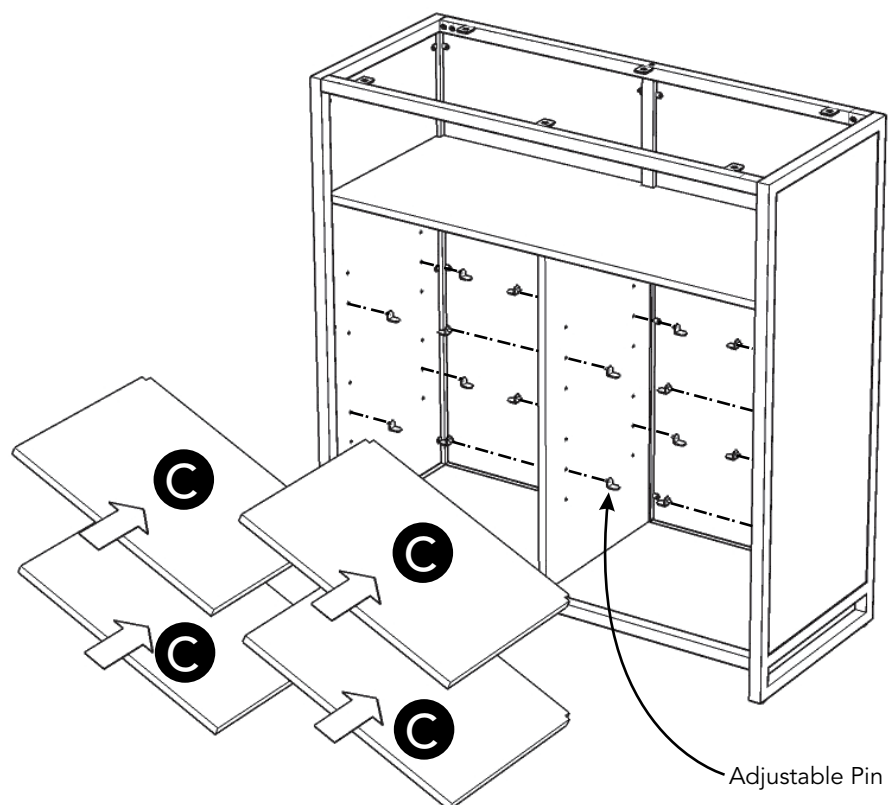


Figure 4

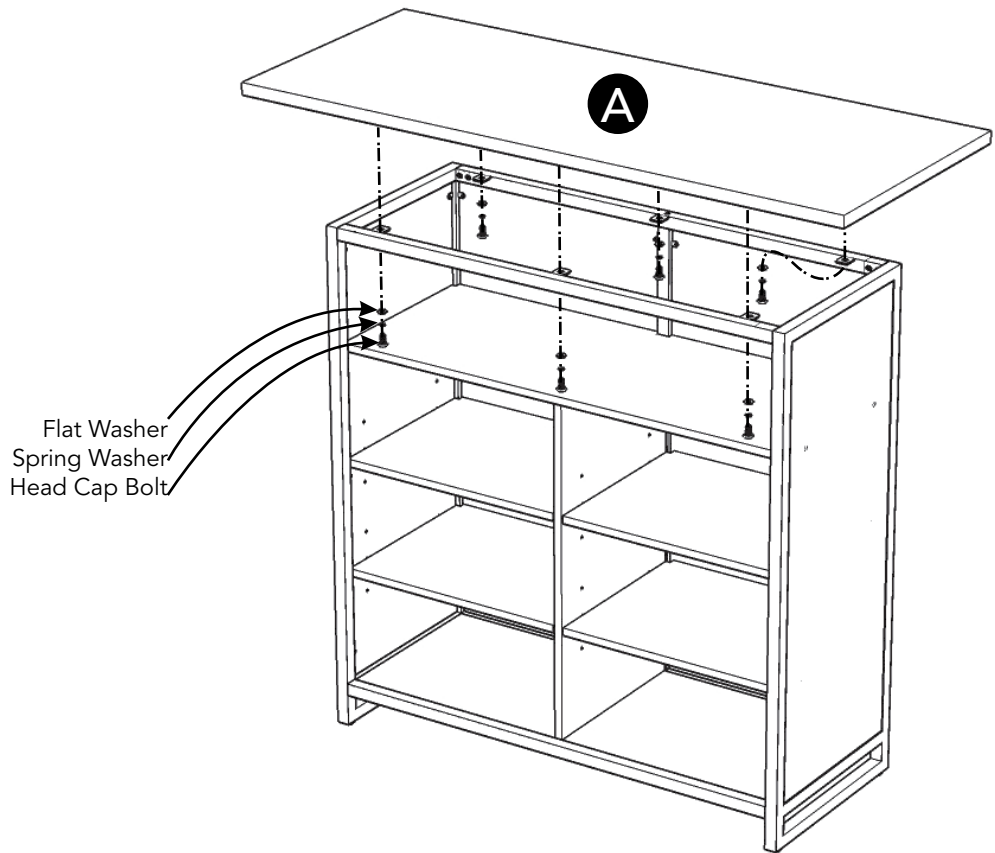


## Assembly Instructions 5/5

### STEP 7

Attach Top (A) to unit with Flat Washers, Spring Washers and Head Cap Bolts, tightening bolts only halfway.

Tighten all bolts.



### STEP 8

Level unit by adjusting the adjustable levelers on bottom of unit.  
(See Figure 5)

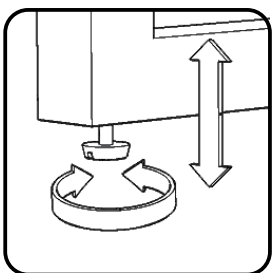
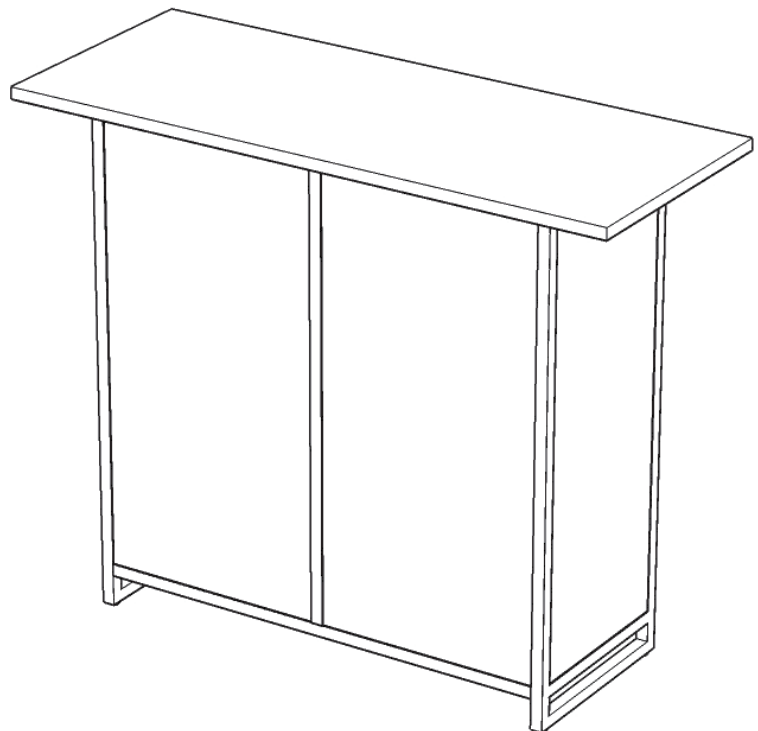


Figure 5

# CARE INSTRUCTIONS

## NEVER

allow liquids to remain on furniture.  
Absorption causes parts to warp  
and split and finishes to delaminate.

## NEVER

use glass cleaners on  
finished furniture. Ammonia  
chemically attacks the finish.



Do not use power tools  
above 8 volts to assemble.  
**PREVENT  
CRACKING**



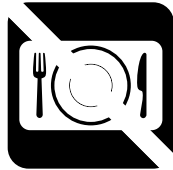
Do not place  
in direct sunlight.  
**PREVENT  
FADING**



Do not write  
directly on surface.  
**PREVENT  
MARKING**



Do not place hot  
objects on surface.  
**PREVENT  
FINISH DAMAGE**



Do not use rubber  
based placemats.  
**PREVENT  
DISCOLORING**



Do not use commercial  
waxes and polishes.  
**PREVENT  
YELLOWING**

## CLEAN

with a soft cloth moistened  
in lukewarm soap and water.  
Buff with a dry clean cloth.



Home Styles will provide replacements free of charge for missing or damaged hardware or parts within 30 days of purchase. Digital images of the defective parts may be required. If the product was not purchased from an authorized retail affiliate, Home Styles is under no obligation to provide replacement parts. Parts are not available for fully assembled items nor are parts available for sale. Replacements for missing or damaged hardware or parts may be requested at:

[www.homestyles-furniture.com/customer-service/replacement-parts](http://www.homestyles-furniture.com/customer-service/replacement-parts)

Home Styles Customer Service: [www.homestyles-furniture.com](http://www.homestyles-furniture.com),  
[servicedesk@homestyles-furniture.com](mailto:servicedesk@homestyles-furniture.com), 888-680-7460, 877-831-0319