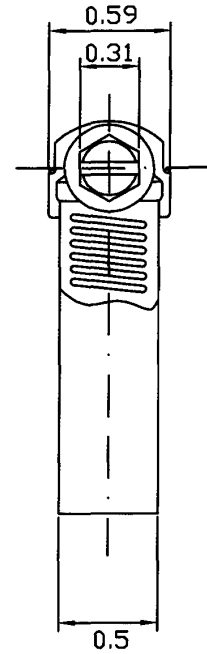
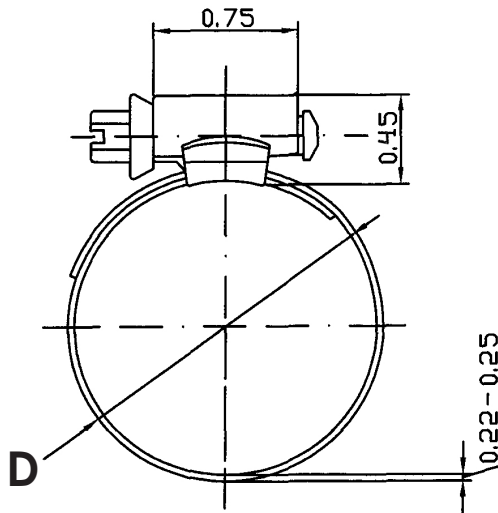


STAINLESS STEEL GEAR CLAMP



- 1/2" band
- All stainless
- Hanging bag
- CARTON QUANTITIES ONLY

PART NO.	TRADE SIZE	D (Min)	D (Max)
G16006	6	3/8"	7/8"
G16008	8	7/16"	1"
G16010	10	1/2"	1 1/16"
G16012	12	1/2"	1 1/4"
G16016	16	5/8"	1 1/2"
G16020	20	3/4"	1 3/4"
G16024	24	1"	2"
G16028	28	1 3/8"	2 1/4"
G16032	32	1 5/8"	2 1/2"
G16036	36	1 7/8"	2 3/4"
G16040	40	2"	3"
G16044	44	2 1/4"	3 1/4"
G16048	48	2 5/8"	3 1/2"
G16052	52	2 7/8"	3 3/4"
G16056	56	3"	4"
G16064	64	2 1/2"	4 1/2"
G16072	72	3"	5"
G16080	80	3 1/2"	5 1/2"
G16088	88	4"	6"
G16096	96	4 1/2"	6 1/2"
G16104	104	5"	7"



Notice:
 ☆1. The free torque ≤ 20 IN-LBS. ;
 ☆2. The ultimate torque ≥ 60 IN-LBS. ;