

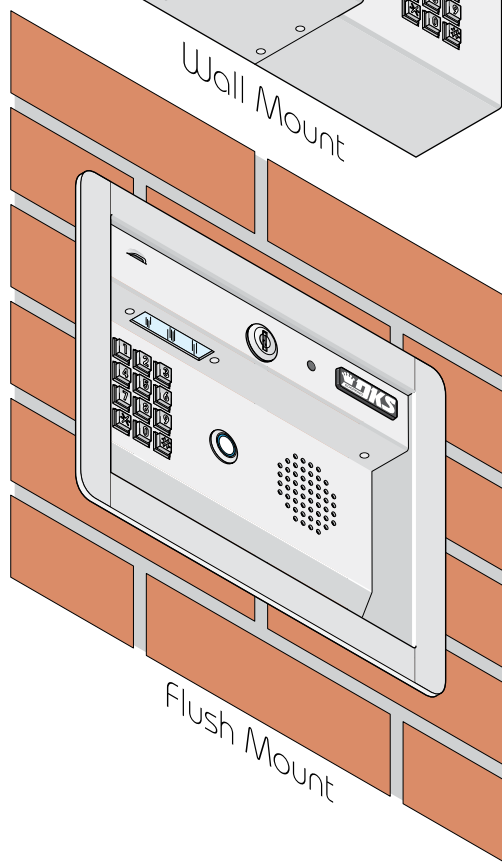
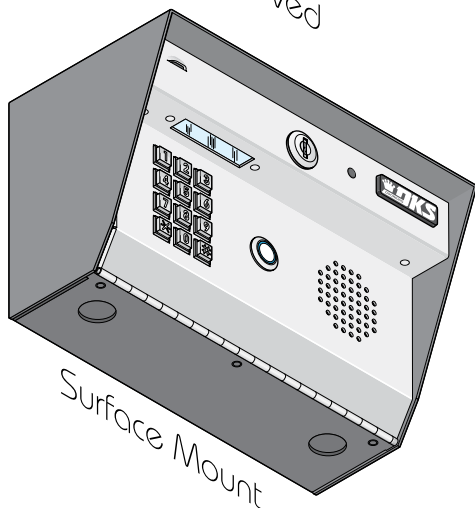
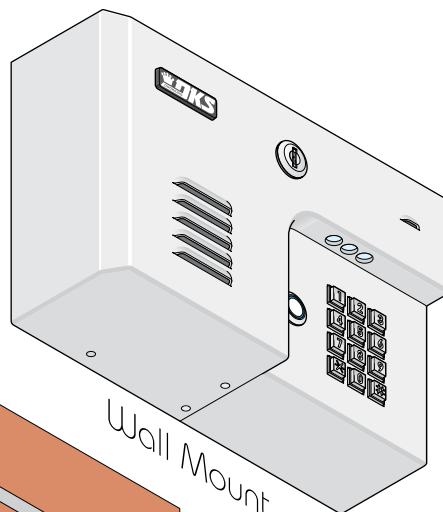
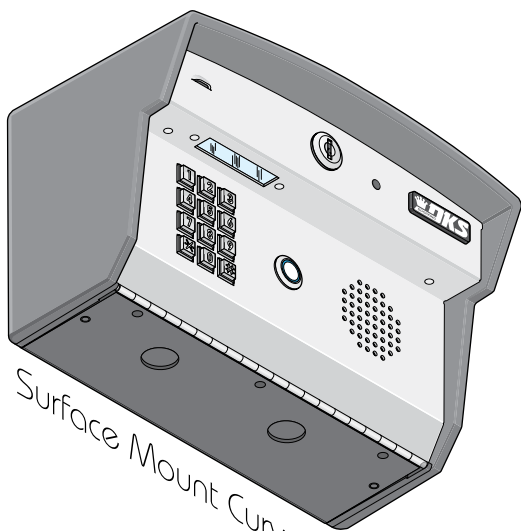
Installation/Owner's Manual **Model 1812 Access Plus**

PC Programmable Residential Telephone Intercom/Access Control System

Use this manual for circuit board 1970-010 Revision U or higher.

1812-162-X-10-16

Control a main door, gate and six additional RS-485 entry points.



Date Installed: _____

Installer/Company Name: _____

Phone Number: _____

Circuit Board
Serial Number
and Revision Letter: _____

Leave Manual with Owner

Download **ACCESS PLUS ACCOUNT MANAGER** Software **FREE** at:
<http://www.doorking.com/accessories/access-plus-software>

Copyright 2016 DoorKing, Inc. All rights reserved.



QUICK GUIDE: Terminals & LED Descriptions

- Phone In (Twisted Pair) OR Wireless Adapter
1. Phone In (Negative - Ring) (Optional - Phone modem programming or remote touch-tone phone control only)
 2. Phone In (Positive - Tip)
 3. Ground (Required)
 4. Not Used
 5. Not Used
 6. Not Used.

18-PIN Terminal

- Emergency and/or Postal Entry Switch
7. Switch Input Relay 1. A switch closure across terminals 7 & 9 will activate relay 1 for its programmed strike time.
 8. Switch Input Relay 2. A switch closure across terminals 8 & 9 will activate relay 2 for its programmed strike time.

- Optional Back-Up Battery Power
9. - 12 VDC Battery Negative. Also **Common** for terminals 7 & 8.
 10. + 12 VDC Battery Positive.

- Relay 1 (Access Control Device)
11. Relay 1 Normally Open
 12. Relay 1 Normally Closed
 13. Relay 1 **Common**

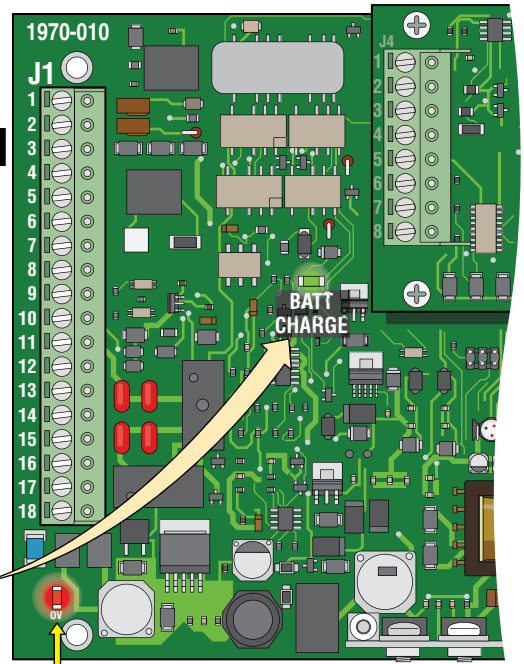
- Relay 2 (Access Control Device)
14. Relay 2 Normally Open
 15. Relay 2 Normally Closed
 16. Relay 2 **Common**

- Input Power (Transformer)
17. 16.5 VAC Input Power
 18. 16.5 VAC Input Power

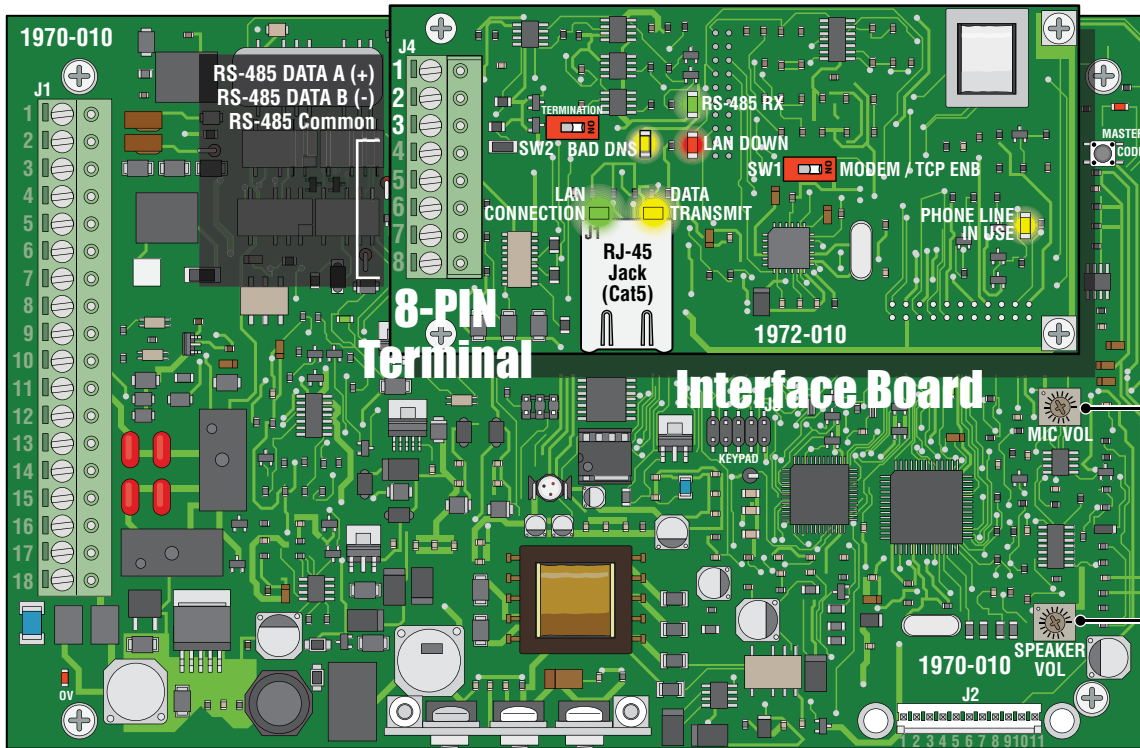
DO NOT use 24V.

WARNING Maximum input voltage to terminals 9 and 10 is 14.5 Volts DC.

BATT CHARGE LED: When battery is connected to 9 and 10, Green LED will light when charging and turn OFF when charged.



Over Voltage Power Note: OV LED will light up if too much power is applied to circuit board.



Microphone Gain Adjust

Speaker Volume Adjust

RS-485 RX - Green LED indicates that the system is on-line and scanning the RS-485 devices.

BAD DNS - Yellow LED indicates an email server problem, rejecting the mail server.

LAN DOWN - Red LED indicates a problem with the LAN. IP or Gateway (router) down or wrong gateway IP address.

PHONE LINE IN USE - Yellow LED indicates that the phone line is being used (dial-out, call forwarding, etc.).

LAN CONNECTION - Green LED indicates that the wire connection from the unit to the computer or router is good.

DATA TRANSMIT - Yellow LED indicates that the TCP / IP connection is transmitting data or sending an email.

SW1 - Modem/TCP Enable - Turning SW1 Off disables the modem and TCP / IP, but will speed up programming from the keypad.

SW2 - Termination Switch - Only used when RS-485 access control devices are being used (See section 1.9.1).

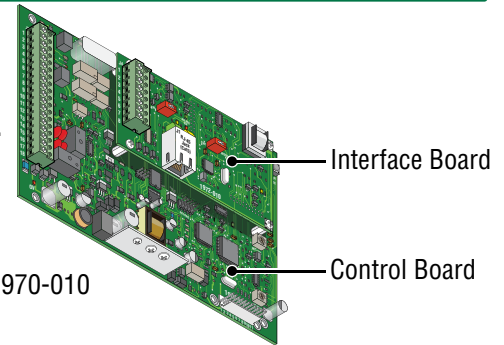
Quick Reference Table

	Page #	Section	Command	Factory Settings	
NOT Programmable from Software. Program from System Keypad ONLY.	Section 2.1 Programming Master Code				
		17	2.1	Press Master Code Button	NO Master Code Programmed
	Section 2.3 Programming Network Setup for a Computer				
		28	2.3.1	* 5 1	01030
		28	2.3.2	* 5 2	192.168.001.030
		29	2.3.3	* 5 3	255.255.255.000
	29	2.3.4	* 5 6	192.168.001.001	
	29	2.3.5	* 5 0	0	
Section 2.4 System Parameters Programming					
	32	2.4.1	* 0 6	1 (Phone Mode)	
	32	2.4.2	* 6 1	1 (Single System)	
	32	2.4.3	* 6 2	7	
	32	2.4.4	* 6 3	1 (Double Ring)	
	32	2.4.5	* 6 4	05 (5 Rings)	
	33	2.4.6	* 0 8	060 (60 Sec.)	
	33	2.4.7	* 0 3	1 Sec	
	33	2.4.8	* 0 5	Relay 1: 9 8 7 6 Relay 2: 5 4 3 2 Relays 3-8 Not Set	
	34	2.4.9	* 1 8	06 (6 Rings)	
	34	2.4.11	* 2 0	1 (ON)	
	34	2.4.12	* 1 6	N / A	
	35	2.4.13	* 1 1	7 (Mic) 1 (Speaker)	
Section 2.5 Directory Codes					
	35	2.5.1	* 4 1	Empty	
	35	2.5.2	* 4 2	N / A	
	35	2.5.3	* 4 3	N / A	
Section 2.6 Access Codes for Access Control Devices					
	36	2.6.1	* 0 2	Empty	
	37	2.6.4	* 7 0	Empty	
	37	2.6.5	* 7 1	N / A	
	37	2.6.6	* 7 2	N / A	
Section 2.7 Time Functions					
	38	2.7.1	* 3 3	Empty	
	38	2.7.2	* 1 0	Empty	
	38	2.7.3	* 3 7	Empty	
	39	2.7.5	* 3 5	Empty	
	39	2.7.6	* 3 6	Empty	
Section 2.8 Miscellaneous					
	40	2.8.1	* 9 0	N / A	
	40	2.8.2	* 9 1	N / A	

Note: Program section numbers have been intentionally skipped that **DO NOT** apply to the 1812 Access Plus system in this manual. This allows **ALL** of the Access Plus manuals to remain in sync with each other when referencing programming numbers.

SPECIFICATIONS

For Model 1812 Access Plus with circuit board 1970-010 Rev U or higher ONLY.

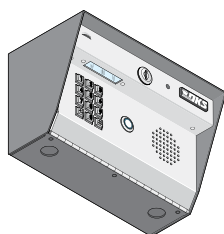


Both Boards Together - 1970-010

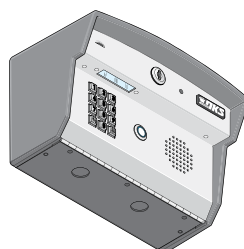
Features

- Unique telephone communication system allows homeowners to use their telephone as an intercom to speak to a guest at a front door or gate, and to control access to their property.
- IP Addressable – program from your PC using the DoorKing programming software via a LAN or WAN connection, or via a built-in modem.
- Up to five (5) 1812 Access Plus systems can be connected together and programmed from a single computer or phone.
- Two internal relays allow the system to control a main entry gate plus a pedestrian access gate.
- Control up to six (6) additional entry points with card readers, keypads or wireless RF via RS-485 connection.
- 100 card / transmitter / keypad codes (50 with phone numbers, 50 as access only).
- Holiday schedule.
- 500 event transaction buffer.
- Unique distinctive ring.
- Unit connects directly to the homeowners existing telephone line. No additional monthly expense for a second telephone line.
- Built in call waiting assures that incoming calls or guest calls are not missed.
- Call Forward.
- Up to 27 preprogrammed dial-out telephone numbers.
- Answer machine bypass feature. Allows the homeowner to log into the 1812 even after an answering machine has already picked up the call.
- Built-in clock / calendar.
- Do-not-disturb time zone.
- Four hold-open time zones.
- Access code time zones.
- Call forward time zone.
- Unit can be programmed to work with PBX and KSU phone systems.

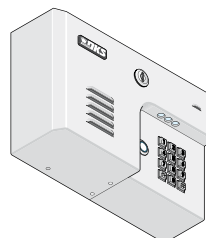
Included with the system is an extra random keyed cabinet lock. If desired, for added security against unauthorized entry into the system, the standard lock may be replaced with the random lock.
Note: DoorKing cannot replace this specific lock or keys if lost.



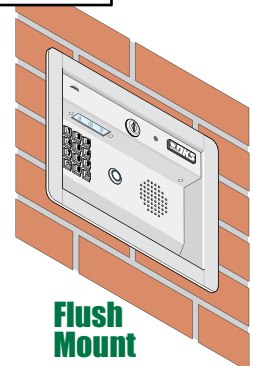
Surface Mount



Surface Mount Curved



Wall Mount

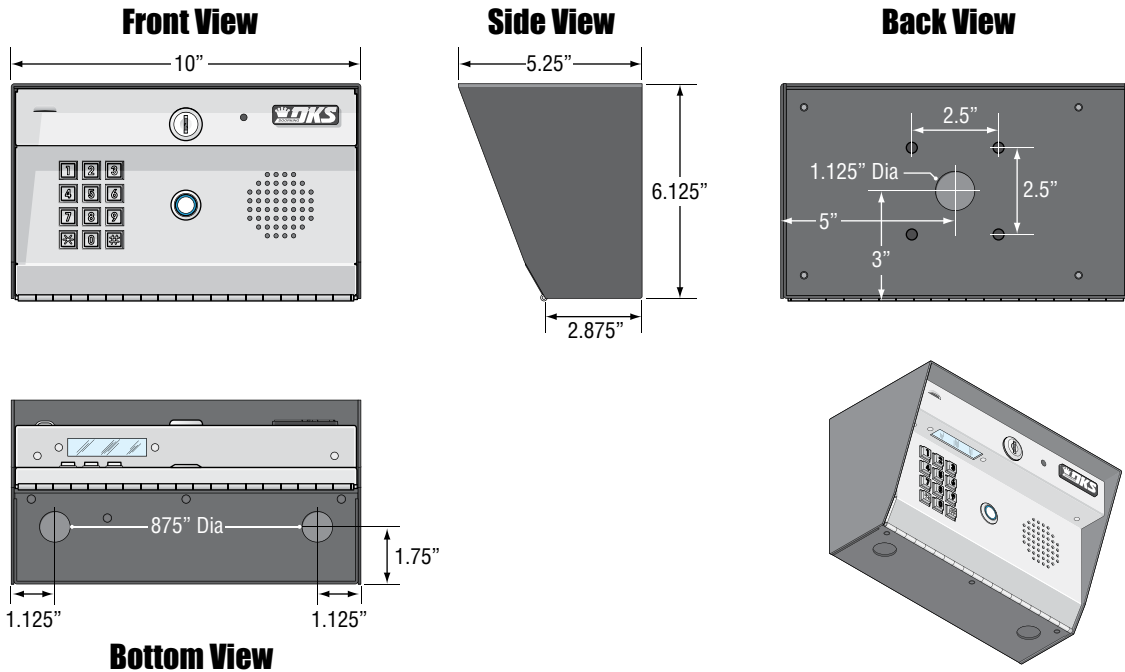


Flush Mount

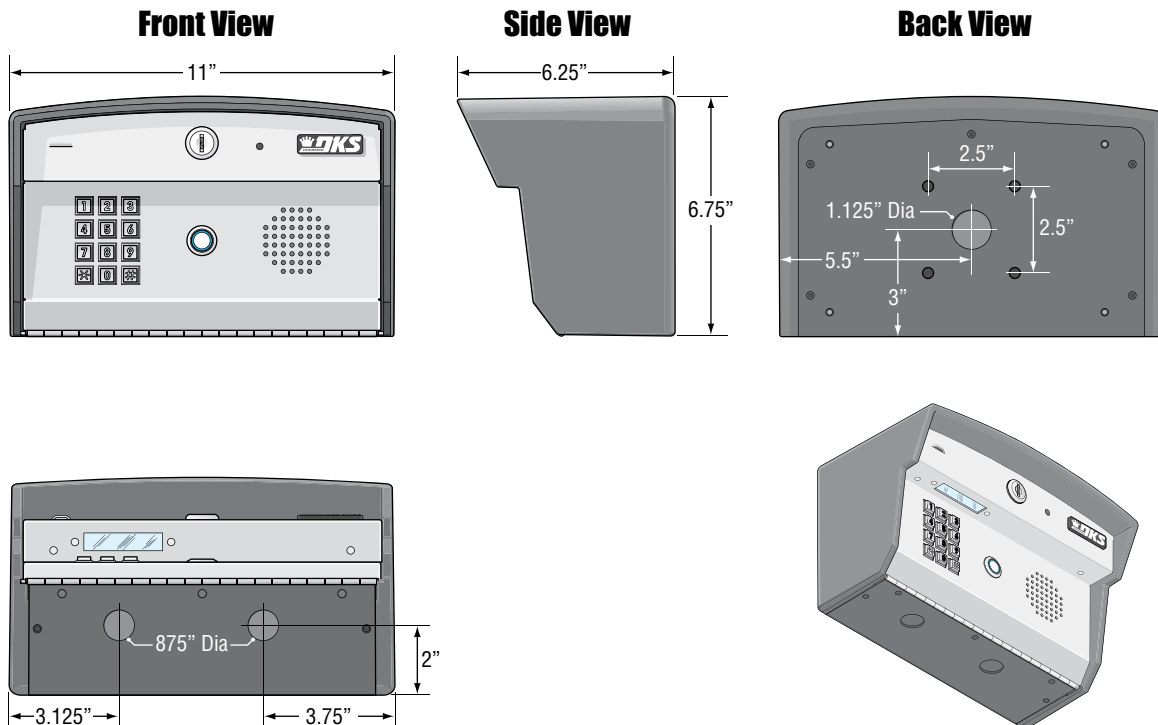
DoorKing, Inc. reserves the right to make changes in the products described in this manual without notice and without obligation of DoorKing, Inc. to notify any persons of any such revisions or changes. Additionally, DoorKing, Inc. makes no representations or warranties with respect to this manual. This manual is copyrighted, all rights reserved. No portion of this manual may be copied, reproduced, translated, or reduced to any electronic medium without prior written consent from DoorKing, Inc.

SPECIFICATIONS

Surface Mount Dimensions

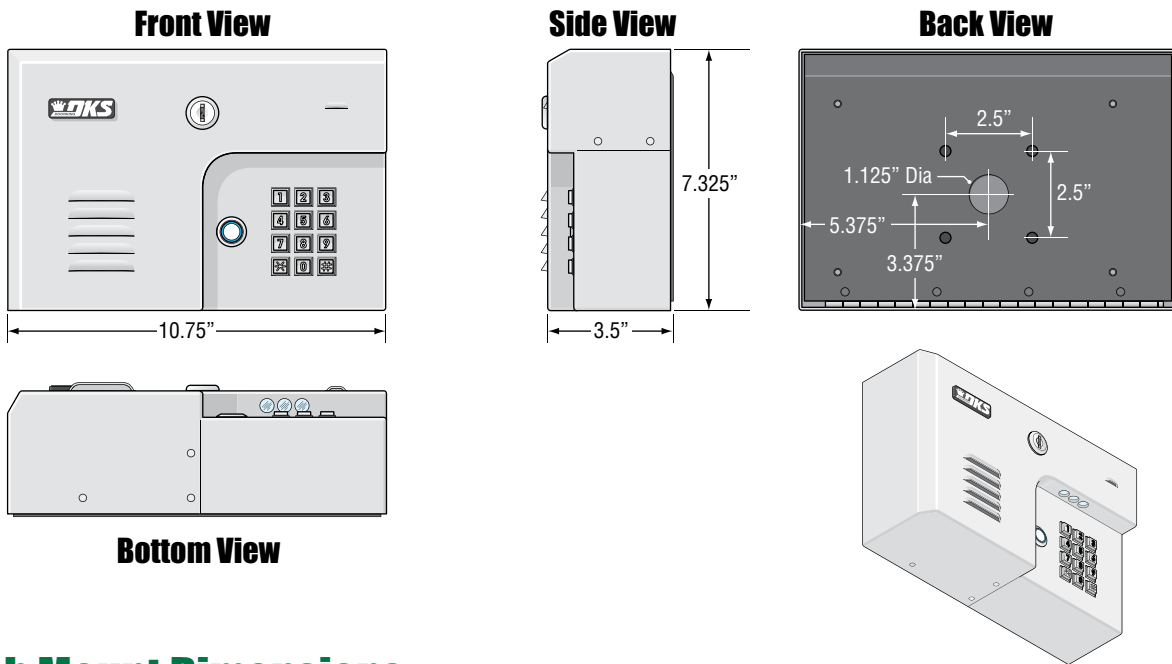


Surface Mount Curved Dimensions



SPECIFICATIONS

Wall Mount Dimensions



Flush Mount Dimensions

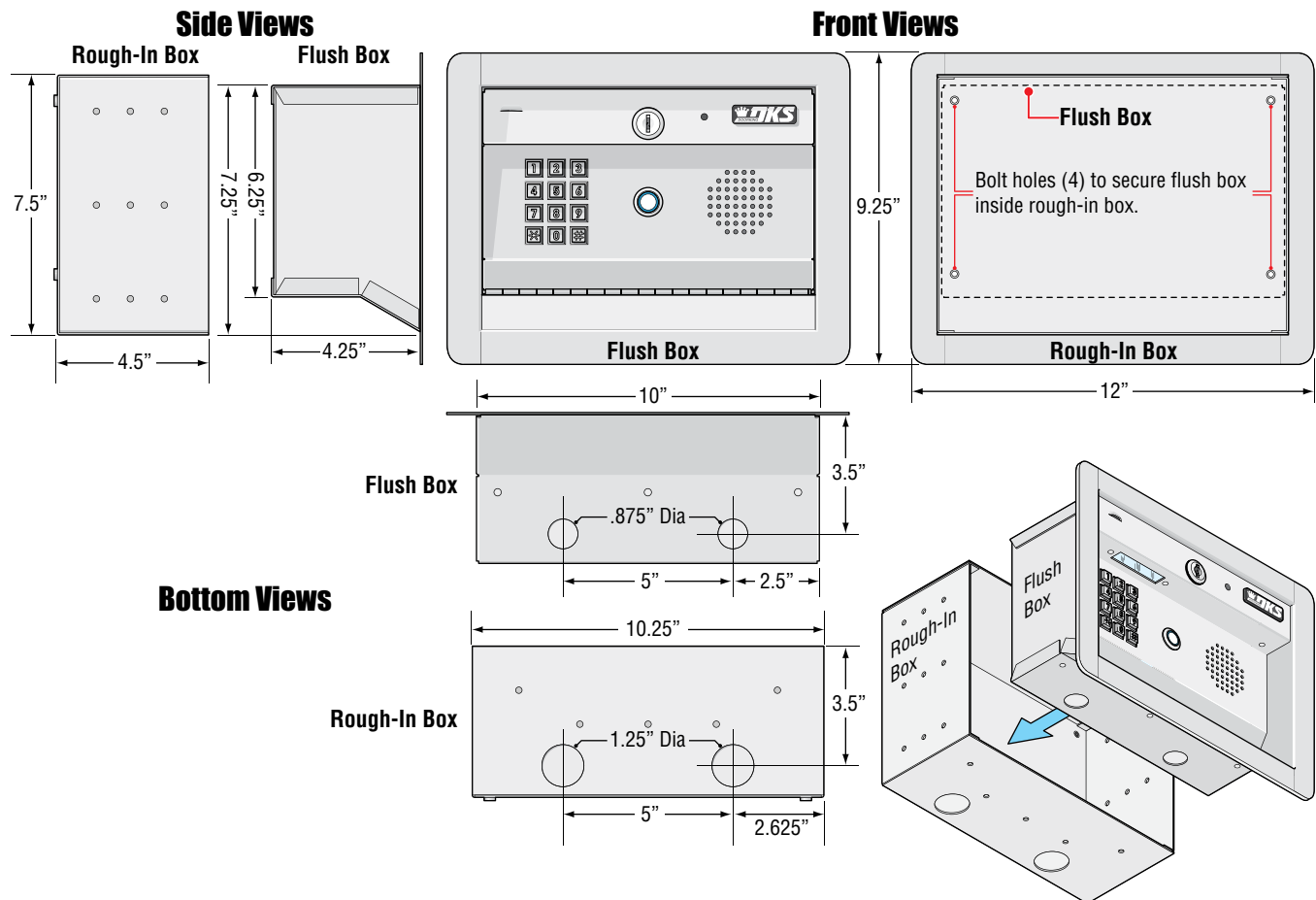


TABLE OF CONTENTS

Quick Guide: Terminals and LED Descriptions	Quick Guide - 1
Quick Reference Table	Quick Guide - 2
SPECIFICATIONS	Specs - 1
Features	Specs - 1
Surface Mount Dimensions	Specs - 2
Surface Mount Curved Dimensions	Specs - 2
Wall Mount Dimensions	Specs - 3
Flush Mount Dimensions	Specs - 3
Important Notices FCC - United States, DOC - Canada	3
General Information Installation Guidelines and Safety Information	4
SECTION 1 - INSTALLATION	5
1.1 Mount the 1812 Access Plus	5
Different Mounting Configurations of the 1812 Access Plus Models	6
1.2 Install By-Pass Board for “Telephone Mode” Configurations	8
1.3 Telephone Line Wire	9
1.4 16.6 VAC Power Wiring ONLY!	10
1.5 Grounding and Surge Suppression	10
1.6 Wire One 1812 to a Telco Line - Telephone Mode	11
1.7 Wire One 1812 to the Internet - Telephone Mode	12
1.8 Wire Multiple 1812s: Telco/Internet - Telephone Mode	13
1.9 Wire One 1812 - Intercom Mode	14
1.10 Wire Multiple 1812s - Intercom Mode	15
1.11 Main Terminal Description	16
1.12 Access Plus Interface Board	16
1.12.1 RS-485 8-Pin Connector Description	16
RS-485 Daisy Chain Wiring	17
RS-485 Configurations, Samples of Multiple 1812 Configuration Connections: Telephone Mode or Intercom Mode	18-19
1.12.2 Network Connections	20-21
1.12.3 Phone Modem Connections	22
SECTION 2 - PROGRAMMING	23
2.1 Programming the Master Code	23
2.2 Programming Methods	24
2.3 Programming the Network Setup for a Computer	25
2.3.1 Set the 1812 IP Address (reboot required)	25
2.3.2 Sub-Net Mask (reboot required)	25
2.3.3 Set the Gateway (Router) IP Address (reboot required)	26
2.3.4 Set the Port Number (reboot required)	26
2.3.5 Enable / Disable TCP / IP Support - System Reboot	26
2.4 System Parameters Programming	27
Programming from the System Keypad	27
Programming from a Touch-Tone Telephone	27
Quick Reference Table	28
2.4.1 Phone Mode or Intercom Mode	29
2.4.2 Single or Multiple Systems	29
2.4.3 System Attention Number	29
2.4.4 Single or Double Ring	29
2.4.5 Number of Home Phone Rings Before 1812 Hangs Up	29
2.4.6 Talk Time	30
2.4.7 Relay Strike Time	30
2.4.8 Tone Open Numbers	30

TABLE OF CONTENTS

2.4.9	Answer Incoming Call on X Rings	31
2.4.11	Call Waiting	31
2.4.12	Turn Speaker On / Control Relay from Off-Site Call	31
2.4.13	Set Call Forward Microphone Gain and Speaker Volume	32
2.5	Directory Codes	32
2.5.1	Directory Codes 24 – 50 Programming “Dial Phone Number”	32
2.5.2	Delete a Phone Number from Directory Codes 24 – 50	32
2.5.3	Delete ALL Phone Numbers from Directory Codes 24 – 50	32
2.6	Access Codes to Operate Access Control Devices	33
2.6.1	“Simple” Access Code Programming (Relays 1&2: 24/7 Operation)	33
2.6.4	“Time Zone Restricted” Access Code Programming	34
2.6.5	Delete an Access Code (Simple and Time Zone Restricted)	34
2.6.6	Delete All Access Codes for the Same Type of Device (Simple and Time Zone Restricted)	34
2.7	Time Functions	35
2.7.1	Time and Date Calendar Chip Programming	35
2.7.2	Call Forward Phone Number Programming	35
2.7.3	Call Forward - ON/OFF or Time Zone Activation	35
2.7.5	Automatic Relay Activation Time Zone Programming (Up to 4)	36
2.7.6	Access Code Time Zone Programming (Up to 4)	36
2.8	Miscellaneous	37
2.8.1	Restore Factory Settings	37
2.8.2	Erase Transaction Log	37
SECTION 3 - ADJUSTMENTS		38
Speaker Volume		38
Microphone Gain		38
Interface Board LED Status		38
System Keypad and Push to Call Button		38
SECTION 4 - USER INSTRUCTIONS		39
4.1	Resident Operating Instructions	39
4.1.1	Granting or Denying a Guest Access	39
4.1.2	Call Waiting	39
4.1.3	Dial-Out Phone Numbers	39
4.1.4	Access Codes	39
4.2	Remote Operation	40
4.2.1	Remote Programming (Home Phone or Off-Site Phone)	40
4.2.2	Remote Relay Activation (Off-Site Phone)	40
4.2.3	Relay Activation from Homeowner’s Phone	40
4.2.4	Relay Activation Check from Homeowner’s Phone	40
4.2.5	Initiate Talk and Listen to 1812 when it has not been activated	41
SECTION 5 - MAINTENANCE		41
5.1	Troubleshooting	41
5.2	Phone Line Polarity	42
5.3	Isolating Noise Problems	43
5.4	Troubleshooting Table	43-44
5.5	1812 Access Plus Wiring Schematic	45
5.6	Accessories	45
5.7	Programmed Information Log Sheets	46-51
Master Code, Relays, Access Codes and Time Zone Log Sheets; Directory Code / Dial-Out Phone Numbers Log Sheet; Access Code Log Sheets (50 with phone numbers, 50 as access only).		

Important Notices

FCC – United States

This equipment has been tested and found to comply with the limits for a class A digital device, pursuant to Part 15 of the FCC Rules and Regulations. These limits are designed to provide reasonable protection against harmful interference when the equipment is operated in a commercial environment. This equipment generates, uses, and can radiate radio frequency energy and, if not installed and used in accordance with the instruction manual, may cause harmful interference to radio communications. Operation of this equipment in a residential area is likely to cause harmful interference in which case the user will be required to correct the interference at his own expense.

FCC Registration Number: **DUF6VT-12874-0T-T**

DOC - Canada

The Canadian Department of Communications label identifies certified equipment. This certification means that the equipment meets certain telecommunications network protective, operational, and safety requirements. The Department does not guarantee the equipment will operate to the users satisfaction.

Before installing this equipment, users should ensure that it is permissible to be connected to the facilities of the local telecommunications company. The equipment must also be installed using an acceptable means of connection. The customer should be aware that compliance with the above conditions may not prevent degradation of service in some situations.

Repairs to certified equipment should be made by an authorized Canadian maintenance facility designated by the supplier. Any repairs or alterations made by the user to this equipment, or equipment malfunctions, may give the telecommunications company cause to request the user to disconnect the equipment.

Users should ensure, for their own protection, that the electrical ground connections of the power utility, telephone lines, and internal metallic water pipe system, if present, are connected together. This precaution may be particularly important in rural areas.

CAUTION: Users should not attempt to make such connections themselves, but should contact the appropriate electric inspection authority, or electrician, as appropriate.

DOC Registration Number: **1736 4507 A**

Notice:

The Load Number (LN) assigned to each terminal device denotes the percentage of the total load to be connected to a telephone loop which is used by the device, to prevent overloading. The termination on a loop may consist of any combination of devices subject only to the requirement that the sum of the load numbers of all the devices does not exceed 100.

Notice:

DoorKing does not provide a power transformer on units sold into Canada. Use only transformers that are CSA listed to power the telephone entry system. The model 1812 Access Plus requires a 16.5-volt, 20 VA transformer.

General Information

- Prior to beginning the installation of the telephone entry system, we suggest that you become familiar with the instructions, illustrations, and wiring guidelines in this manual. This will help insure that you installation is performed in an efficient and professional manner.
- The proper installation of the telephone entry panel is an extremely important and integral part of the overall access control system. Check all local building ordinances and building codes prior to installing this system. Be sure your installation is in compliance with local codes.
- When used to control a door or pedestrian gate, try to locate the telephone entry system as near as possible to the entry point. The unit should be mounted on a rigid wall to prevent excessive shock and vibration from closing doors or gates. Continuous vibration and shock from slamming doors or spring-loaded pedestrian gates will damage the circuit board.
Under no circumstances should the unit be mounted directly to a moving door or gate.
- **ADA mounting requirements for door control.** The requirements below apply only when the telephone entry system is being used to control entry through a public door only. If this system is used to control entry through a vehicular gate or private entrance, the dimensions noted below do not apply.
 1. If the clear floor space allows only forward approach to the system, the maximum high forward reach allowed is 48 inches above grade to the top of the keypad.
 2. If the high forward reach to the system is over an obstruction of greater than 20 inches but less than 25 inches, the maximum high forward reach allowed is 44 inches above grade to the top of the keypad.
 3. If the clear floor space allows parallel approach by a person in a wheelchair, the maximum high side reach shall be 54 inches above grade to the top of the keypad.
 4. If the high side reach is over an obstruction of 24 inches or less, the maximum high side reach allowed is 46 inches above grade to the top of the keypad.
- **When used to control a vehicular gate with an automatic gate operator, the telephone entry system must be mounted a minimum of ten (10) feet away from the gate and gate operator, or in such a way that a person cannot operate the entry system and/or touch the gate or gate operator at the same time.**
- Be sure that the system is installed so that it is not directly in the traffic lane. Goose neck mounting post and kiosks work well for these type systems. When planning where to locate the system, take into consideration traffic lane layouts, turn around lanes for rejected access, conduit runs, power availability, etc.
- Environmental factors must also be taken into account. Surface mount units are designed for direct outdoor installations, however it is preferable to protect them from direct exposure to driven rain or snow whenever possible. Flush mount units must be protected from direct exposure to the elements.
- This telephone entry system contains a number of static sensitive components that can be damaged or destroyed by static discharges during installation or use. Discharge any static prior to removing the circuit board from the lobby panel by touching a proper ground device.
- **Instruct the end user to read and follow these instructions. Instruct the end user to never let children play with or operate any access control device. This Owner's Manual is the property of the end user and must be left with them when installation is complete.**

SECTION 1 - INSTALLATION

Installation of the 1812 Access Plus Telephone Entry System involves the installation of the hardware, by-pass board, and the wiring of these components. Be sure that all dirt, metal or wood debris is removed from inside after mounting it. Any debris inside could damage the control board and cause the 1812 Access Plus system to malfunction during operation.



WARNING

When the 1812 Access Plus is used to control a vehicular gate with an automatic gate operator, it must be mounted a minimum of ten (10) feet away from the gate and gate operator, or in such a way that a person cannot operate the 1812 Access Plus system and/or touch the gate or gate operator at the same time.

Included with the system is an extra random keyed cabinet lock. If desired, for added security against unauthorized entry into the system, the standard lock may be replaced with the random lock. Note: DoorKing cannot replace this specific lock or keys if lost.

1.1 Mount the 1812 Access Plus

Use the specification dimensions on pages 2 and 3 to help with the installation of your chosen 1812 Access Plus model.

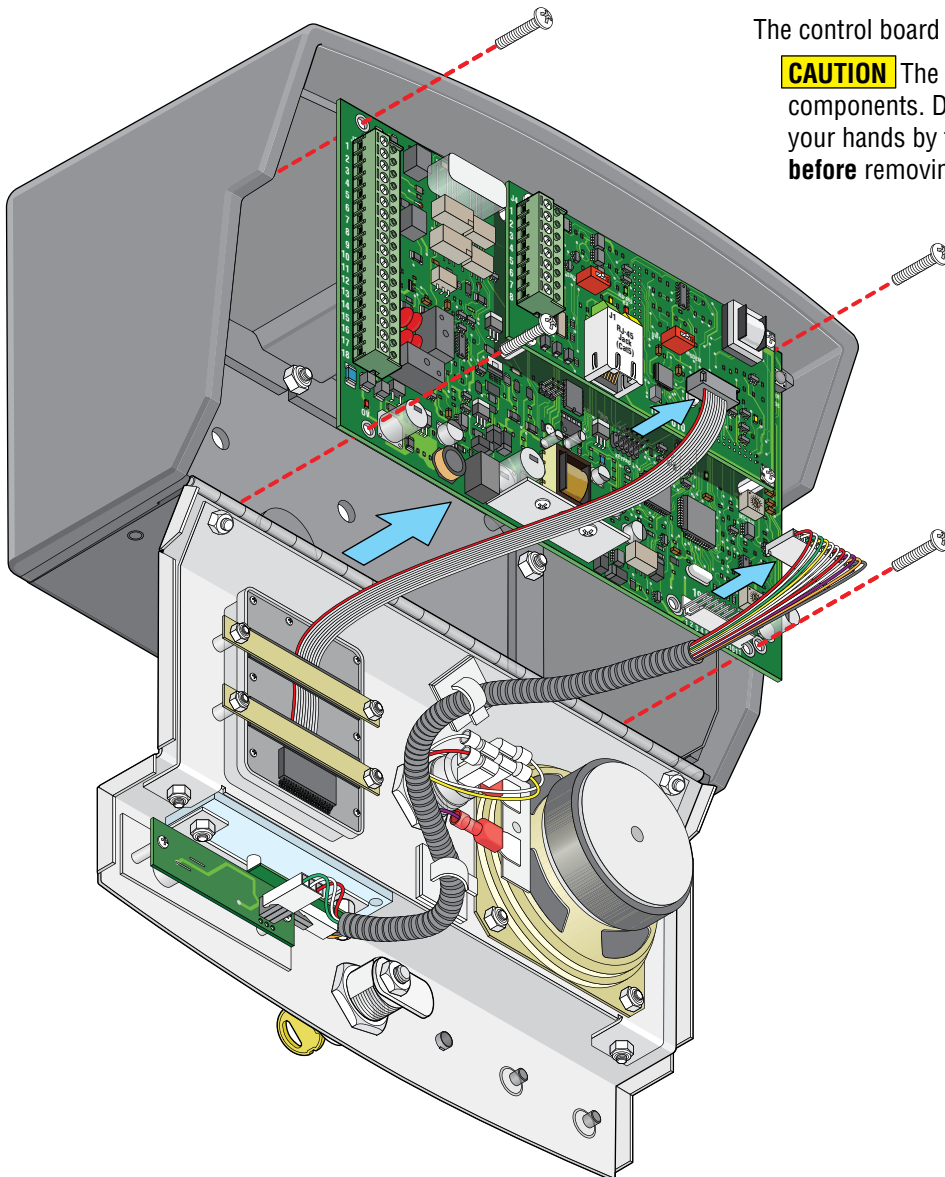
Remove the Control Board

The control board removal is the same for all models.

CAUTION The control board contains static sensitive components. Discharge any static electricity from your hands by touching a proper ground device **before** removing the control board.

1. Unlock and open the 1812 door.
2. Disconnect the keypad plug and door accessories plug from the control board.
3. Remove the 4 screws.
Carefully remove control board.

Keep the control board in a protected area during the mounting installation.



Different Mounting Configurations of the 1812 Access Plus Models

Surface and Wall mount models can be mounted directly to a wall, pilaster or post mounted using a DoorKing mounting post (there are several different styles available). The flush mount model is designed to be mounted into a pilaster, wall or kiosk. In any case, be sure it is securely mounted and is not subject to continuous vibration from closing doors or gates.

Mount on a Mounting Post

Use existing 4 holes in cabinet box to bolt the surface or wall mount models on a DoorKing mounting post. Use the hardware that is supplied with the mounting post.

Note: A gooseneck mounting post anchored in concrete does not make a good ground.

IMPORTANT Choose how your 1812 will function (Telephone Mode or Intercom Mode) on pages 14 thru 18 and run the indicated wires to the cabinet. Also route RS-485 and/or network connection wires to the cabinet if they are to be used. Run ALL wires that will be needed during the cabinet installation.

Mount Directly to a Wall or Pilaster

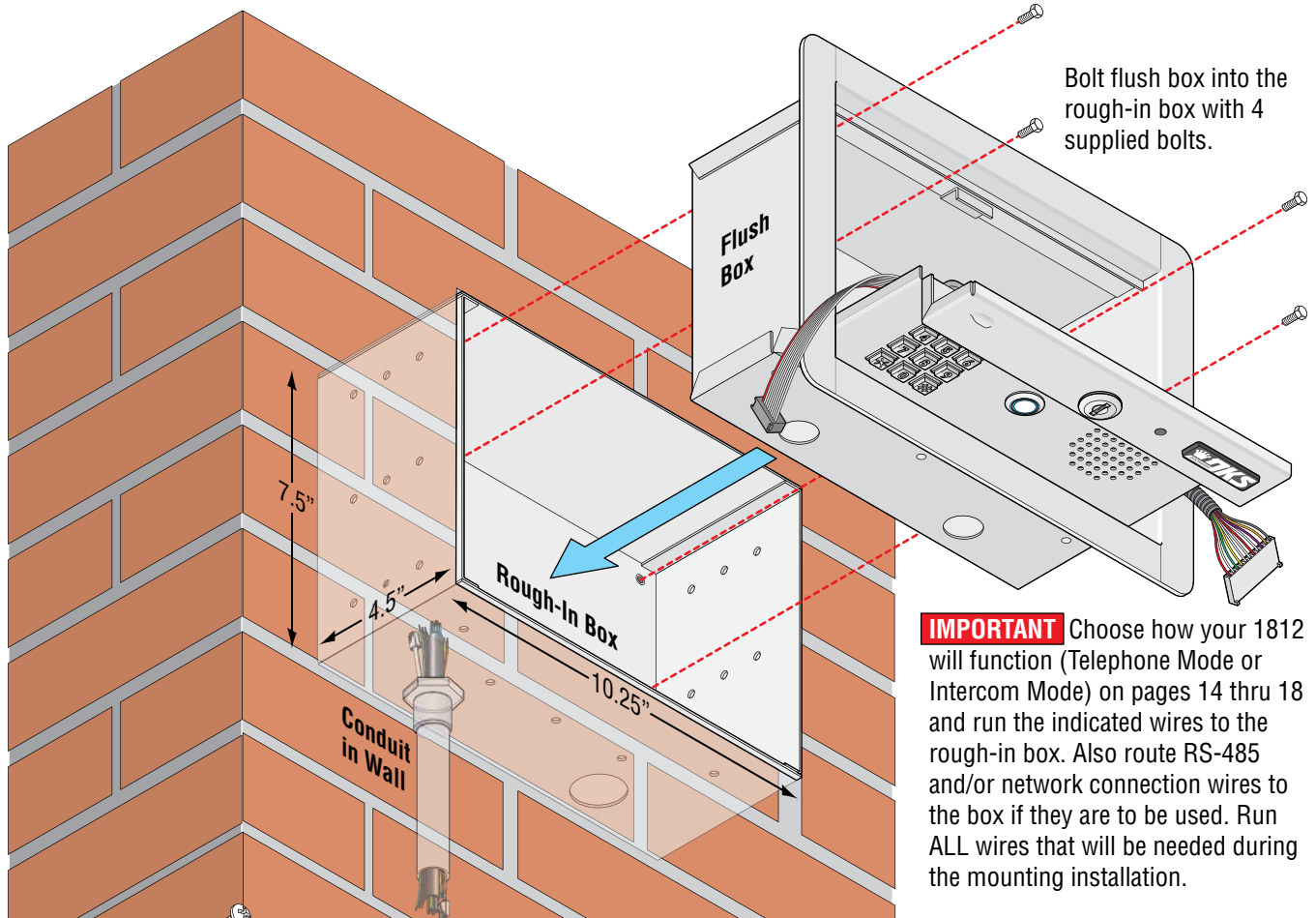
Use the 4 existing holes in the cabinet box. Run conduit inside or outside of wall or pilaster if desired. Use appropriate hardware to mount the cabinet (Not supplied). Be sure that the mounting hardware does not protrude into the cabinet where it could cause a short.

Plastic screw anchors for masonry if required. (Not supplied)

Conduit
(Shown inside wall)

Flush Mount in a Pilaster, Wall or Kiosk

Mount rough-in box into the pilaster, wall or kiosk. Run conduit inside wall into bottom of rough-in box if desired. Use appropriate hardware (Not supplied) to secure the rough-in box in place.



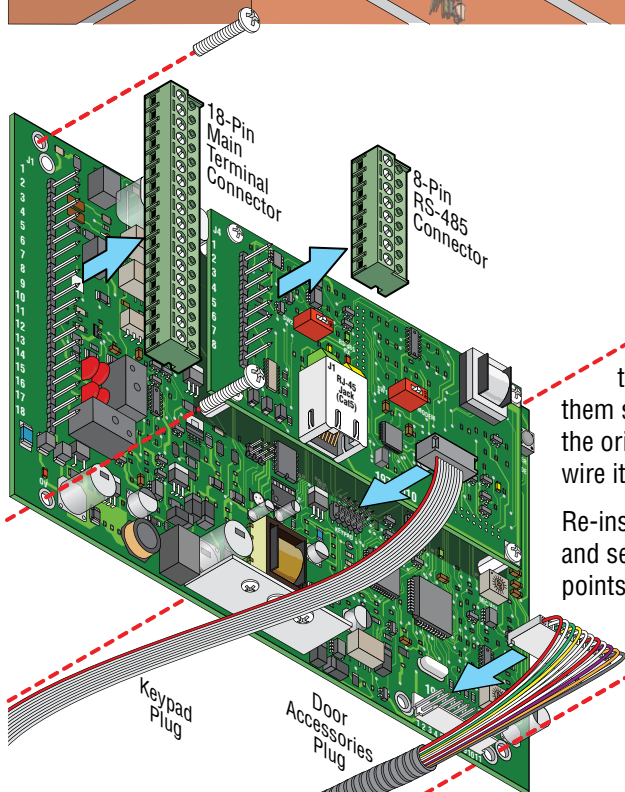
Re-install the Control Board

CAUTION The control board contains static sensitive components. Discharge any static electricity from your hands by touching a proper ground device **before** re-installing the control board. Also make sure that all dirt, metal or wood debris is removed from inside before re-installing the board.

Remove the 18-pin main terminal connector, and if necessary, the 8-pin RS-485 connector from the control board by **gently** pulling them straight up. This will make wiring to the control board easier. Note the orientation and numbering sequence of each connector to correctly wire it.

Re-install control board by **carefully** routing all incoming wires around it and secure it in place with 4 screws. Re-connect the keypad plug (cable points down) and door accessories plug (red wire goes to the left) to the control board.

Connect all wires to the 18-pin connector and to the 8-pin connector if needed (See pages 16 and 17). **Gently** re-connect them back on the control board. **DO NOT APPLY POWER** to the 1812 at this time.



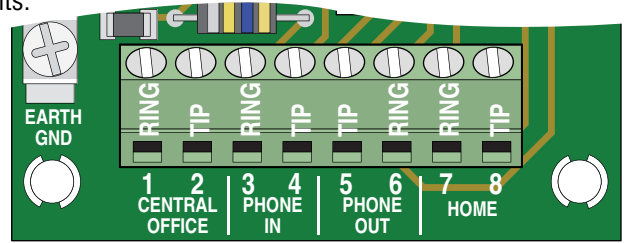
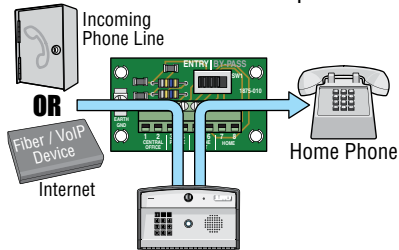
1.2 Install By-Pass Board for “Telephone Mode” Configurations

The 1812’s by-pass board provides a method to by-pass the 1812 and route the incoming telephone line directly to the homeowner’s phone. **The By-Pass board IS NOT optional when using an incoming telephone line or internet (Telephone Mode) – it must be installed as part of the 1812 system. All telephone wires for the 1812 must pass through the by-pass board.** Wire the by-pass board either for a “Single 1812 - telephone mode” pages 14 - 15 or “Multiple 1812s - telephone mode” page 16.

Mount the by-pass board in a location that is easily accessible by the homeowner. In case of 1812 trouble or maintenance, the homeowner will use the by-pass switch on the board to route the incoming telephone line directly to their home phone. If the by-pass board is installed outdoors, it must be installed in a NEMA Type 4 enclosure (not supplied) to protect the board from direct exposure to landscape sprinklers, rain, snow and other elements.

“Entry” switch position:

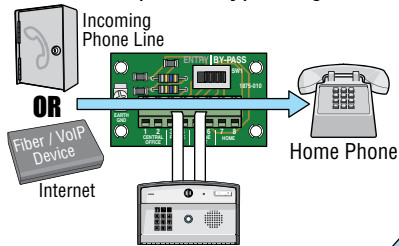
Routes incoming phone line through 1812 and then to the home phone.



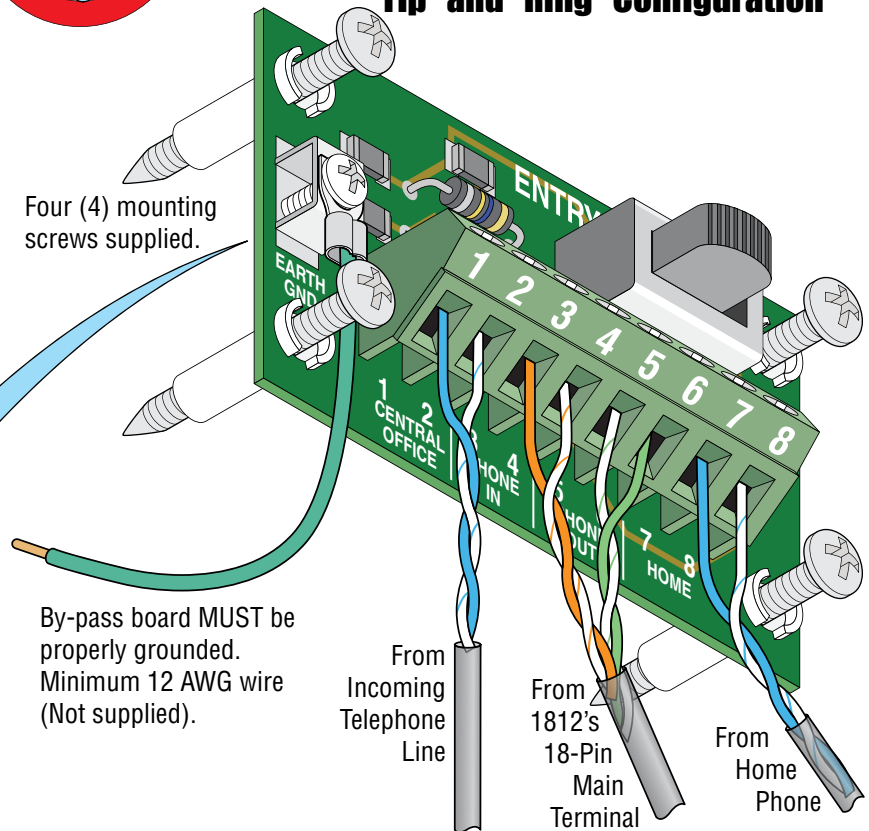
“Tip” and “Ring” Configuration

“By-Pass” switch position:

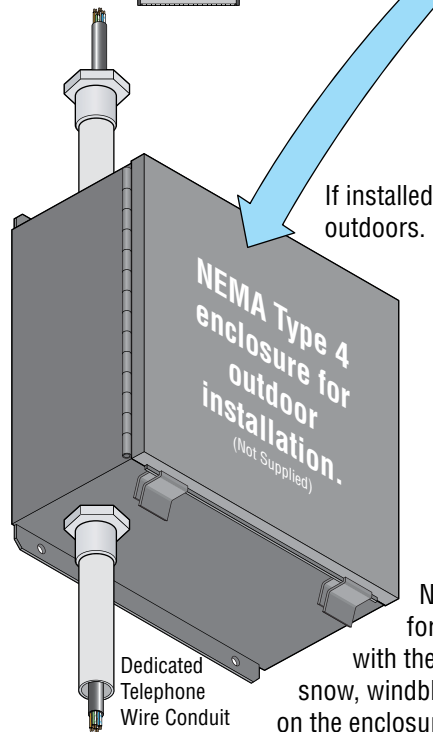
Routes incoming phone line directly to the home phone, bypassing 1812.



Four (4) mounting screws supplied.



By-pass board **MUST** be properly grounded. Minimum 12 AWG wire (Not supplied).



If installed outdoors.

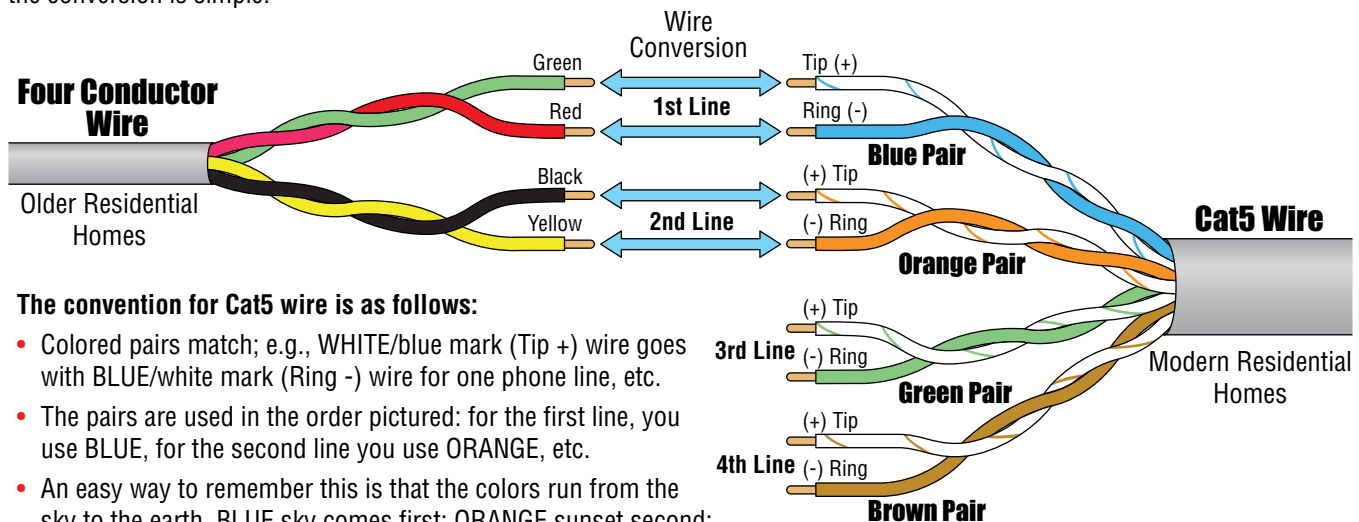
Use only twisted pair telephone wire that is rated for direct underground burial. **DO NOT** use wire that is intended for indoor applications. **Recommend Cat5e Gel Filled (flooded) UV Resistant Direct Burial Cable in conduit.** **DO NOT** run telephone wires and high voltage wires in the same conduit. It is recommended to run all necessary wires to the by-pass board in a “dedicated” telephone wire conduit. Check the phone wire chart on next page for wire size and distances.

National Electrical Manufacturers’ Association (NEMA) - Type 4 - Enclosure constructed for outdoor use to provide a degree of protection to personnel against incidental contact with the enclosed equipment: to provide a degree of protection against falling dirt, rain, sleet, snow, windblown dust, splashing water, and that will be undamaged by the external formation of ice on the enclosure.

1.3 Telephone Line Wire

Be sure to observe electrical safety when working with phone lines. Phone lines carry electricity and the ring voltage can deliver a substantial jolt. The best policy is to disconnect the house phone from the phone company Network Interface Device (also known as 'Demarcation Device') before working on the wiring.

In most residential homes, the phone cable contains four wires; green, red, black, yellow. The green and red are twisted to make one pair and the black and yellow are twisted to make another pair (This allowed for the addition of a second phone line since telephones use only two wires). Most phone lines installed in the U.S. in the second half of the 20th Century have this type of wire. This type of wire is now obsolete. All new telephone projects are using Cat5 wire. If you have Cat5 wiring in your home, the conversion is simple:



The convention for Cat5 wire is as follows:

- Colored pairs match; e.g., WHITE/blue mark (Tip +) wire goes with BLUE/white mark (Ring -) wire for one phone line, etc.
- The pairs are used in the order pictured: for the first line, you use BLUE, for the second line you use ORANGE, etc.
- An easy way to remember this is that the colors run from the sky to the earth. BLUE sky comes first; ORANGE sunset second; GREEN grass third; BROWN earth last.

“Tip” and “Ring” Definition. Common terms in the telephone service industry referring to the two wires or sides of an ordinary telephone line. Tip is the ground side (positive) and Ring is the battery (negative) side of a phone circuit. The ground side is common with the central office of the telephone company (telco); the battery side carries -48 volts of DC voltage when in an “Idle” or “On Hook” state.

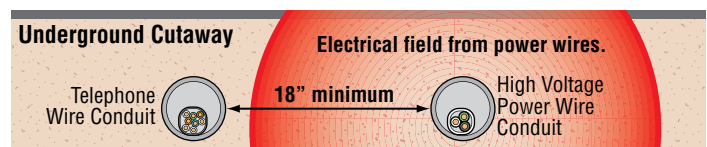
Phone Line Polarity. Tip and ring reversal is mostly immaterial, except for special circuits including DID (Direct Inward Dialing) trunks, T-1 lines, and ground start lines where the field side (“terminal”) equipment (a company's PBX switch, for example) can only function correctly with correct tip and ring polarity.

Wire Type. It is extremely important to use the correct type of wire in telephone applications. Since the 1812 requires phone lines to be run outdoors or in an underground environment, **we recommend that you use only wire that is rated for direct underground burial.** For example, **use Cat5e Gel Filled (flooded) UV Resistant Direct Burial Cable run in conduit for your 1812 phone line requirements.** Do not use thinly insulated brown-jacketed telephone wire (the type found in the walls of a house) for outdoor or underground phone line wiring. Using **improper wire can cause noise and hum** on the phone line. Be sure that phone wire pairs are twisted.

Wire Size and Distance. Phone lines can be run up to 3600 feet, provided that the proper wire size is used.

Telephone Wire Run Table

Wire Size	Max Distance
24 AWG	800 ft
22 AWG	1600 ft
20 AWG	2200 ft
18 AWG	3600 ft



Note: Do not run telephone wires and high voltage power wires in the same conduit. Separate the high voltage conduit and the telephone conduit by at least 18 inches to prevent any electrical field interference that could occur.

1.4 16.5 VAC Power Wiring ONLY!

The 1812 Access Plus operates **ONLY** on 16.5 VAC. **DO NOT power the 1812 with 24 volt AC power.** Use the supplied power transformer, 16 VAC, 20 VA (or U.L. listed equivalent) to power the telephone entry system. **DO NOT power any other devices (electric strikes, magnetic locks, etc.) from the 1812's power transformer.** See table below for wire run distances.

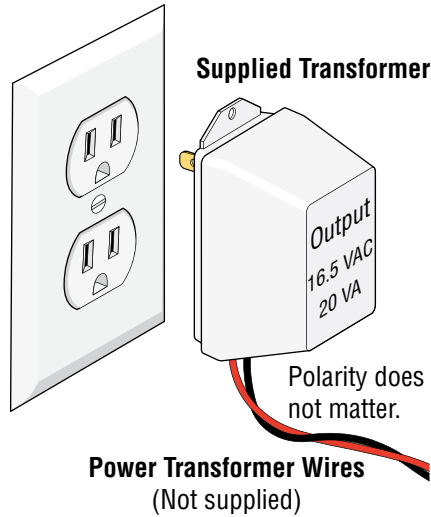
Power Transformer Wire Run Table

Wire Size	Max Distance
18 AWG	100 ft
16 AWG	200 ft

CAUTION

DO NOT power the 1812 from a 24-Volt source (Such as a gate operator). **Damage will occur to the 1812** that is **NOT** covered under DoorKing's warranty.

Over Voltage Power Note: LED located on bottom left corner of board will light up if too much power is applied to circuit board.



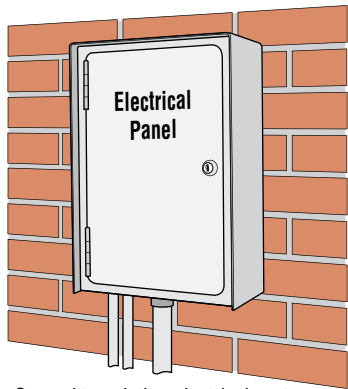
Power Interruption Note: The Time and Date calendar chip (Section 2, 2.7.1) in the 1812 Access Plus will keep time for approximately 48 hours if power to the system is lost or removed. If power is off **longer** than this, **the Time and Date will need to be reprogrammed into the system.** All other specific programming that has been done will remain intact after power has been restored.

DoorKing offers a **12 volt .8 amp hour gel cell battery** that can connect to the main terminals 9 and 10 to provide back-up power during power interruptions. (DoorKing P/N 1801-008)

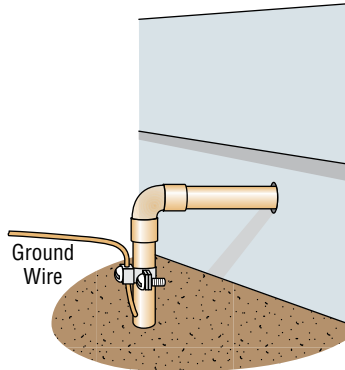
1.5 Grounding and Surge Suppression

Proper Grounding and the use of surge suppressors can significantly reduce the chance of component failure because of static charges or surges. To be effective, ground connections should be made with a minimum 12 AWG wire to a ground point within 10 feet of the device being protected. The ground point can be at an electrical panel, a metallic cold water pipe that runs in the earth or a grounding rod driven at least 10 feet into the soil. **A gooseneck mounting post anchored in concrete does NOT make a good ground.**

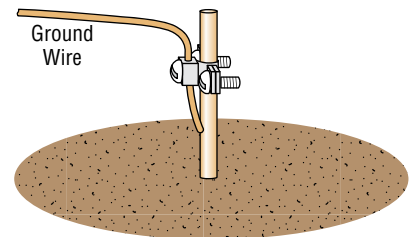
Some Acceptable Ground Sources



Ground to existing electrical system.



Ground to metallic cold water pipe.

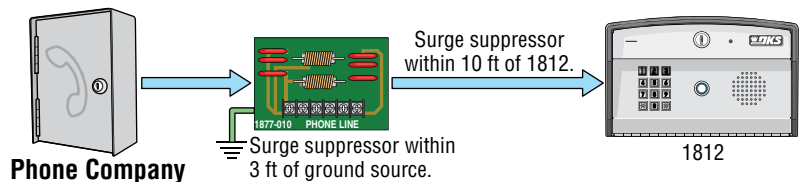


Grounding rod 10 feet in soil.

IMPORTANT: Ground wire shown without safety protection for clarity. Make sure ground wire is protected from being touched or electrical shock could occur!

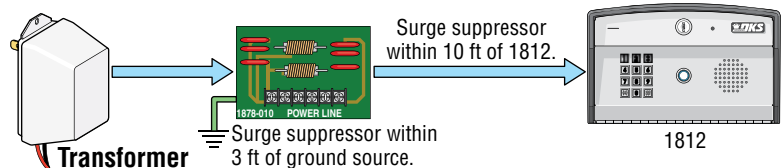
Telephone Line Surge Suppressor

It is highly recommended that telephone line surge suppressor (DoorKing P/N 1877-010) be installed to help protect the system from phone line power surges. Surge suppressor must be positioned 3 ft or less from the ground source, 12 AWG min.



Low Voltage Surge Suppressor

It is highly recommended that a low voltage surge suppressor (DoorKing P/N 1878-010) be installed to help protect the telephone entry system from power surges. Surge suppressor must be positioned 3 ft or less from the ground source, 12 AWG min.



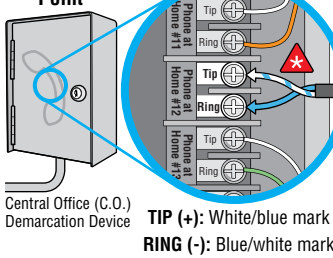
1.6 Wire One 1812 to a Telco Line - Telephone Mode

⚠️ Connect to Incoming Telephone Company's Phone Line

Locate the telephone company demarcation device. **IMPORTANT** Identify the wires that connect to the homeowner's telephone. Disconnect these 2 wires from the demarcation device and connect them to terminals #7 and #8 HOME on the by-pass board. Connect a new twisted-pair telephone wire to the telephone company demarcation device where the 2 wires were just removed from. Connect the other end of the new twisted-pair wire to CENTRAL OFFICE terminals #1 and #2 on the by-pass board (Unless using a surge suppressor, then wire to surge board first).

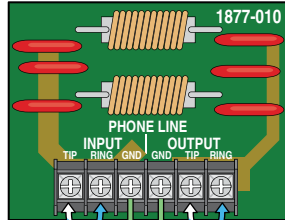
Place the by-pass switch in the "By-Pass" position until the 1812 installation is complete. Test the homeowner's telephone. It should have a dial tone while the switch is in the "By-Pass" position. **See page 8.**

Telephone Company Demarcation Point



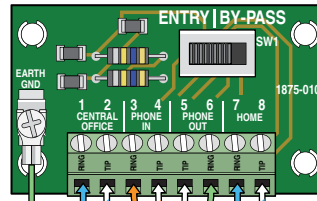
Phone Line Surge Suppressor

DoorKing Surge Suppressor P/N 1877-010 (or equivalent) is optional but highly recommended. For best protection, surge suppressor ground wire **MUST** be 3-ft. or less in length. Use minimum 12 AWG wire. **Refer to instruction sheet included with surge board for complete information.**



By-Pass Board

The By-Pass board is **NOT** optional and must be installed as part of the 1812 "Telephone Mode" system. **See page 8 for complete information.** Single 1812: PHONE IN #3 connects to Main Term #1. PHONE IN #4 connects to Main Term #2. PHONE OUT #5 connects to Main Term #5. PHONE OUT #6 connects to Main Term #4.

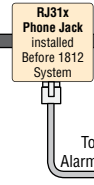


⚠️ Check Polarity of Telephone Line

Check for polarity on the incoming telephone line to each board and maintain polarity throughout the telephone line. One potential problem checked when a malfunction occurs in a telephone entry system is to see if the telephone line has been wired to each board with the correct polarity.

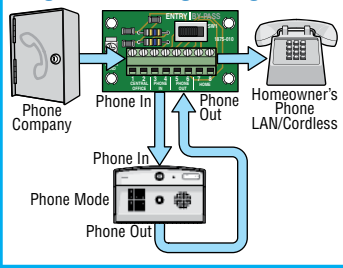
Test Example: By-pass board's CENTRAL OFFICE terminals #1 and #2. Terminal #2 must be positive (Tip +) with respect to terminal #1 (Ring -). Set a VOM meter to measure DC volts. Place the positive lead on terminal #2 and the negative lead on terminal #1. **If the meter shows a positive voltage - OK.** If the meter shows a negative voltage (needle moves off scale to the left), reverse the wires on terminals #1 and #2.

"Existing" Alarm System Location



Be sure to properly ground **ALL** boards. **See previous page for acceptable grounding sources.**

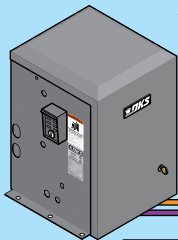
Single 1812 Wiring Configuration



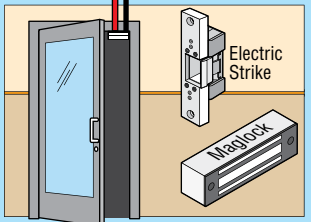
Access Control Devices

"Normally Open" Vehicle Gate Operator

Use minimum 18 AWG wire for runs up to 100 feet. 16 AWG wire for runs up to 200 feet. (Term. 11 and 13)



Pedestrian Gate/Door



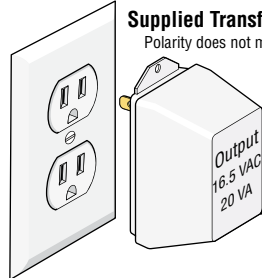
"Normally Close" with Maglock (Terminal 15 and 16)

"Normally Open" with Electric Strike (Terminal 14 and 16)

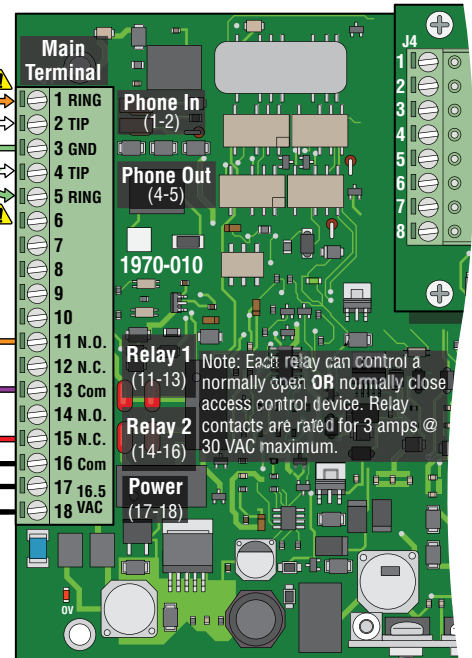
Magnetic locks or electric strikes must be powered from a separate UL Listed power transformer. **DO NOT** power strikes or magnetic locks from the 1812 power transformer. Use minimum 18 AWG wire for runs up to 100 feet; 16 AWG wire for runs up to 200 feet. It is recommended to keep power wire runs as short as possible.

Supplied Transformer

Polarity does not matter.

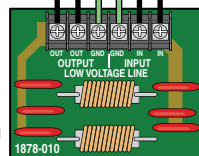


The 1812 Access Plus operates **ONLY** on 16.5 VAC. **DO NOT** power the 1812 with 24 Volt transformer or source voltage. Use the supplied power transformer, 16.5 VAC, 20 VA (or UL listed equivalent) to power the telephone entry system. **DO NOT** power any other devices (electric strikes, magnetic locks, additional 1812s etc.) from the 1812's power transformer. **See previous page for wire size and run distances.**

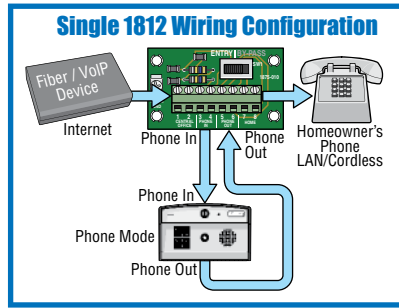
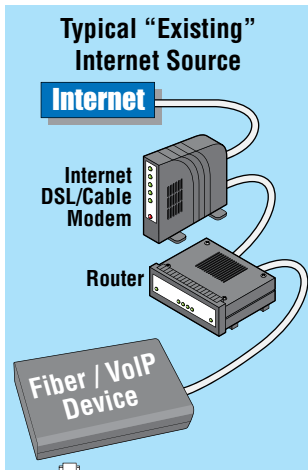


Low Voltage Surge Suppressor

DoorKing Surge Suppressor P/N 1878-010 (or equivalent) is optional but highly recommended. For best protection, surge suppressor ground wire **MUST** be 3-ft. or less in length. Use minimum 12 AWG wire. **Refer to instruction sheet included with surge board for complete information.**



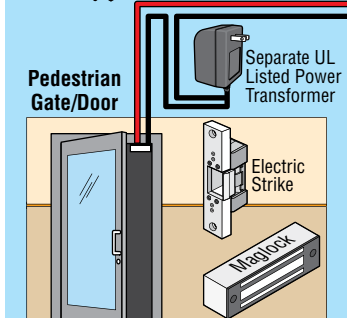
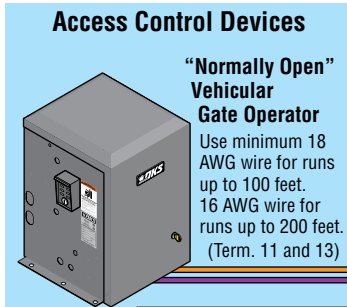
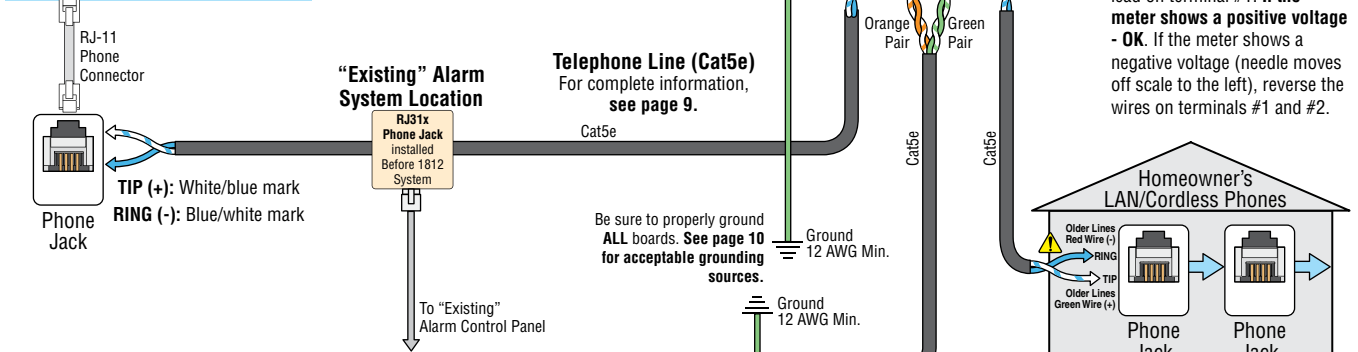
1.7 Wire One 1812 to the Internet - Telephone Mode



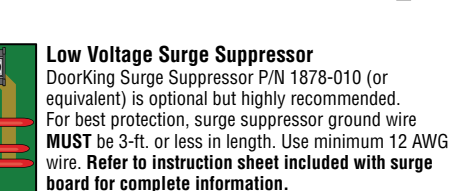
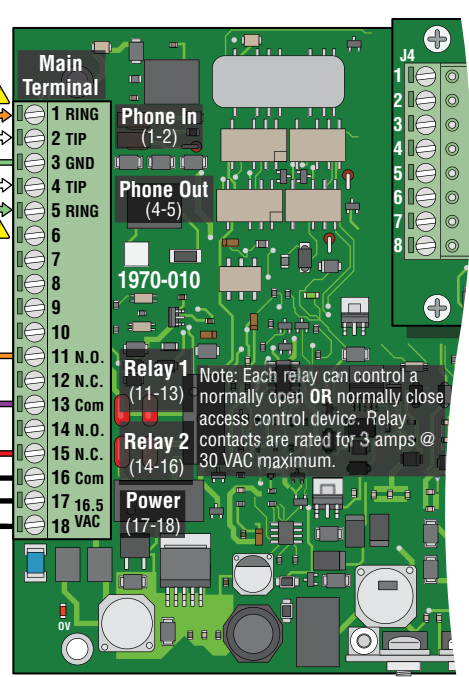
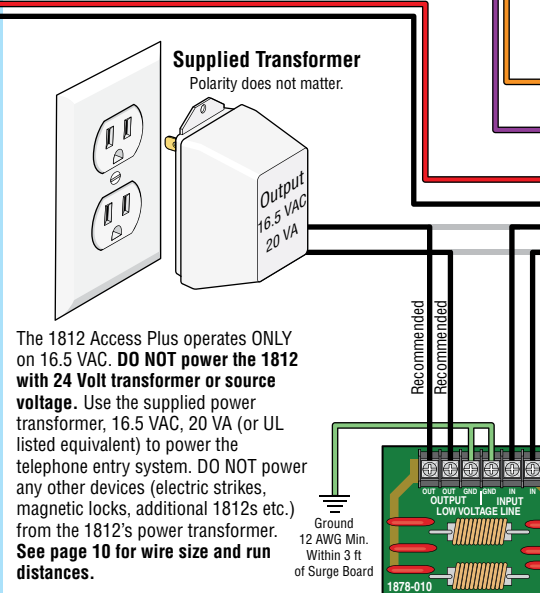
By-Pass Board
The By-Pass board is **NOT** optional and must be installed as part of the 1812 "Telephone Mode" system.
See page 8 for complete information.
Single 1812:
PHONE IN #3 connects to Main Term #1.
PHONE IN #4 connects to Main Term #2.
PHONE OUT #5 connects to Main Term #5.
PHONE OUT #6 connects to Main Term #4.

Check Polarity of Telephone Line
Check for polarity on the incoming telephone line to each board and maintain polarity throughout the telephone line. One potential problem checked when a malfunction occurs in a telephone entry system is to see if the telephone line has been wired to each board with the correct polarity.

Test Example: By-pass board's CENTRAL OFFICE terminals #1 and #2. Terminal #2 must be positive (Tip +) with respect to terminal #1 (Ring -). Set a VOM meter to measure DC volts. Place the positive lead on terminal #2 and the negative lead on terminal #1. **If the meter shows a positive voltage - OK.** If the meter shows a negative voltage (needle moves off scale to the left), reverse the wires on terminals #1 and #2.



"Normally Close" with Maglock (Terminal 15 and 16)
"Normally Open" with Electric Strike (Terminal 14 and 16)
Magnetic locks or electric strikes must be powered from a separate UL Listed power transformer. **DO NOT** power strikes or magnetic locks from the 1812 power transformer. Use minimum 18 AWG wire for runs up to 100 feet; 16 AWG wire for runs up to 200 feet. It is recommended to keep power wire runs as short as possible.



1.8 Wire Multiple 1812s: Telco/Internet - Telephone Mode

Use the previous 2 page's wiring diagrams and information to wire multiple 1812s **except** for the By-Pass board's "PHONE IN" and "PHONE OUT" terminal connections. **Up to five (5) 1812s may be wired in series** to the By-Pass board using the method shown on this page: 1st 1812's PHONE OUT to 2nd 1812's PHONE IN; 2nd 1812's PHONE OUT to 3rd 1812's PHONE IN, etc. Connect the last 1812's PHONE OUT back to By-Pass board's PHONE OUT.

By-Pass Board

The By-Pass board is **NOT** optional and must be installed as part of multiple 1812s "Telephone Mode" system.

See page 8 for complete information.

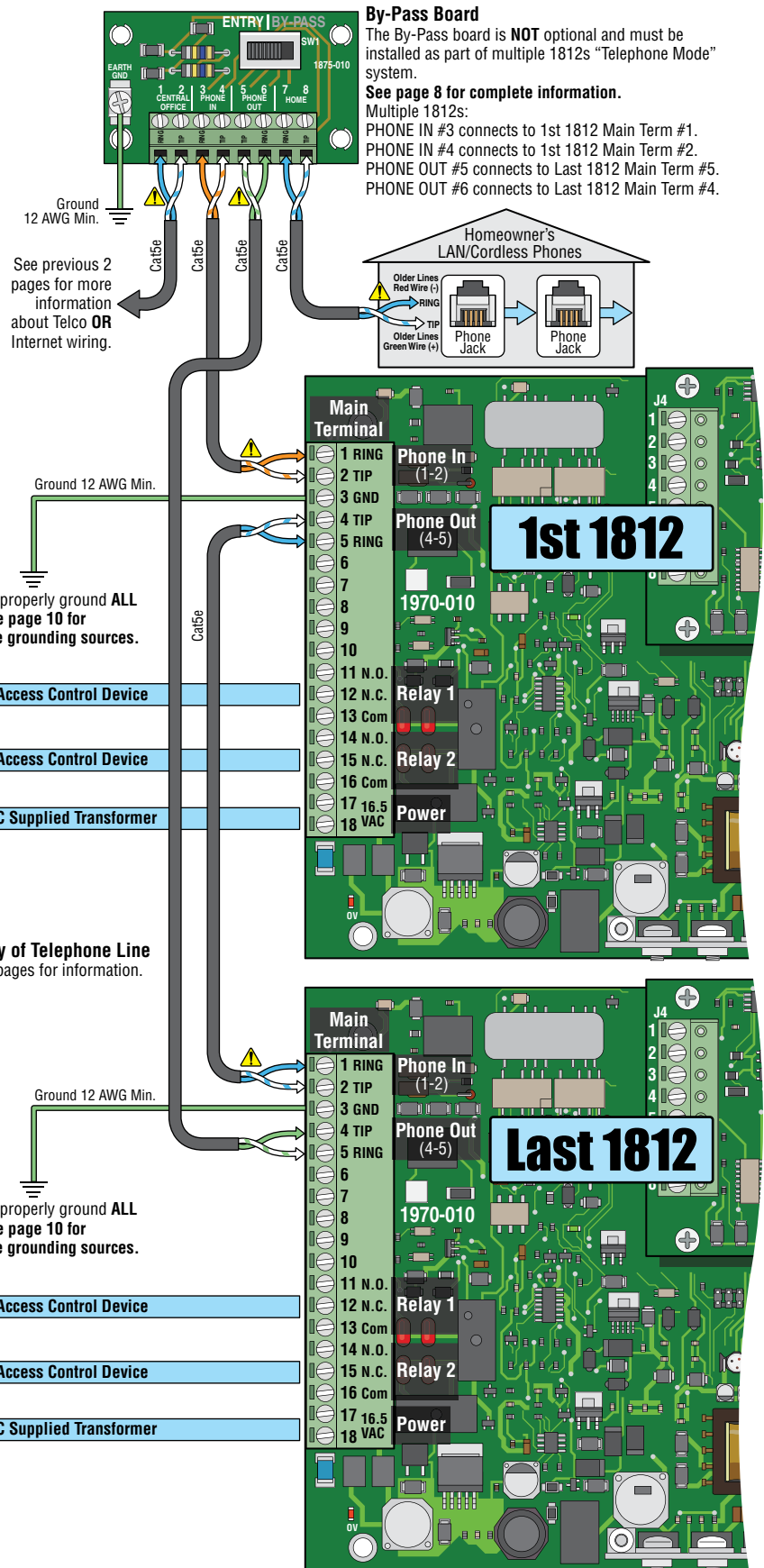
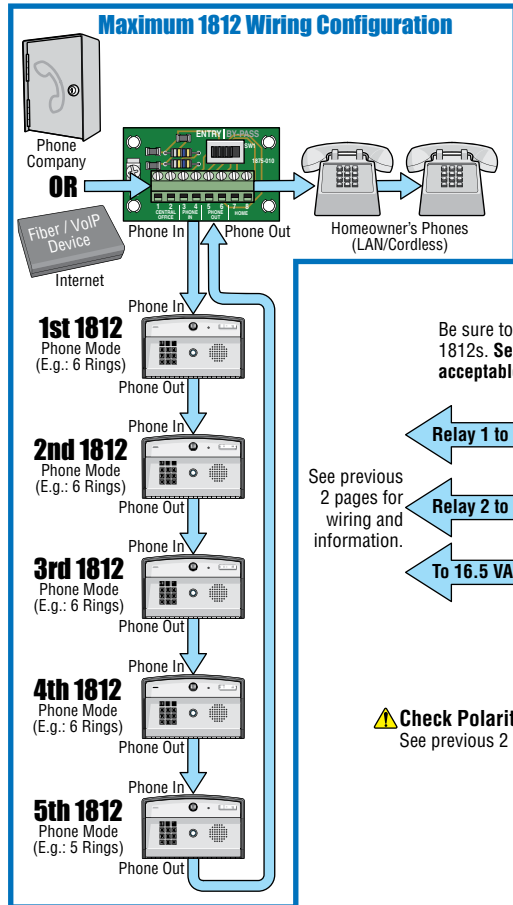
Multiple 1812s:

PHONE IN #3 connects to 1st 1812 Main Term #1.

PHONE IN #4 connects to 1st 1812 Main Term #2.

PHONE OUT #5 connects to Last 1812 Main Term #5.

PHONE OUT #6 connects to Last 1812 Main Term #4.



Note: Each 1812 must be programmed for **MULTIPLE SYSTEMS**, have a unique **ATTENTION NUMBER** (See 2.4.2 and 2.4.3) and have a unique **MASTER CODE** (See 2.1).

Note: The **LAST** 1812 wired in the series must have its "Number of Rings" programmed for **1 LESS** than any other of the 1812s in the series (see 2.4.9).

See previous 2 pages for wiring and information.

Be sure to properly ground ALL 1812s. See page 10 for acceptable grounding sources.

Relay 1 to Access Control Device

Relay 2 to Access Control Device

To 16.5 VAC Supplied Transformer

⚠ Check Polarity of Telephone Line
See previous 2 pages for information.

Be sure to properly ground ALL 1812s. See page 10 for acceptable grounding sources.

Relay 1 to Access Control Device

Relay 2 to Access Control Device

To 16.5 VAC Supplied Transformer

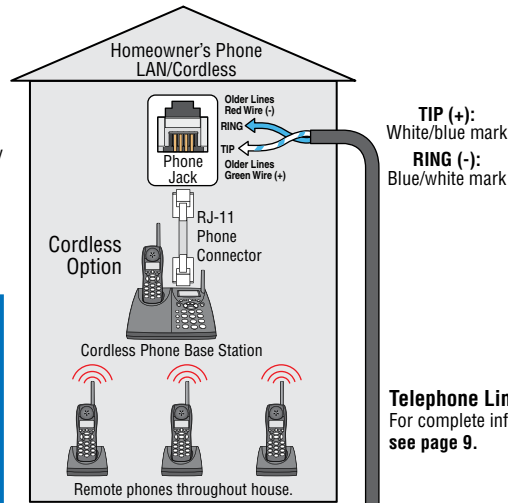
1.9 Wire One 1812 - Intercom Mode

Connect to Homeowner's Telephone

When connecting directly to a single telephone or an un-used C.O. port on a PBX or KSU system, use the PHONE OUT terminals only in the 1812. It must be programmed for INTERCOM mode using this configuration.

When the 1812 is programmed for intercom mode, it provides the constant source of DC voltage necessary for communication. The intercom mode also disconnects the "PHONE IN" terminals (1 and 2) since they are not used.

Be sure that the 1812 is programmed in the intercom mode.



TIP (+):
White/blue mark
RING (-):
Blue/white mark

Telephone Line
For complete information, see page 9.

Wireless Adapter

DO NOT wire the wireless adapter to the PHONE OUT main terminal connection. Please refer to the "Wireless Adapter" manual 1815-560 for correct wiring.

Single 1812 Wiring Configuration

Access Control Devices

"Normally Open" Vehicular Gate Operator

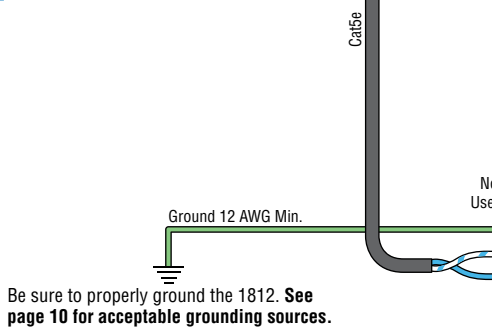
Use minimum 18 AWG wire for runs up to 100 feet. 16 AWG wire for runs up to 200 feet. (Term. 11 and 13)

Pedestrian Gate/Door

"Normally Close" with Maglock
(Terminal 15 and 16)

"Normally Open" with Electric Strike
(Terminal 14 and 16)

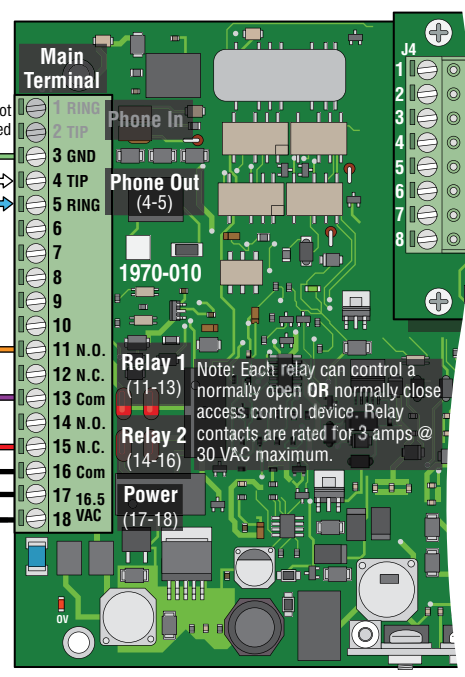
Magnetic locks or electric strikes must be powered from a separate UL Listed power transformer. **DO NOT** power strikes or magnetic locks from the 1812 power transformer. Use minimum 18 AWG wire for runs up to 100 feet; 16 AWG wire for runs up to 200 feet. It is recommended to keep power wire runs as short as possible.



Be sure to properly ground the 1812. See page 10 for acceptable grounding sources.

Supplied Transformer
Polarity does not matter.

The 1812 Access Plus operates ONLY on 16.5 VAC. DO NOT power the 1812 with 24 Volt transformer or source voltage. Use the supplied power transformer, 16.5 VAC, 20 VA (or UL listed equivalent) to power the telephone entry system. DO NOT power any other devices (electric strikes, magnetic locks, additional 1812s etc.) from the 1812's power transformer. See page 10 for wire size and run distances.



Low Voltage Surge Suppressor
DoorKing Surge Suppressor P/N 1878-010 (or equivalent) is optional but highly recommended. For best protection, surge suppressor ground wire **MUST** be 3-ft. or less in length. Use minimum 12 AWG wire. Refer to instruction sheet included with surge board for complete information.

1.10 Wire Multiple 1812s - Intercom Mode

Up to five (5) 1812s may be wired in series using the method shown: 1st 1812's PHONE IN to 2nd 1812's PHONE OUT; 2nd 1812's PHONE IN to 3rd 1812's PHONE OUT, etc.

Each 1812 must have a unique ATTENTION NUMBER (See 2.4.3) and a unique MASTER CODE (See 2.1).

The 1812 that is the furthest away from the phone or PBX / KSU system must be programmed for INTERCOM MODE. All other 1812 units in the series are programmed for TELEPHONE MODE (See 2.4.1).

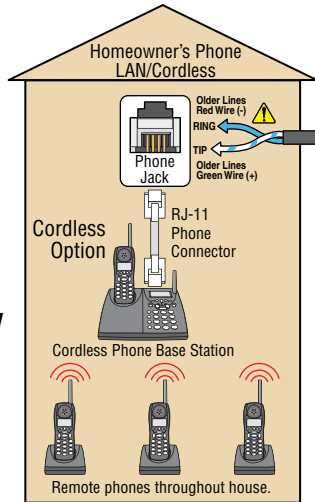
Connect to Homeowner's Telephone

Connect the 1st 1812's PHONE OUT terminals directly to homeowner's phone or an un-used C.O. port on a PBX or KSU system.

⚠ Check Polarity of Telephone Line

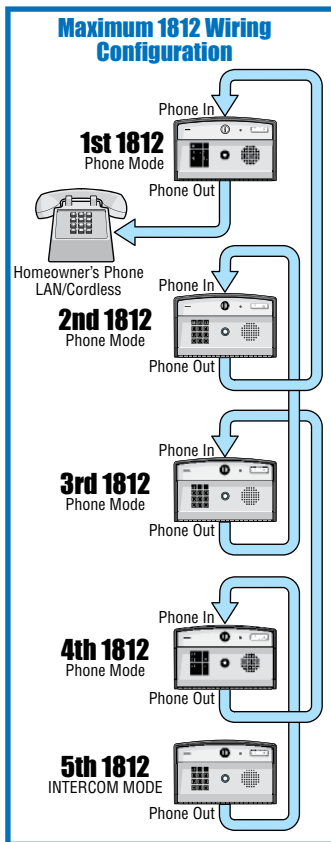
Check for polarity on the incoming telephone line to each 1812 board and maintain polarity throughout the telephone line to the homeowner's phone. One potential problem checked when a malfunction occurs in a telephone entry system is to see if the telephone line has been wired to each board with the correct polarity.

Test Example: 1st 1812 board's PHONE IN terminals #1 and #2. Terminal #2 must be positive (Tip +) with respect to terminal #1 (Ring -). Set a VOM meter to measure DC volts. Place the positive lead on terminal #2 and the negative lead on terminal #1. If the meter shows a positive voltage - OK. If the meter shows a negative voltage (needle moves off scale to the left), reverse the wires on terminals #1 and #2.



TIP (+):
White/blue mark
RING (-):
Blue/white mark

Telephone Line
For complete information, see page 9.



Wireless Adapter

DO NOT wire the wireless adapter to the PHONE OUT main terminal connection. Please refer to the "Wireless Adapter" manual 1815-560 for correct wiring.

See previous page for wiring and information on relays and power transformer.

⚠ When multiple 1812 systems are connected together, maintain common polarity on ALL phone lines.

Be sure to properly ground ALL 1812s. See page 10 for acceptable grounding sources.

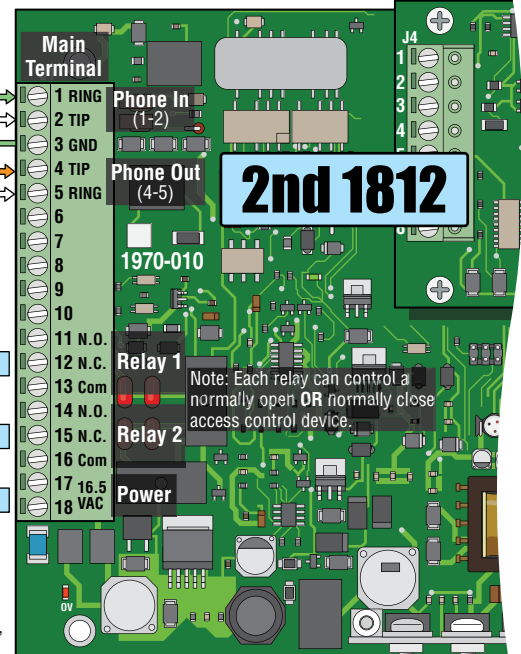
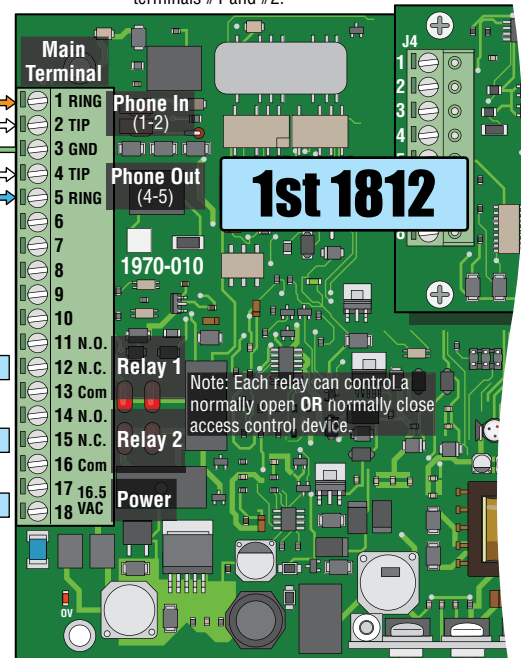
- ← Relay 1 to Access Control Device
- ← Relay 2 to Access Control Device
- ← To 16.5 VAC Supplied Transformer

Be sure to properly ground ALL 1812s. See page 10 for acceptable grounding sources.

See previous page for wiring and information on relays and power transformer.

- ← Relay 1 to Access Control Device
- ← Relay 2 to Access Control Device
- ← To 16.5 VAC Supplied Transformer

To the next 1812's PHONE OUT terminals 4 and 5 wired in the series, if desired.

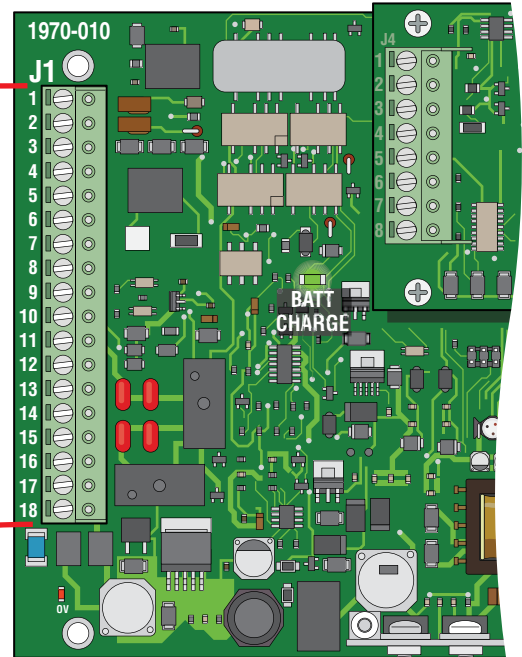


1.11 Main Terminal Description

- OR **Phone In** (Twisted Pair) 1. Phone In (Negative - Ring)
- Wireless Adapter** 2. Phone In (Positive - Tip)
- 3. Ground (Required)
- Phone Out** (Twisted Pair) 4. Phone Out (Positive - Tip)
- 5. Phone Out (Negative - Ring)
- 6. Not Used.
- Emergency and/or Postal Entry Switch** 7. Switch Input Relay 1. A switch closure across terminals 7 & 9 will activate relay 1 for its programmed strike time.
- 8. Switch Input Relay 2. A switch closure across terminals 8 & 9 will activate relay 2 for its programmed strike time.
- Back-Up Battery Power** 9. - 12 VDC Battery Negative. Also **Common** for terminals 7 & 8.
- 10. + 12 VDC Battery Positive.
- Relay 1** (Access Control Device) 11. Relay 1 Normally Open
- 12. Relay 1 Normally Closed
- 13. Relay 1 **Common**
- Relay 2** (Access Control Device) 14. Relay 2 Normally Open
- 15. Relay 2 Normally Closed
- 16. Relay 2 **Common**
- Input Power** (Transformer) 17. 16.5 VAC Input Power
- 18. 16.5 VAC Input Power

WARNING Maximum input voltage to terminals 9 and 10 is 14.5 Volts DC.

BATT CHARGE LED: When battery is connected to 9 and 10, Green LED will light when charging and turn OFF when charged.



1.12 Access Plus Interface Board

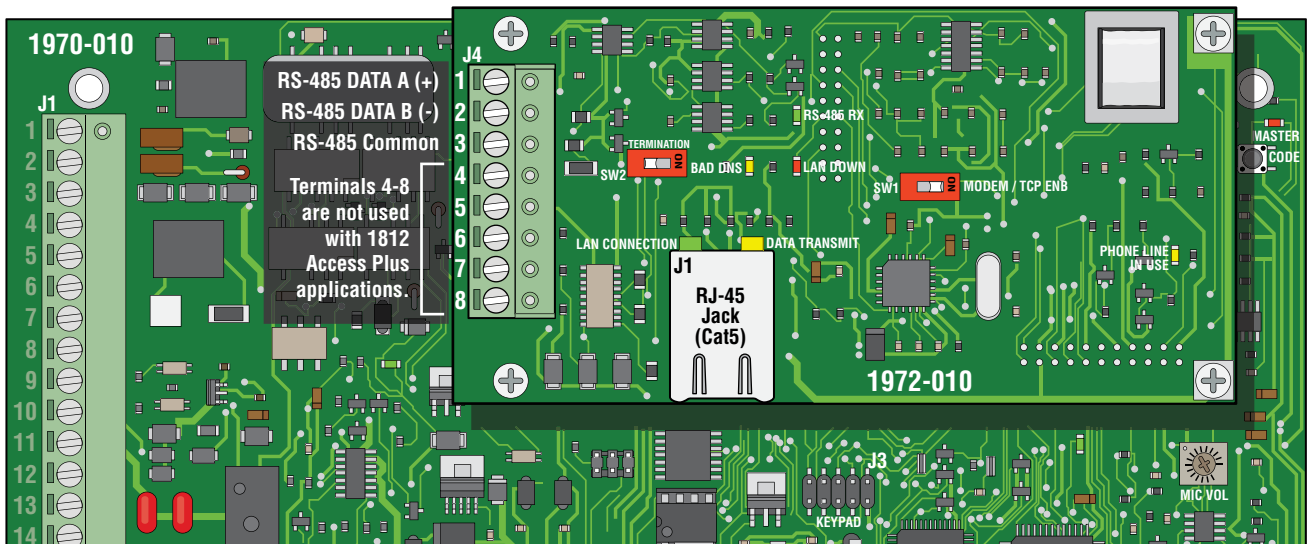
The 1812 Access Plus interface board (1972-010) is piggybacked onto the main 1812 Plus circuit board (1970-010). The interface board provides additional connections to the 1812 for keypads, card readers and/or RF receivers using RS-485 communication protocol.

The 1812 Access Plus can be programmed via a PC using a network or modem connection. An RJ-45 jack (Cat5) is provided on the interface board for network connections.

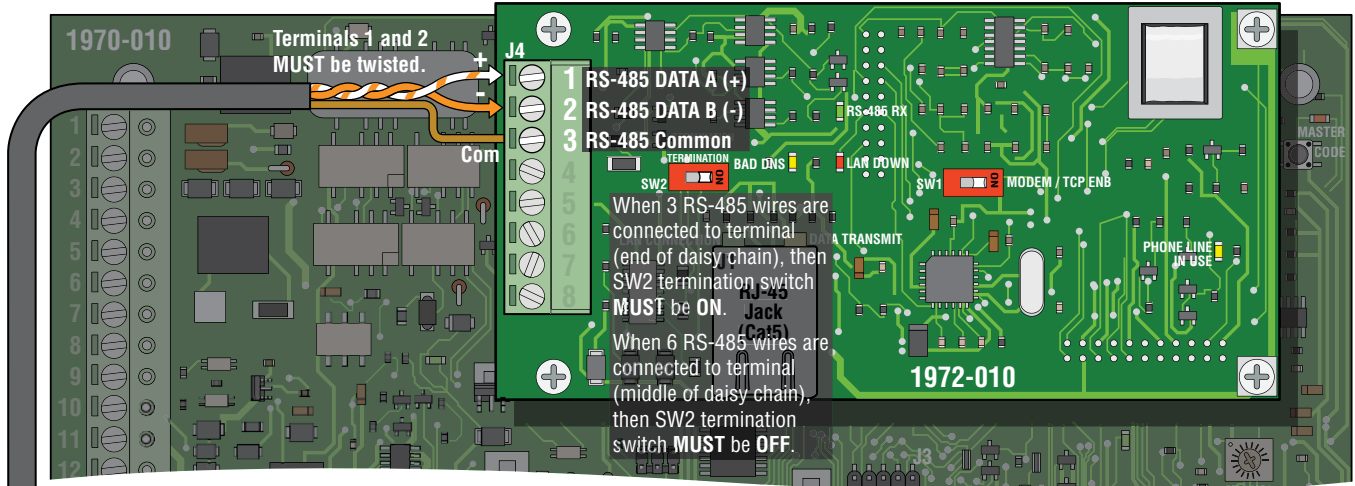
1.12.1 RS-485 8-Pin Connector Description

Use the RS-485 terminals to add up to six (6) card readers, keypads and/or RF receivers to the 1812 Access Plus system. These devices must be wired in a daisy-chain format with a maximum wire run distance of 4000 feet. We recommend that you use Cat5e wire for all RS-485 wire runs.

DO NOT power RS-485 devices from the 1812. These devices must be supplied with their own power source. Refer to the individual device wiring instructions for connection information and wiring guidelines for these products.

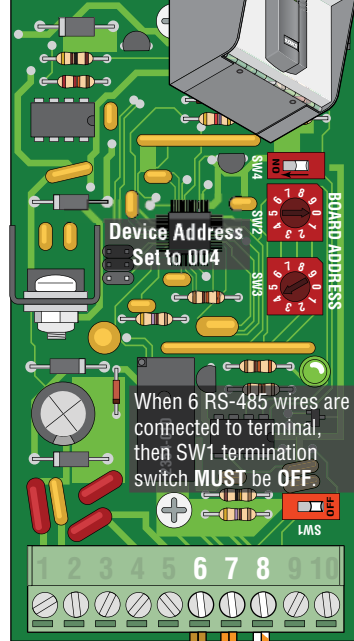


RS-485 Daisy Chain Wiring

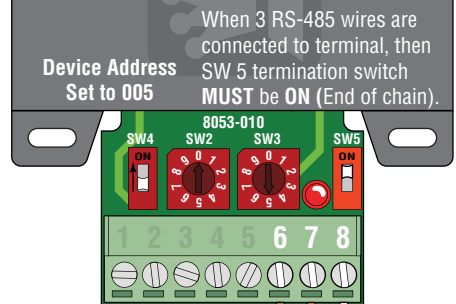


The wires connecting terminals 1 & 2 from the 1812 Access Plus system to terminals 8 & 7 on the DoorKing RS-485 boards MUST be twisted. **We recommend that you use Cat5e cable for all the RS-485 connections (See section 1.3 for wire size and run distances table).** Use one twisted pair to connect these terminals (terminal 1 connects to terminal 8; terminal 2 connects to terminal 7) and then one wire from another twisted pair to connect the common terminal (terminal 3 from the 1812 Access Plus system to terminal 6 on the RS-485 board).

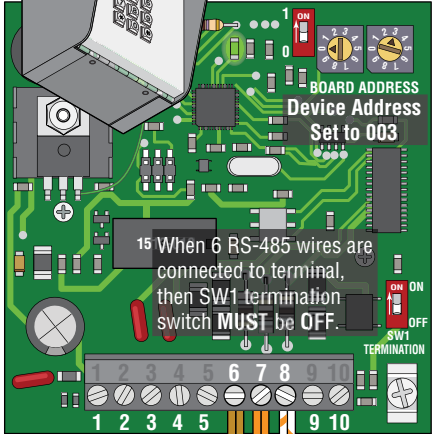
RS-485 Cardreader



RS-485 MicroPlus RF Receiver



RS-485 Keypad



If wiring will be outdoors or underground, use Cat5e Gel Filled (flooded) UV Resistant Direct Burial Cable.

Any RS-485 Keypad, Cardreader and MicroPlus RF Receiver sequence allowed. Maximum distance from end to end is 4000 feet in a Daisy Chain format as shown, see next page for different RS-485 wiring configurations.

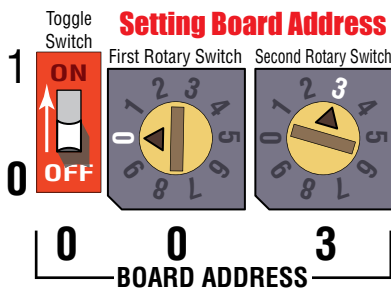
Do Not power RS-485 devices from the 1812 access plus system. RS-485 devices must be powered from their own power source. Refer to the individual device wiring instructions for connection information and wiring guidelines for these products.

RS-485 Configurations

RS-485 Device Addresses

Every RS-485 device (keypad, card reader, MicroPlus RF receiver) must have a unique address assigned to it, starting with 003. The address selector switches are located on the RS-485 circuit board (see instruction sheets that come with each RS-485 device). The address order of the devices connected to the 1812 Access Plus system does not matter. What is important is that the addresses must be numbered in sequence. **Do not skip a number in the address sequence and start the sequence with 003**

(e.g. If three (3) RS-485 devices are daisy chain wired to the 1812 and their addresses are 003, 004 and 006, this is wrong. They must be addressed 003, 004 and 005).



The 2 internal relays on the 1812 Access Plus system circuit board are 001 and 002. **Valid RS-485 external device addresses for use with the 1812 Access Plus system are 003, 004, 005, 006, 007 and 008.**

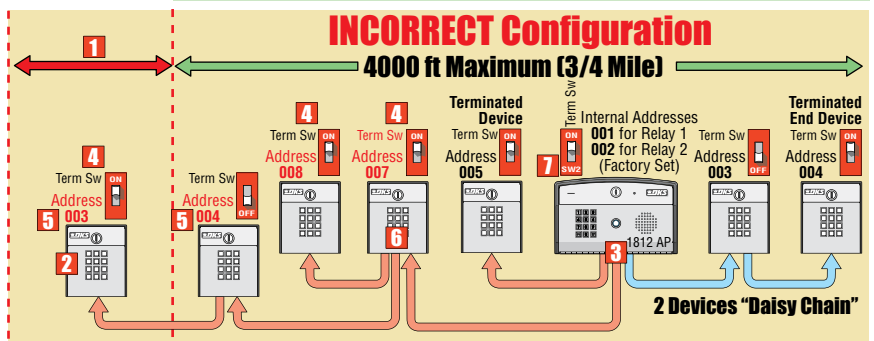
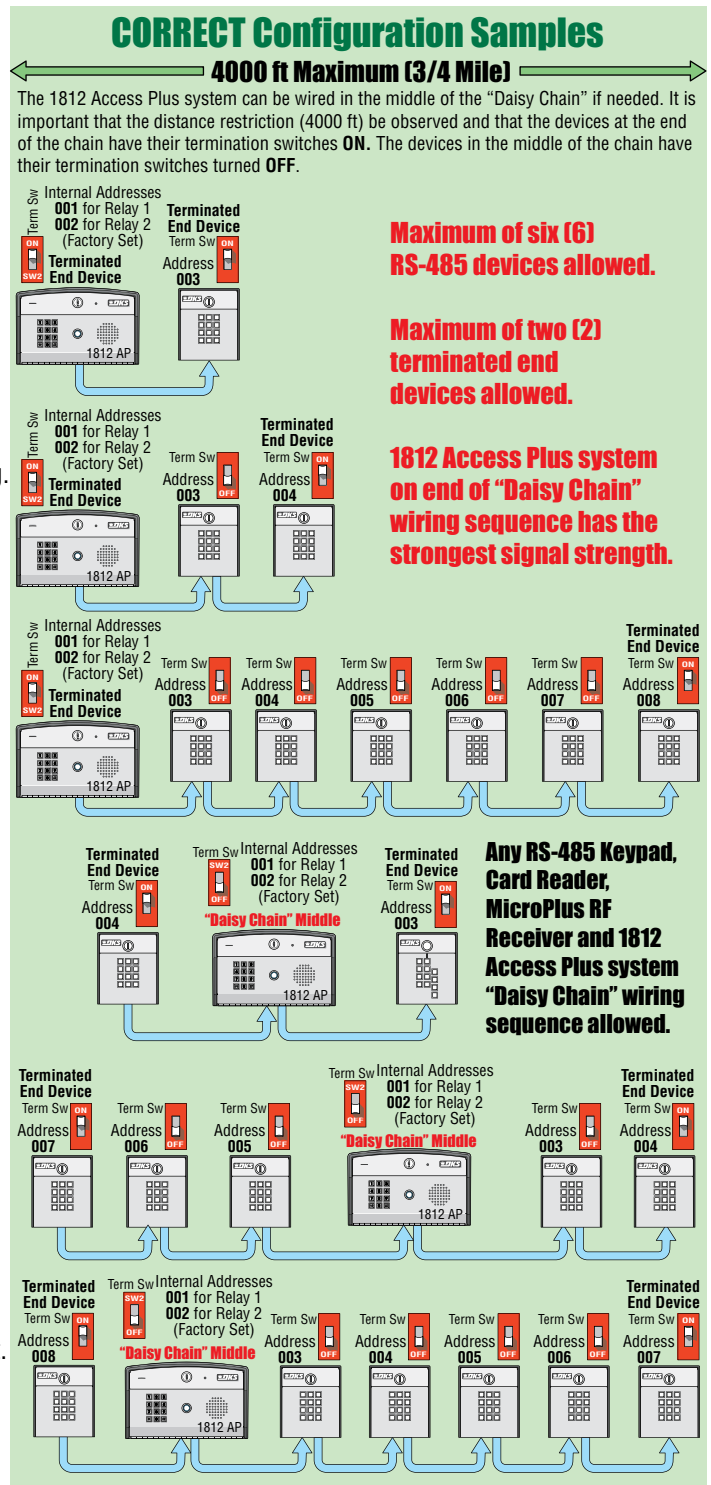
Important Note: The device address is referred to as a “Relay Number” in the programming software.

Termination Switches

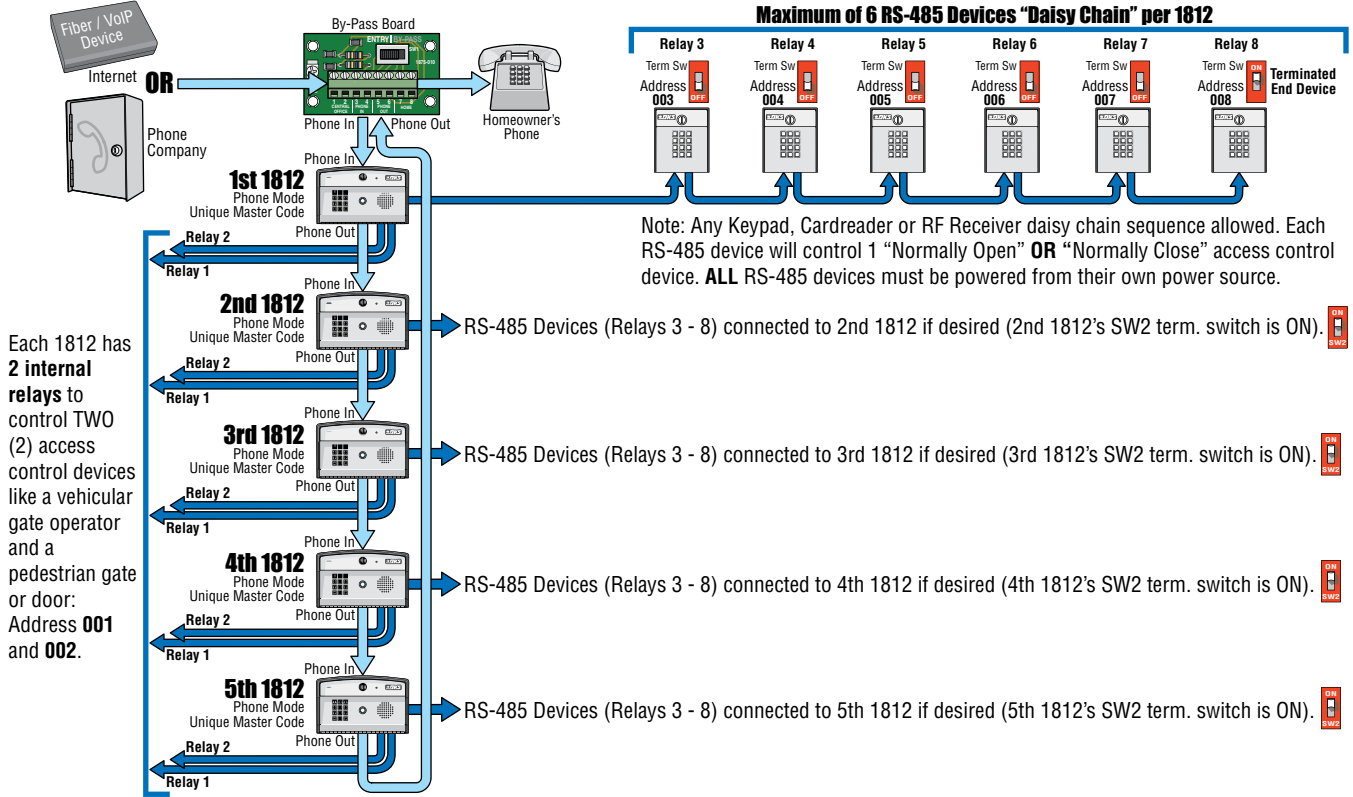
A termination switch is located on **every** circuit board. The termination switch must be **OFF** for every device wired in the middle of the daisy chain. The devices at each end of the daisy chain must have their termination switches **ON**.

Some Configuration Problems to Avoid:

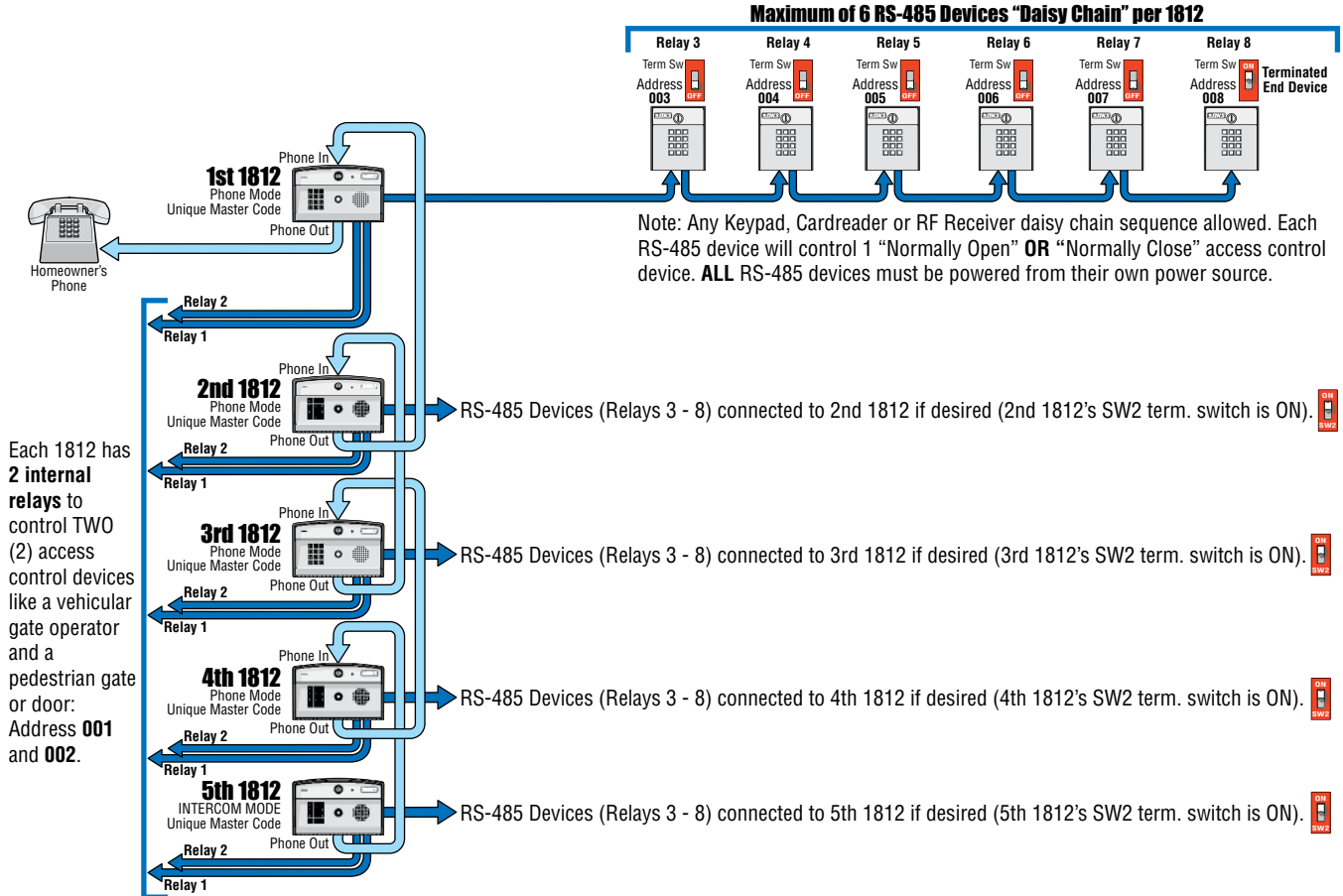
- 1 Total distance for complete wire run is greater than 4000 ft.
- 2 There are more than 6 RS-485 devices.
- 3 There are more than 2 wire runs coming out of the 1812 Access Plus system.
- 4 There are more than 2 end devices terminated and/or incorrect end device terminations (Not turned **ON**).
- 5 There are more than 6 addresses and/or duplicate or skipped addresses.
- 6 An RS-485 device can not have 2 RS-485 devices separately continued from it.
- 7 The 1812 must have it's SW2 termination switch turned OFF when 2 terminated end devices are being used.



Telephone Mode - Sample of Multiple 1812 AP Configuration Connection



Intercom Mode - Sample of Multiple 1812 AP Configuration Connection



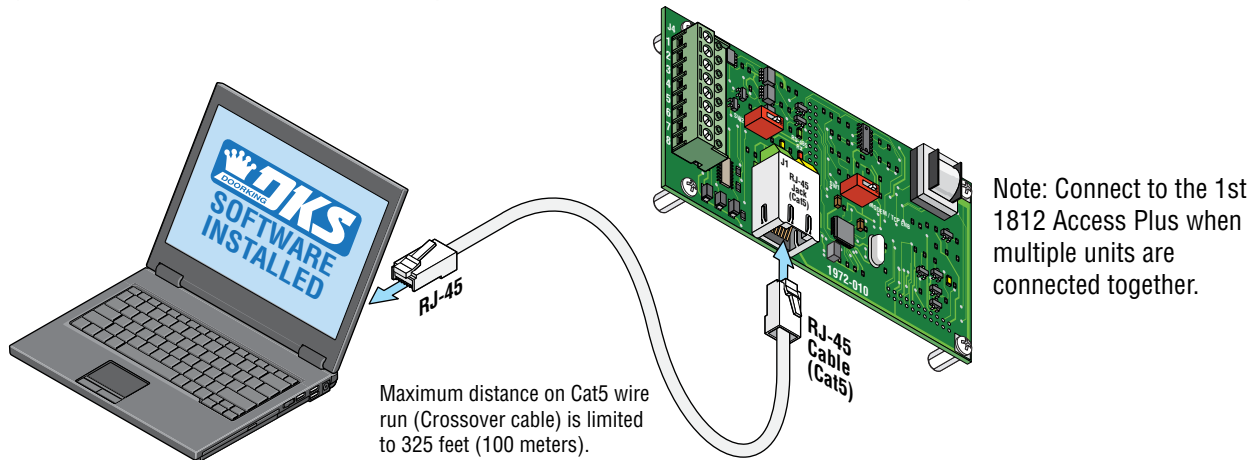
1.12.2 Network Connections

There are a number of ways to communicate with the 1812 Access Plus via a network connection. Before any programming can be attempted, you need to install the 1812 programming software on the computer you want to use for this purpose. The computer must have a network card installed. Follow the instructions in the 1812 programming software help guide and refer to section 2.3 for setup information.

Using a network connection, you can connect to the 1812 Access Plus in one of four different ways:

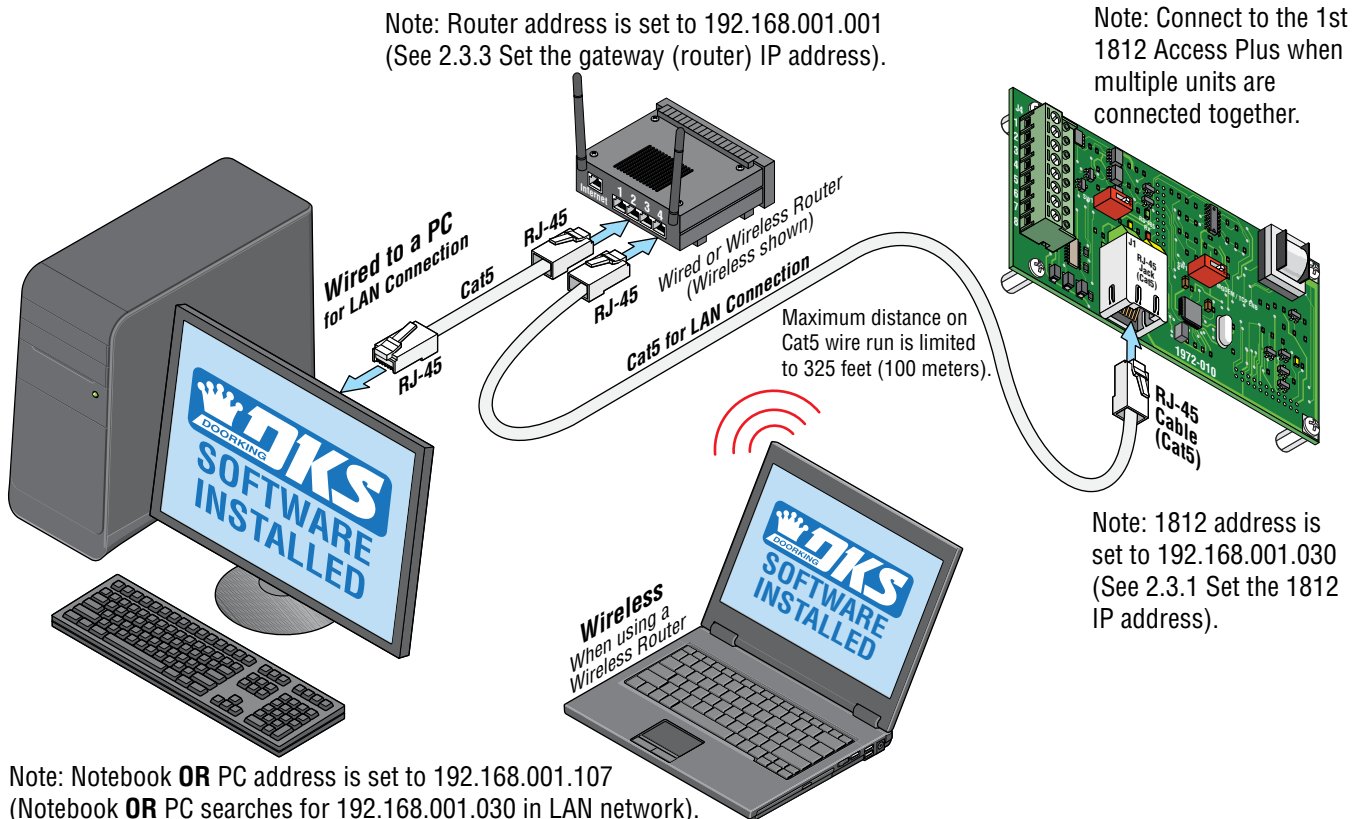
Direct Connection Using a Crossover Cable

Locally with a direct connection from the computer to the 1812 Access Plus using a commercially available crossover cable.



Direct Connection Using a Router (LAN)

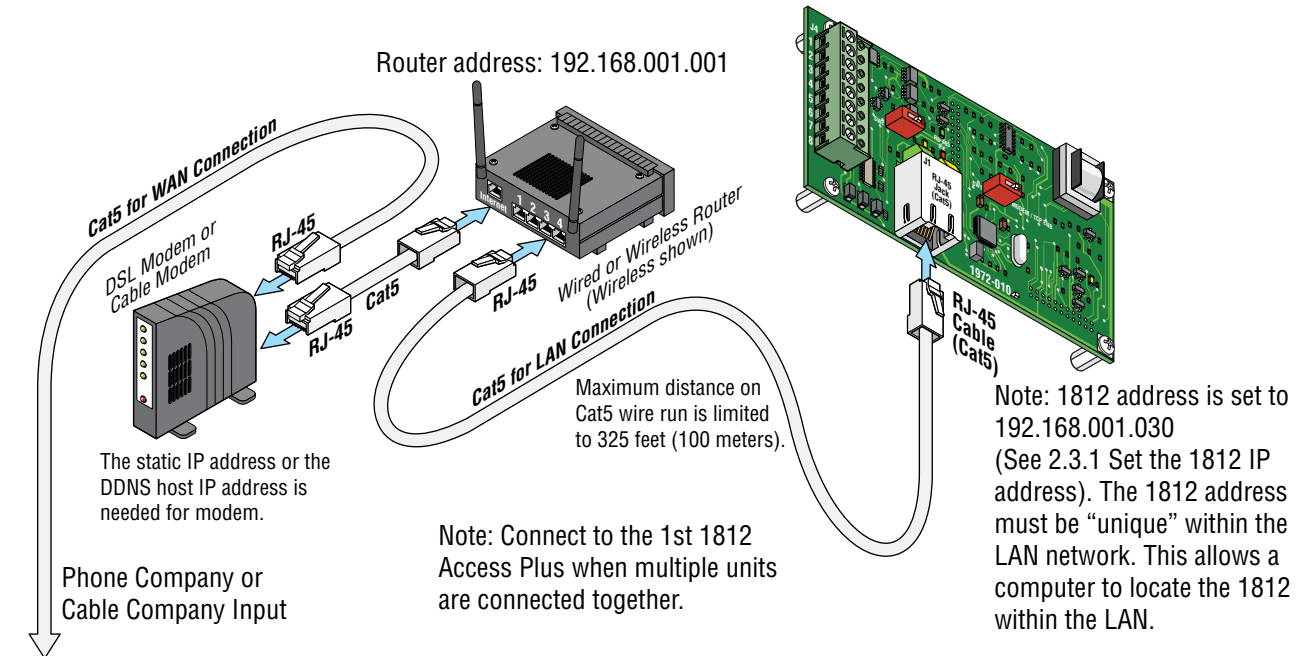
Locally by connecting the computer to the 1812 Access Plus through a router. This is a Local Area Network (LAN) connection.



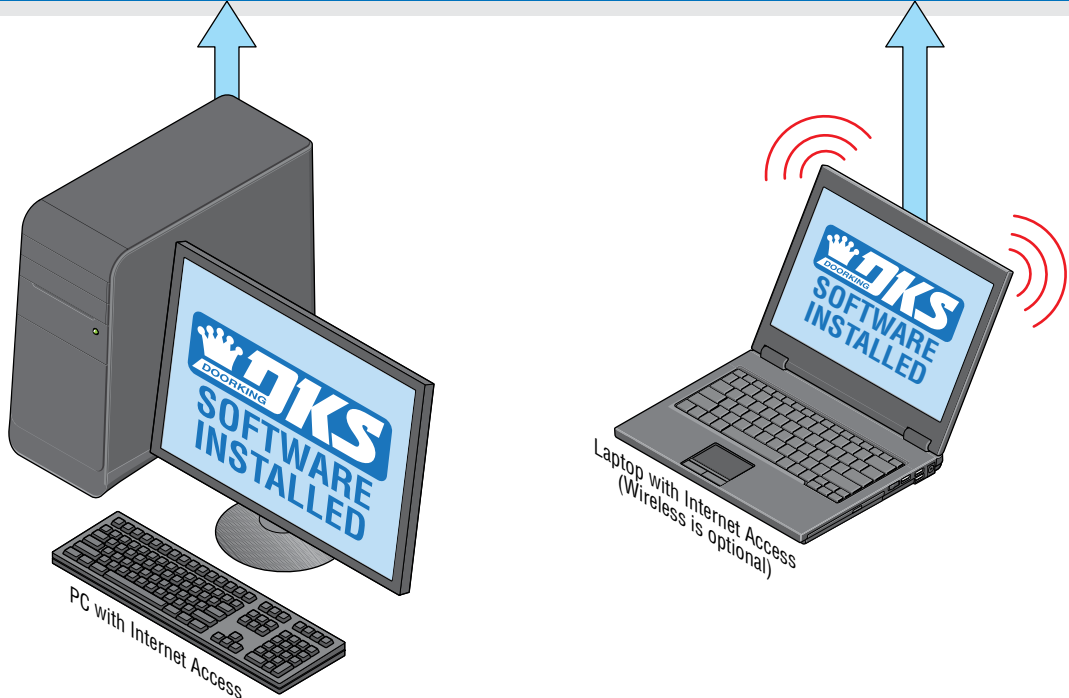
Through the Internet (WAN)

- Through the internet with a **static IP address**. This is a Wide Area Network (WAN) connection and will require a router and a DSL or cable modem with an internet connection.
- Through the internet with a **dynamic IP address**. This is a Wide Area Network (WAN) connection and will require a router and a DSL or cable modem with an internet connection. You will also need a registered DDNS host name.

Note: The gateway address must set into the 1812. This allows the 1812 to “register” with the LAN 192.168.001.001 (See 2.3.3 Set the gateway (router) IP address).



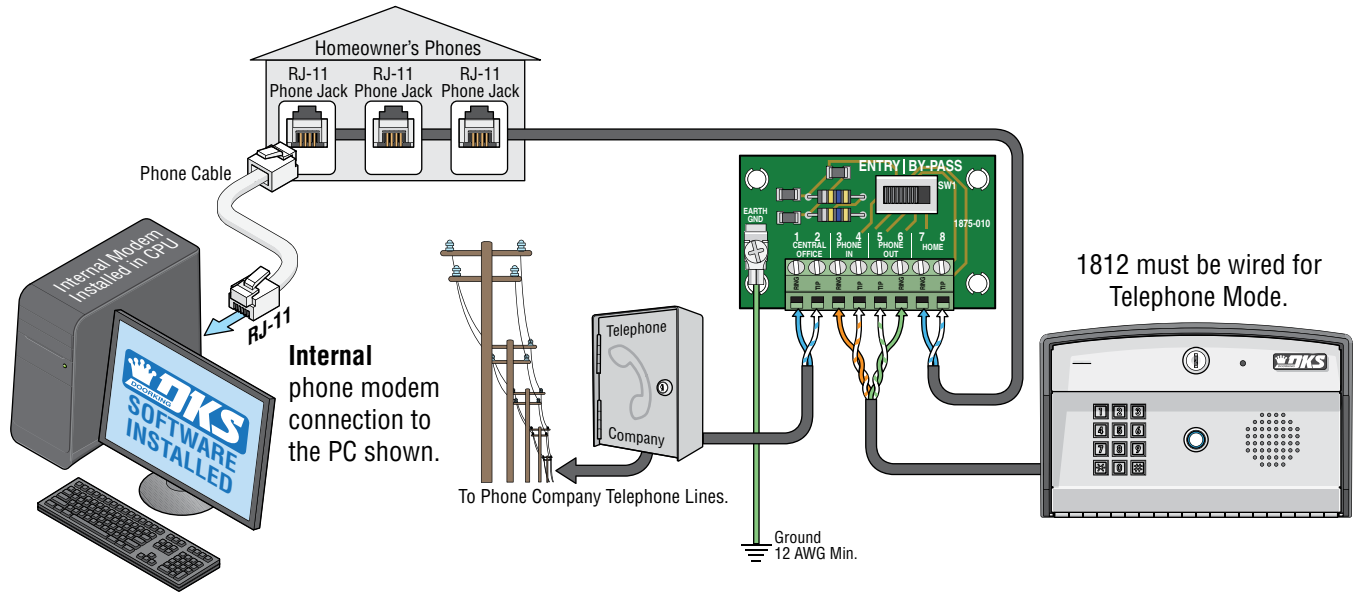
Internet



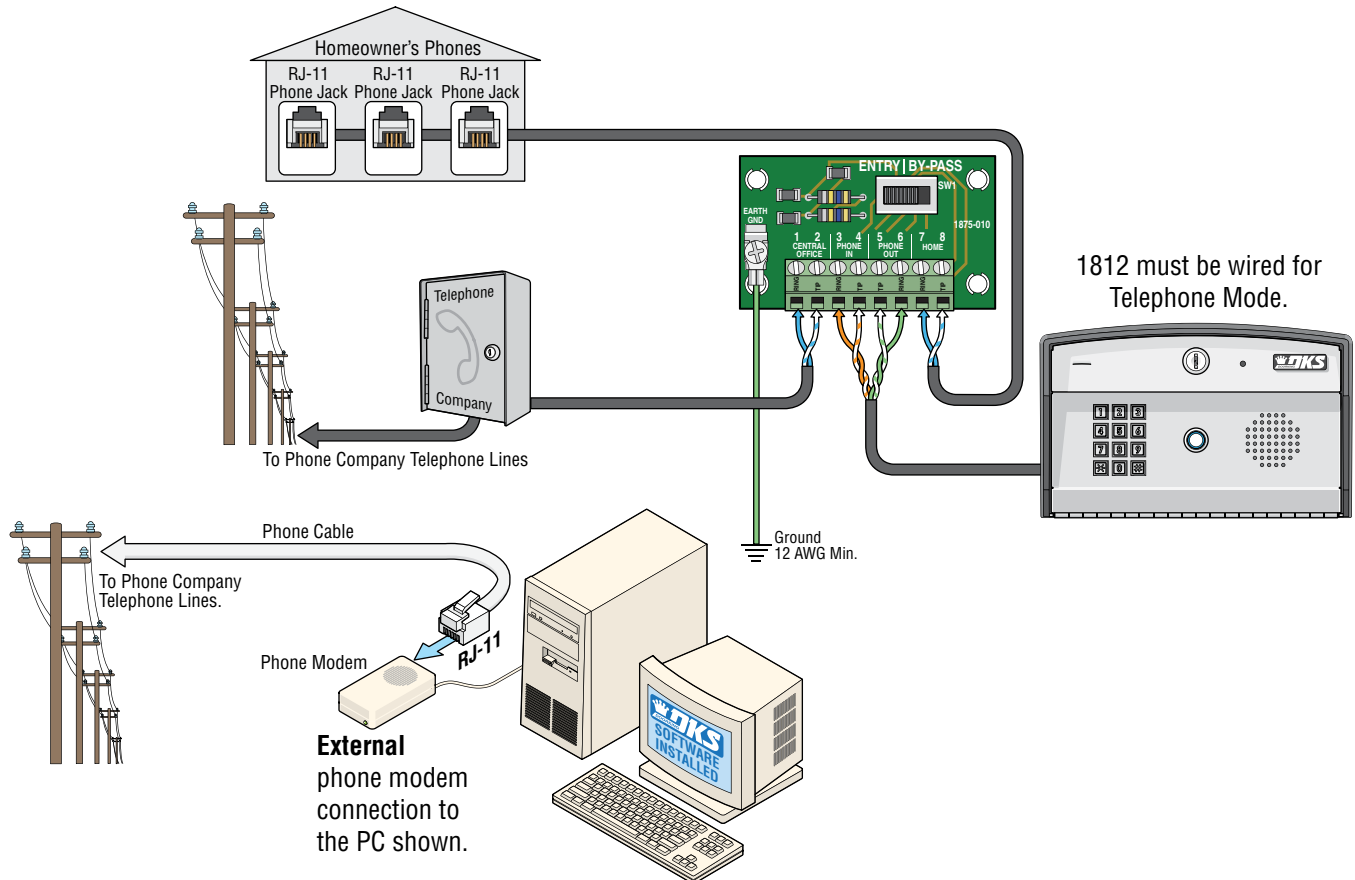
1.12.3 Phone Modem Connections

The 1812 Access Plus has a built-in modem that can be used to connect to a PC. Before programming can be attempted, you need to install the 1812 programming software on the computer you want to use for this purpose. **The computer must have an internal phone modem installed in it OR an external phone modem connected to it.** Follow the instructions in the 1812 programming software help guide for setup information.

Phone Modem Connection: 1812 and PC connected on the **SAME** phone line.



Phone Modem Connection: 1812 and PC connected on **DIFFERENT** phone lines.



SECTION 2 - PROGRAMMING

Before You Start Programming: IMPORTANT! Make sure the 1812 has power and we strongly suggest that you become familiar with these programming instructions before beginning any programming of the 1812 Access Plus system.

The 1812 has been programmed at the factory with many of the programming parameters already set (default setting) for a typical residential application with a single 1812. There is no need to reprogram these parameters unless you want to change them. For easy reference, refer to the chart on page 31 that list the various programming functions and their default settings.

2.1 Programming the Master Code

This programming step sets the system MASTER CODE. The master code is the four-digit number **required to gain access to the system memory**.

The 1812 comes from the factory **WITHOUT** a master code programmed into it. **You MUST program a MASTER CODE.**



The Master Code can **ONLY** be programmed from the system keypad.  System Keypad

Step 1. Open the cabinet of the 1812 and press the master code button (See below). The **Blinking** LED right above the button will remain **ON**.

Note: After you press the master code push button, the blinking LED will stay **ON** indicating that you are in the master code programming sequence. If a master code is not entered within **10 seconds**, the master code program sequence will automatically end and the LED will return to a **blinking** state indicating that you have exited the master code programming sequence.

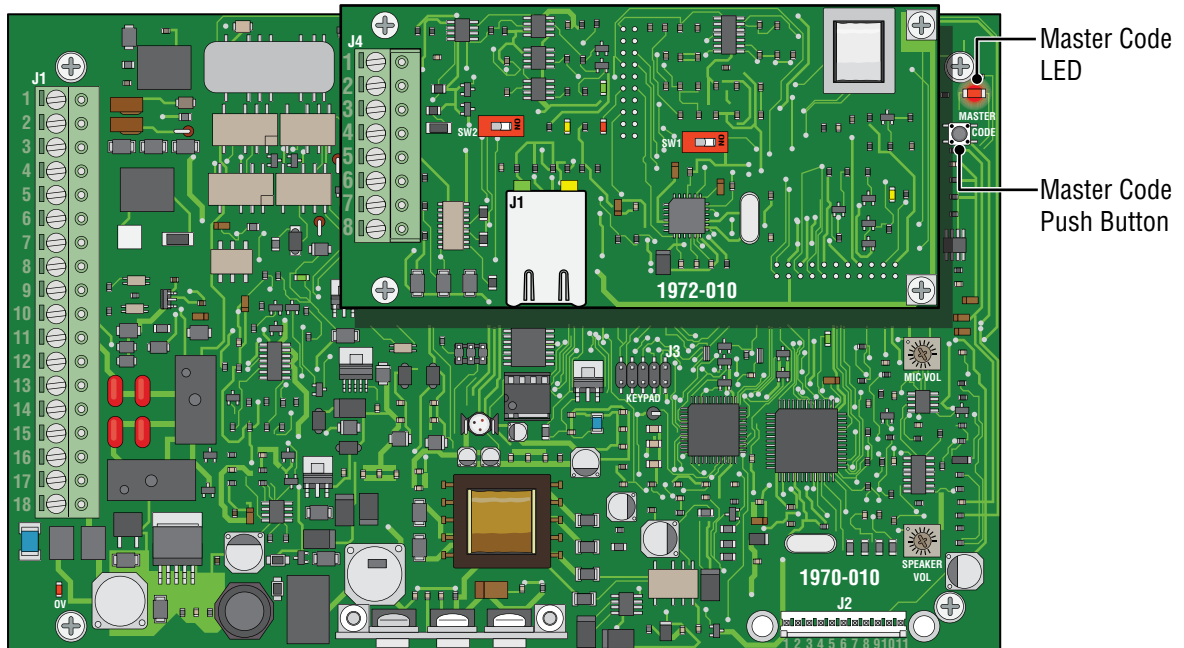
Step 2. Enter a four-digit master code then press *.



Actual keystrokes used on system keypad:  any four numbers Then  **"BEEP"**
Same keystrokes as written in this manual: [_ _ _ _ * (beep)]

Multiple 1812 Master Codes Note: The master code number is used to distinguish each 1812 when multiple 1812s are connected together. They **CAN NOT** function together with duplicate master codes.

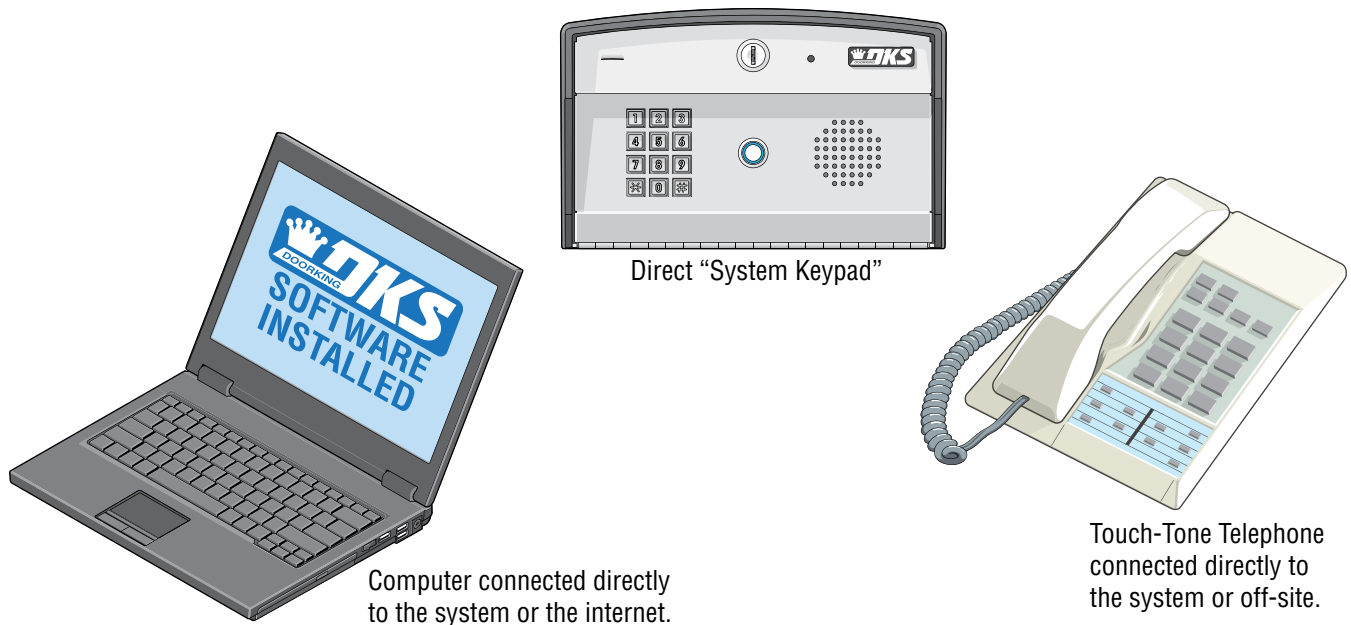
Step 3. The LED will revert to **Blinking**. Close the cabinet. **You should write down your master code, see note below.**



Programming Documentation Note: There are programming log sheets in the back of this manual to document your specific master code, and keep track of all other programming that is preformed to this 1812 Access Plus. Keep this with all other system documentation for future reference. **There is no way of retrieving the master code after it has been programmed in.** If you forget it, you will have to program in a new one but all other previously programmed information will remain intact.

2.2 Programming Methods

The 1812 Access Plus can be programmed from a computer, the system keypad (Keypad on the 1812) or from a touch-tone telephone connected to the system.



We highly recommend programming the 1812 Access Plus from a computer using the DoorKing 1812 Management software as this greatly simplifies the programming task (See section 2.3 for more information). There are also several features in the 1812 Access Plus system that **MUST** be setup using a computer.

The following features and programming parameters can only be programmed from a computer:

Strike Out: This feature can be turned ON or OFF and will set the number of invalid access codes allowed before the system shuts down for a period of time. The default is OFF. This feature is only available with software version 1.05 or later.

Holiday Schedules: Program up to 31 different Holiday schedules. This feature can be turned ON or OFF. The default is OFF.

Email Notification: Set the 1812 to send emails to a specified email address on events of your choice. Requires an Internet connection. This feature can be turned ON or OFF. It comes from the factory with this feature turned OFF (factory setting OFF). Note: When the mail server uses SSL (Secure link), the 1812 cannot send e-mails.

Transaction Log: Download and view the system transaction log.

- **Computer - PC's only, NOT for use with MACs**

This is the **preferred method of programming the 1812 Access Plus as it will simplify all of the programming steps** and allow you to enjoy all of the features and benefits available with this system. The 1812 Management software must be installed on your computer and the 1812 must be connected to the computer via one of the methods shown in section 1.12.2 or 1.12.3. Refer to the 1812 software help screens for more information.

- **System Keypad**

We strongly recommend that you become familiar with the entire programming sequence before attempting to program some of the more complex features of this system using the system keypad. **If you make a single error in the programming steps, you will have to re-do the sequence from the beginning.**

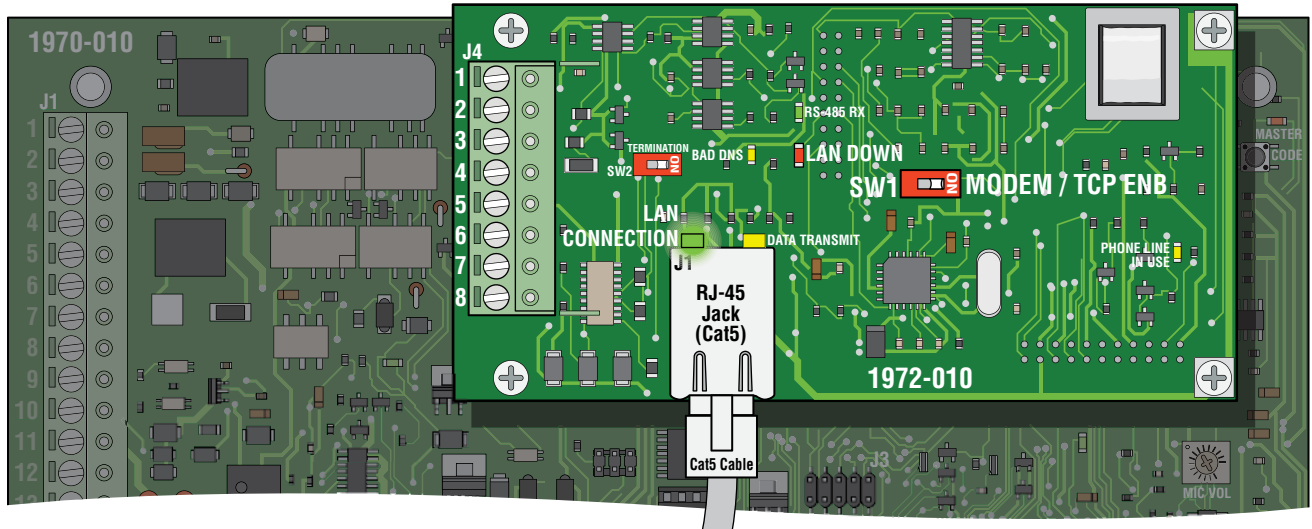
- **Touch-Tone Telephone**

The programmable features that can be programmed using the system keypad can also be programmed using a touch-tone telephone (typically the house phone) connected to the 1812. This method of programming is useful for programming simple steps or for turning certain features ON or OFF, but **is not recommended for complex programming steps.**

2.3 Programming the Network Setup for a Computer

Before proceeding with any of the programming steps in this section, **install the 1812 Management software on the computer (PC ONLY) that will be used** for this purpose. Be sure that the computer has a network card installed, or a modem installed in it (or connected to it) depending on which connection method will be used. Once the software is installed and the 1812 is connected, refer to the software programming steps and help screen instructions to proceed with the programming steps in this section. The system keypad may be used to program the computer's network setup in this section but can be a little tedious to use.

Be sure that SW1 is in the ON position (MODEM/TCP ENB) on the Access Plus Interface Board.



Reboot Note: If a programming step calls for a reboot, follow the programming steps in 2.3.5. If you are performing several programming steps that call for a reboot, complete **ALL** of those steps first, then perform the reboot sequence in 2.3.5.

Important Note: The 1812 will prompt you with short tones (**beep**) when each programming step has been correctly keyed in and with a long tone (**beeeeeep**) when all of the programming steps have been successfully completed in the sequence.

2.3.1 Set the 1812 IP Address (*reboot required*)

Factory setting is: 192.168.001.030

This must be set to the same address that was programmed in the software. A valid value for any of the three digit fields in this sequence is 000 to 255. (See pages 23 and 24 for network configurations and addresses)

All 3 digits **MUST** be entered in each field between dots, for example: 192.168.1.30 must be entered as 192.168.001.030



System Keypad

1. Press * 5 1 and enter the MASTER CODE. [*** 5 1** ___ (beep)]
2. Enter the IP address. Use the * key to enter the "dot".
[___ * (beep) ___ * (beep) ___ * (beep) ___ * (beep)]
3. Press 0 # TOGETHER to end. [**0 # (beeeeeep)**]

2.3.2 Sub-Net Mask (*reboot required*)

Factory setting is: 255.255.255.000

All sub-net mask should be set to 255.255.255.000. This rarely needs to be changed, consult with your network expert first. Valid values for any of the three digit numbers is 000 to 255.



System Keypad

1. Press * 5 2 and enter the MASTER CODE. [*** 5 2** ___ (beep)]
2. Enter the sub-net mask number. Use the * key to enter the "dot".
[___ * (beep) ___ * (beep) ___ * (beep) ___ * (beep)]
3. Press 0 # TOGETHER to end. [**0 # (beeeeeep)**]

2.3.3 Set the Gateway (Router) IP Address *(reboot required)*

Factory setting is: 192.168.001.001

If the 1812 is connected directly to the computer with a crossover cable, then this address must be set to 000.000.000.000. If the 1812 is connected to the computer through a router, then set this value to the router's IP address. Valid value for any of the three digit numbers is 000 to 255. (See pages 23 and 24 for network configurations and addresses)



1. Press * 5 3 and enter the MASTER CODE. [*** 5 3** ____ (beep)]
2. Enter the gateway (router) IP address. Use the * key to enter the "dot".
[____ * (beep) ____ * (beep) ____ * (beep) ____ * (beep)]
3. Press 0 # TOGETHER to end. [**0 #** (beeeeeep)]

2.3.4 Set the Port Number *(reboot required)*

Factory setting is: 01030

This must be the same port number that was programmed in the software. Valid values are 01024 to 65535. All 5 digits must be entered in the field, for example: 1030 must be entered as 01030



1. Press * 5 6 and enter the MASTER CODE. [*** 5 6** ____ (beep)]
2. Enter the port number, then press *. [____ * (beep)]
3. Press 0 # TOGETHER to end. [**0 #** (beeeeeep)]

2.3.5 Enable / Disable TCP / IP Support - System Reboot

Factory setting is: 0 (TCP / IP Disabled)

This programming sequence enables or disables the support for TCP / IP. It will also cause an automatic reboot of the 1812 two seconds after the programming sequence is completed. For this reason, perform this step after all other network setup programming sequences have been completed (2.3.1 through 2.3.4) or whenever an individual network programming step is performed.



1. Press * 5 0 and enter the MASTER CODE. [*** 5 0** ____ (beep)]
2. Press 0 * to disable TCP / IP **OR** press 1 * to enable TCP / IP. [_ * (beep)]
3. **The system will reboot automatically.**

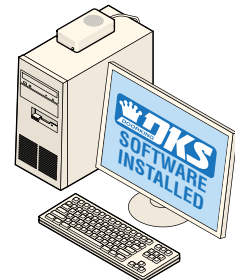
Once the 1812 is connected, the green LED on the RJ-45 jack on the interface board should light indicating that a good wire connection has been made (See illustration above). The LAN DOWN LED should go off after a few seconds if all previous programming steps have been completed and programmed successfully.

STOP! If you are **OR** are going to use a computer with the 1812 Access Plus system, **NO other programming at the System Keypad is required.** All programming parameters beyond this point can be set in the Management software.

This software will show all the specific programming parameters that will exist in the memory of the 1812 Access Plus system after it has been programmed. It can be easily recalled for future modification or re-programming.

Download **Access Plus Account Manager** software at: <http://www.doorking.com/accessories/access-plus-software>

PC's only, NOT for use with MACs



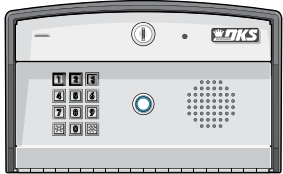
The system keypad **DOES NOT** have the capability to show any of the programming that will exist in the memory of the 1812 after being programmed. The only way to keep track of the specific parameters that have been programmed into the 1812 for future reference when **NOT** using the management software, is to physically write down all the information in a log (In back of manual).

2.4 System Parameters Programming

IMPORTANT! We strongly suggest that you read these programming instructions in their entirety before beginning any manual programming of the 1812 Access Plus system.

The programming table on the next page provides a quick reference to:

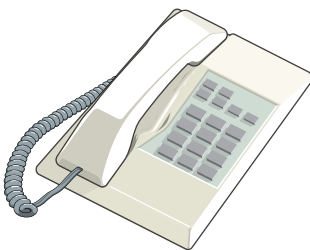
Programming from the System Keypad



Follow the programming instructions as described in each section of this manual.

IMPORTANT The system will prompt you with short tones (**beep**) when programming steps have been correctly keyed in and with a long tone (**beeeeeep**) when all of the programming steps have been successfully completed in the sequence.

Programming from a Touch-Tone Telephone



Homeowner's Touch-Tone Telephone

Follow these steps when programming the 1812 Access Plus from the **Homeowner's Touch-Tone Telephone**.

IMPORTANT The system will require an "ATTENTION NUMBER". The system attention number is the number that the **1812's programming mode** will respond to when called from the **Homeowner's Phone**. If more than one 1812 is sharing the phone line, be sure that each system's attention number is unique.

Note: The system attention number is **factory set to 7**. This can be changed to any number, and will have to be changed when using multiple systems on the same phone line, see section 2.4.3.

1. Press * and then the system ATTENTION NUMBER. [*** 7 (beep)**]
2. Follow the programming instructions as described in each section of this manual. The system will prompt you with short (beep) tones when programming steps have been followed correctly.
3. When complete, hang up. You cannot use 0# pressed together to end programming steps from a touch-tone telephone. Wait 30 seconds before calling back to program another feature.



Off-Site Touch-Tone Telephone

Follow these steps when programming the 1812 Access Plus from an **Off-Site Touch-Tone Telephone**.

IMPORTANT The 1812 must be programmed to answer incoming calls, section 2.4.9.

1. Call the resident telephone number. The 1812 will answer with a short beep after the programmed number of rings.
2. Follow the programming instructions as described in each section of this manual. The system will prompt you with short (beep) tones when programming steps have been followed correctly.
3. When complete, hang up. You cannot use 0# pressed together to end programming steps from a touch-tone telephone. Wait 30 seconds before calling back to program another feature.

Quick Reference Table

NOT Programmable from Software.
Program from System Keypad ONLY.

	Page #	Section	Command	Factory Settings
Section 2.1 Programming Master Code				
Program a Master Code	17	2.1	Press Master Code Button	NO Master Code Programmed
Section 2.3 Programming Network Setup for a Computer				
Set the 1812 IP Address (reboot required)	28	2.3.1	* 5 1	01030
Sub-Net Mask (reboot required)	28	2.3.2	* 5 2	192.168.001.030
Set the Gateway (Router) IP Address (reboot required)	29	2.3.3	* 5 3	255.255.255.000
Set the Port Number (reboot required)	29	2.3.4	* 5 6	192.168.001.001
Enable / Disable TCP / IP Support - System Reboot	29	2.3.5	* 5 0	0
Section 2.4 System Parameters Programming				
Phone Mode or Intercom Mode	32	2.4.1	* 0 6	1 (Phone Mode)
Single or Multiple Systems	32	2.4.2	* 6 1	1 (Single System)
System Attention Number	32	2.4.3	* 6 2	7
Single or Double Ring	32	2.4.4	* 6 3	1 (Double Ring)
Number of Home Phone Rings Before 1812 Hangs Up	32	2.4.5	* 6 4	05 (5 Rings)
Talk Time	33	2.4.6	* 0 8	060 (60 Sec.)
Relay Strike Time	33	2.4.7	* 0 3	1 Sec
Tone Open Numbers	33	2.4.8	* 0 5	Relay 1: 9 8 7 6 Relay 2: 5 4 3 2 Relays 3-8 Not Set
Answer Incoming Call on X Rings	34	2.4.9	* 1 8	06 (6 Rings)
Call Waiting	34	2.4.11	* 2 0	1 (ON)
Turn Speaker On / Control Relay from Off-Site Call	34	2.4.12	* 1 6	N / A
Set Call Forward Microphone Gain & Speaker Volume	35	2.4.13	* 1 1	7 (Mic) 1 (Speaker)
Section 2.5 Directory Codes				
Directory Codes 24 – 50 Programming “Dial Phone Number”	35	2.5.1	* 4 1	Empty
Delete a Phone Number from Directory Codes 24 – 50	35	2.5.2	* 4 2	N / A
Delete All Phone Numbers from Directory Codes 24 – 50	35	2.5.3	* 4 3	N / A
Section 2.6 Access Codes for Access Control Devices				
“Simple” Access Code Programming (Relays 1&2: 24/7 Operation)	36	2.6.1	* 0 2	Empty
“Time Zone Restricted” Access Code Programming	37	2.6.4	* 7 0	Empty
Delete an Access Code (Simple or Time Zone Restricted)	37	2.6.5	* 7 1	N / A
Delete All Access Codes for the Same Type of Device (Simple or TZR)	37	2.6.6	* 7 2	N / A
Section 2.7 Time Functions				
Time and Date Calendar Chip Programming	38	2.7.1	* 3 3	Empty
Call Forward Phone Number Programming	38	2.7.2	* 1 0	Empty
Call Forward - ON/OFF or Time Zone Activation	38	2.7.3	* 3 7	Empty
Automatic Relay Activation Time Zone Programming (Up to 4)	39	2.7.5	* 3 5	Empty
Access Code Time Zone Programming (Up to 4)	39	2.7.6	* 3 6	Empty
Section 2.8 Miscellaneous				
Restore Factory Settings	40	2.8.1	* 9 0	N / A
Erase Transaction Log	40	2.8.2	* 9 1	N / A

Note: Program section numbers have been intentionally skipped that **DO NOT** apply to the 1812 Access Plus system in this manual. This allows **ALL** of the Access Plus manuals to remain in sync with each other when referencing programming numbers.

2.4.1 Phone Mode or Intercom Mode

Factory setting is 1 (Phone Mode).

The 1812 is normally connected in series with a resident's incoming phone line, which supplies a constant source of DC voltage. When the 1812 is connected in this manner, program the unit for PHONE mode.

If the 1812 is to be connected to an open C.O. (Central Office) port on a key type telephone system, or if the 1812 is connected directly to a telephone without a C.O. line, program the unit for INTERCOM mode. When programmed in intercom mode, the 1812 will supply the constant DC voltage necessary for operation and will disconnect the PHONE-IN terminals 1 and 2 from the circuit board since these are not used in intercom mode.

If the 1812 is programmed for the intercom mode, the call forward and preprogrammed dial-out phone number (Directory Codes) features will not work.

1. Press * 0 6 and enter the MASTER CODE. [*** 0 6** _ _ _ _ (beep)]
2. Press 1 * for phone mode **OR** press 0 * for intercom mode. [_ *****(beep)]
3. Press 0 # TOGETHER to end. [**0 #** (beeeeeep)]

2.4.2 Single or Multiple Systems

Factory setting is 1 (Single System).

Set for single if the 1812 is the only unit connected to the phone line, or set to multiple if more than one 1812 is connected to the phone line.

1. Press * 6 1 and enter the MASTER CODE. [*** 6 1** _ _ _ _ (beep)]
2. Press 1 * for a single system **OR** press 0 * for multiple systems. [_ *****(beep)]
3. Press 0 # TOGETHER to end. [**0 #** (beeeeeep)]

2.4.3 System Attention Number

Factory setting is 7.

The system attention number is the number that the 1812 responds to when called from the residence. If more than one 1812 is sharing the phone line, be sure the attention number to each unit is programmed with a unique attention number.

1. Press * 6 2 and enter the MASTER CODE. [*** 6 2** _ _ _ _ (beep)]
2. Enter a single digit attention number (0-9), then press *. [_ *****(beep)]
3. Press 0 # TOGETHER to end. [**0 #** (beeeeeep)]

2.4.4 Single or Double Ring

Factory setting is 1 (Double Ring).

Setting this for a double ring provides a unique ring so that a call from the 1812 is easily identified, or the ring can be set to the standard single long ring.

1. Press * 6 3 and enter the MASTER CODE. [*** 6 3** _ _ _ _ (beep)]
2. Press 1 * for a double ring **OR** press 0 * for a single ring. [_ *****(beep)]
3. Press 0 # TOGETHER to end. [**0 #** (beeeeeep)]

2.4.5 Number of Home Phone Rings Before 1812 Hangs Up

Factory setting is 05 (5 Rings).

When the CALL button on the 1812 is pushed, this programming sequence sets the number of unanswered rings to the homeowner's phone before the 1812 hangs up.

1. Press * 6 4 and enter the MASTER CODE. [*** 6 4** _ _ _ _ (beep)]
2. Enter the number of rings before 1812 hangs up (01-99), then press *. [_ _ *****(beep)]
3. Press 0 # TOGETHER to end. [**0 #** (beeeeeep)]

2.4.6 Talk Time

Factory setting is 060 (60 Seconds).

This programming sequence sets the maximum time allowed for conversation when the 1812 places a call to the resident's house, **or** if call forwarding is active, **or** if any of the dial out numbers are used. Talk time can be set from 10 seconds up to 255 seconds (4 minutes, 15 seconds) and is entered as a three-digit number. For example, to set a talk time of 30 seconds, enter 030 in step 2.

1. Press * 0 8 and enter the MASTER CODE. [*** 0 8 _ _ _ _ (beep)**]
2. Enter the three-digit talk time code (010-255), then press *. [**_ _ _ * (beep)**]
3. Press 0 # TOGETHER to end. [**0 # (beeeeeep)**]

2.4.7 Relay Strike Time

Factory setting for Relays 1 and 2 is 01 (1 Second). Relays 3 through 8 are not set.

These steps will program the system relay strike times.

Strike times can be programmed from 1/4 second - enter 0 0 * in step 3, up to 99 seconds - enter 9 9 * in step 3. System relays 1 and 2 are the two relays on the 1812 main circuit board. System relays 3 through 8 are the relays associated with additional RS-485 devices (card readers, keypads, RF receivers, etc.) connected to the system.

1. Press * 0 3 and enter the MASTER CODE. [*** 0 3 _ _ _ _ (beep)**]
2. Enter a relay number (1 – 8), then press *. [**_ * (beep)**]
3. Enter the two-digit strike time (00-99), then press *. [**_ _ * (beep)**]
4. Repeat steps 2 and 3 to set other relay strike times if necessary.
5. Press 0 # TOGETHER to end. [**0 # (beeeeeep)**]

2.4.8 Tone Open Numbers

Factory setting is 9876 for Relay 1; 5432 for Relay 2. Relays 3 – 8 are not set.

These steps will program the tone open number(s) for each relay in the system (each relay is programmed independently). You will need to enter a four-digit number (see chart below) to set each relay in step 3. If a function is not desired, enter # in place of a number. Use a different number for each of the four-digits in step 3 when multiple functions are desired.

Example 1: If you want the relay to have a momentary activation function only, and you want the relay to activate when the number 9 is pressed, enter 9 # # # * in step 3.

Example 2: If you only want the relay to hold open when the number 8 is pressed and the relay deactivated when the number 7 is pressed, enter # 8 7 # * in step 3.

1. Press * 0 5 and enter the MASTER CODE. [*** 0 5 _ _ _ _ (beep)**]
2. Enter a relay number (1 – 8), then press *. [**_ * (beep)**]
3. Choose and enter a four-digit tone open number code (see chart below), then press *. [**_ _ _ _ * (beep)**]
If a tone open function is not desired, enter # in place of a number.
4. Repeat steps 2 and 3 to set other relay tone open number(s) if desired.
5. Press 0 # TOGETHER to end. [**0 # (beeeeeep)**]

4 Digit Tone Open Number Code	Function
1st Digit (Step 3)	Momentary activation. The relay will activate for its programmed relay strike time.
2nd Digit (Step 3)	Hold open. The relay will activate and remain activated until commanded to deactivate.
3rd Digit (Step 3)	Deactivate relay.
4th Digit (Step 3)	Hold open 1 hour. The relay will activate for 1 hour and then deactivate itself.

2.4.9 Answer Incoming Call on X Rings

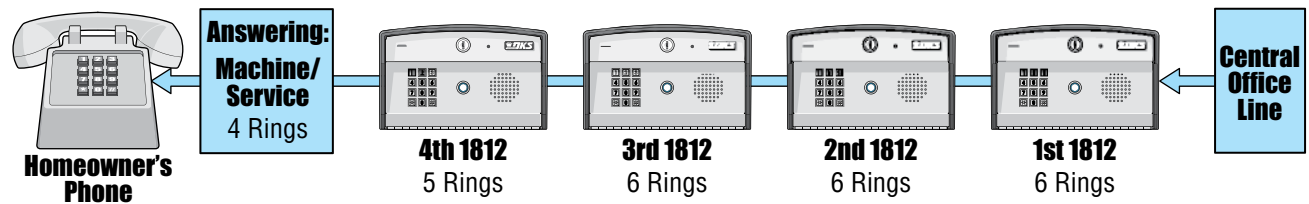
Factory setting is 06 (6 Rings).

This programming section sets the number of rings that the 1812 will allow to pass through the system before it picks up the call. The number of rings to answer can be set from 1 to 99 rings and must be entered as a two-digit number. For example, if you want the 1812 to answer the call after the sixth ring, enter 0 6 * in step 2. If you program 0 0 * in step 2, this will prevent (disable) the 1812 from answering incoming calls to it.

Important! If more than one 1812 is connected in the system (2.4.2 set for multiple systems), the **LAST** 1812 that is wired in the line must have the “Answer Incoming Call” set for **one less ring** than the other 1812 units connected.

1. Press * 1 8 and enter the MASTER CODE. [*** 1 8** _ _ _ _ (beep)]
2. Enter the number of rings (01-99), then press *. [_ _ *(beep)]
(enter 00 in this step to disable this feature)
3. Press 0 # TOGETHER to end. [**0 #** (beeeeeep)]

Example:



2.4.11 Call Waiting

Factory setting is 1 (Call Waiting On).

These steps will turn the Call Waiting feature either ON or OFF. The call waiting feature will allow the resident to place an outside call on hold when a visitor presses the call button on the 1812. Once communication with the visitor is established, access can be granted or denied. If access is granted (press the tone open number to open the door or gate), then press # to switch the call back to the outside call. If the resident wants to deny access, they simply press the # key to switch back to the outside call.

1. Press * 2 0 and enter the MASTER CODE. [*** 2 0** _ _ _ _ (beep)]
2. Press 1 * to turn Call Waiting ON **OR** press 0 * to turn Call Waiting OFF. [_ *(beep)]
3. Press 0 # TOGETHER to end. [**0 #** (beeeeeep)]

2.4.12 Turn Speaker On / Control Relay from Off-Site Call

This command allows you to call the 1812 from a remote location and turn on the speaker at the unit to enable two-way voice communication and will allow relay control – all “Tone Open Numbers” that are programmed (2.4.8).

1. Call the resident’s phone number. After the programmed number of rings (2.4.9) the 1812 will answer with a tone.
2. Press * 1 6 and enter the MASTER CODE. [*** 1 6** _ _ _ _ (beep)]
If you use a “tone open number” during the call to activate a relay, the 1812 will automatically hang up after the “tone open number” is used. Only one activation number will function per phone call.
Example: If you call and want to “Hold Open” the relay, you will have to call back to “Deactivate” it later.
3. Hang up when your conversation is completed when NOT using a “tone open number”.

2.4.13 Set Call Forward Microphone Gain and Speaker Volume

Factory setting is 71 (7 - Microphone, 1 - Speaker).

This adjustment is required only if call forward or directory code dialing is being used. This step will adjust the microphone gain (the remote handset loudness) and the speaker volume (the 1812 loudness) during call forward operation. You may have to perform these steps several times to get the optimal microphone gain and speaker volume adjustment.

Be sure that you have a call forward phone number programmed (2.7.3) and call forward is turned on (2.7.2).

Before making any adjustments, do a test call as the programmed settings may work fine for you and no additional adjustments may be necessary. If adjustments are made, you will need to do a call forward test call after each adjustment to determine if the result is to your liking.

The valid values for both the microphone gain and speaker volume are 0 through 9. These values are entered as a two-digit number in step 2 below. The first digit is the microphone gain; the second digit is the speaker volume. The factory setting is 71, which means that the microphone gain is set to 7 and the speaker volume is set to 1. A higher value increases the loudness where as a lower value decreases the loudness.

1. Press * 1 1 and enter the MASTER CODE. [*** 1 1 _ _ _ _ (beep)**]
2. Enter a two-digit microphone gain and speaker loudness setting, then press *. [**_ _ *(beep)**]
3. Press 0 # TOGETHER to end. [**0 # (beeeeeep)**]

2.5 Directory Codes

2.5.1 Directory Codes 24 – 50 Programming “Dial Phone Number”

The 1812 has the capability of operating as an auto-dialer system and can store up to 27 phone numbers in its memory. When a visitor enters a directory code on the system keypad, the 1812 will call the phone number programmed under the specific directory code number. The directory codes, 24 through 50 cannot be revised after they have been programmed into the system memory, only deleted (see 2.5.2 below).

This feature cannot be used if the 1812 is programmed in the intercom mode (see 2.4.1).

1. Press * 4 1 and enter the MASTER CODE. [*** 4 1 _ _ _ _ (beep)**]
2. Enter a two-digit directory code (24-50), then press *. [**_ _ *(beep)**]
3. Enter the phone number (up to 20 digits, no dashes), then press *. [**_ _ _ _ _ _ _ _ _ _ _ _ _ _ _ _ _ _ *(beep)**]
All 20 spaces do not have to be populated with numbers.
4. Repeat steps 2 and 3 to enter additional numbers.
5. Press 0 # TOGETHER to end. [**0 # (beeeeeep)**]

2.5.2 Delete a Phone Number from Directory Codes 24 – 50

This programming sequence deletes **individual** directory code dial-out phone numbers from the system memory.

1. Press * 4 2 and enter the MASTER CODE. [*** 4 2 _ _ _ _ (beep)**]
2. Enter a two-digit directory code (24-50) of the phone number you want to delete, then press *. [**_ _ *(beep)**]
3. Repeat step 2 to delete additional existing phone numbers.
4. Press 0 # TOGETHER to end. [**0 # (beeeeeep)**]

2.5.3 Delete ALL Phone Numbers from Directory Codes 24 – 50

This programming sequence will delete **ALL** directory code dial-out phone numbers from the system memory.

WARNING: once started, all phone numbers will be erased.

1. Press * 4 3 and enter the MASTER CODE. [*** 4 3 _ _ _ _ (beep)**]
2. Press 9 9 9 9, then press *. [**9 9 9 9 (beep)**]
3. The programming sequence will end itself automatically. [**beeeeeep**]

2.6 Access Codes to Operate Access Control Devices

2.6.1 “Simple” Access Code Programming (Relays 1&2: 24/7 Operation)

This programming sequence programs “simple” access codes used on the 1812 keypad into the system memory. “Simple” access codes CANNOT be time zone restricted; they can **ONLY** be assigned to operate the internal **Relay 1** or **Relay 2** on a 24/7 basis using the relay strike time programmed in section 2.4.7. If you require access codes to be “time zone restricted”, use the programming sequence in 2.6.4.

Note: Up to 50 access codes can be programmed into the system. This 50 includes “simple” access codes programmed in 2.6.1 **AND** “time zone restricted” access codes programmed in 2.6.4. For example, if 10 “simple” access codes are programmed in 2.6.1, then only 40 “time zone restricted” access codes can be programmed in 2.6.4.

1. Press * 0 2 and enter the MASTER CODE. [*** 0 2** _ _ _ _ (beep)]
2. Press 1 for relay 1 **OR** Press 2 for relay 2, then press *. [_ *****(beep)]
3. Choose and enter a five-digit “simple” access code, then press *. [_ _ _ _ _ *****(beep)]
4. Repeat steps 2 and 3 to enter additional “simple” access codes.
5. Press 0 # TOGETHER to end. [**0 #** (beeeeeep)]

2.6.4 “Time Zone Restricted” Access Code Programming

This programming sequence programs access codes into the system memory **with time zone restrictions applied**. It also allows programming of the **access codes to momentarily activate a relay or to hold open (latch) a relay**.

Note: Up to 50 access codes can be programmed into the system. This 50 includes “simple” access codes programmed in 2.6.1 **AND** “time zone restricted” access codes programmed in 2.6.4. For example, if 10 “simple” access codes are programmed in 2.6.1, then only 40 “time zone restricted” access codes can be programmed in 2.6.4.

1. Press * 7 0 and enter the MASTER CODE. [*** 7 0** _ _ _ _ (beep)]
2. Enter the device type (0 = card, 1 = transmitter, 2 = keypad, 3 = other), then press *. [_ *****(beep)]
3. Choose and enter a five-digit access code, then press *. [_ _ _ _ _ *****(beep)]
4. Enter a minimum of 1, and a maximum of 4 time zones (valid time zones are 0 through 6) that you want to apply to this access code, then press *. [_ _ _ _ *****(beep)]
Time zone 0 - Always deny access.
Time zone 1 - Allows 24/7 access for relay 1 and any additional relays.
Time zone 2 - Allows 24/7 access for relay 2 and any additional relays.
Time zones 3, 4, 5 and 6 - Are time zones that have been programmed in 2.7.6.
5. Enter 0 * for momentary relay activation or enter 1 * to hold open (latch) the relay. [_ *****(beep)]
6. Repeat steps 2 through 5 to program additional access codes (Time zone restricted).
7. Press 0 # TOGETHER to end. [**0 # (beeeeeep)**]

2.6.5 Delete an Access Code (Simple and Time Zone Restricted)

This programming sequence deletes individual “simple” and “time zone restricted” access codes that have been programmed into the system.

1. Press * 7 1 and enter the MASTER CODE. [*** 7 1** _ _ _ _ (beep)]
2. Enter the device type (0 = card, 1 = transmitter, 2 = keypad, 3 = other), then press *. [_ *****(beep)]
3. Enter the five-digit device access code to be deleted, then press *. [_ _ _ _ _ *****(beep)]
See 2.6.1 and/or 2.6.4 for the five-digit access code.
4. Repeat steps 2 and 3 to delete additional existing “simple” and “time zone restricted” access codes.
5. Press 0 # TOGETHER to end. [**0 # (beeeeeep)**]

2.6.6 Delete All Access Codes for the Same Type of Device (Simple and TZR)

This programming sequence deletes **ALL** existing “simple” and “time zone restricted (TZR)” access codes **for the same type of device**. To delete **ALL** existing “simple” and “time zone restricted” access codes, this programming sequence will need to be preformed for each type of device that is connected to the system.

WARNING: Once started, all “simple” and “time zone restricted” access codes for the same type of device will be erased.

1. Press * 7 2 and enter the MASTER CODE. [*** 7 2** _ _ _ _ (beep)]
2. Enter the device type (0 = card, 1 = transmitter, 2 = keypad, 3 = other), then press *. [_ *****(beep)]
3. Press 9 9 9 9, then press *. [**9 9 9 9 (beep)**]
4. The programming sequence will end itself automatically. [**beeeeeep**]

2.7 Time Functions

2.7.1 Time and Date Calendar Chip Programming

This programming sequence programs the calendar chip in the 1812 system for the current time and date. The calendar chip must be programmed if any of the time related features are going to be used.

Note: The clock / calendar chip in the 1812 Access Plus will keep time for approximately 48 hours if power to the system is lost or removed. If power is off longer than this, the clock / calendar chip will have to be reprogrammed.

1. Press * 3 3 and enter the MASTER CODE. [*** 3 3** _ _ _ _ (beep)]
2. Enter the current hour (01 to 12) and minutes (01 to 59), then press *. [_ _ _ _ ***(beep)**]
3. Press 0 * for AM **OR** press 1 * for PM. [_ ***(beep)**]
4. Enter the month (01 to 12), day of the month (01 to 31) and the year (00 to 99), then press *. [_ _ _ _ _ ***(beep)**]
5. Enter the day of the week (1-7), then press *. [_ ***(beep)**
Sun = 1, Mon = 2, Tue = 3, Wed = 4, Thu = 5, Fri = 6, Sat = 7.
6. Press 0 # TOGETHER to end. [**0 # (beeeeeep)**]

Example: Saturday, February 14th, 2010, 11:30 AM. Your Master Code - **1. * 3 3** _ _ _ _ (beep)
Time - **2. 1 1 3 0** *(beep)
AM - **3. 0** *(beep)
Date - **4. 0 2 1 4 1 0** *(beep)
Day - **5. 7** *(beep)
End Programming - **6. 0 # TOGETHER (beeeeeep)**

2.7.2 Call Forward Phone Number Programming

These steps program the call forward telephone number into the 1812 memory. Call forward can **only** be used when the 1812 is programmed in **phone mode** (see 2.4.1). To turn ON/OFF or setup a time zone activation for the call forward see 2.7.3 below.

1. Press * 1 0 and enter the MASTER CODE. [*** 1 0** _ _ _ _ (beep)]
2. Enter the phone number where calls from the 1812 are to be forwarded to (up to 20 digits, no dashes), then press *. [_ _ _ _ _ _ _ _ _ _ ***(beep)**
All 20 spaces do not have to be populated with numbers.
3. Press 0 # TOGETHER to end. [**0 # (beeeeeep)**]

2.7.3 Call Forward - ON/OFF or Time Zone Activation

This programming sequence turns the call forward feature ON/OFF or setup a time zone activation. You must have a call forward phone number programmed into the 1812 memory (See 2.7.2).

1. Press * 3 7 and enter the MASTER CODE. [*** 3 7** _ _ _ _ (beep)]
2. Press 0 * to turn call forward OFF, **OR** press 1 * to always call forward, **OR** press 2 * to call forward per the call forward time zone. [_ ***(beep)**
You can terminate here (Go to step 8 to finish) if you have previously programmed the time zone and only ON / OFF or Call Forward per the time zone is desired.
3. Enter the beginning hour (01 to 12) and minutes (01 to 59), then press *. [_ _ _ _ ***(beep)**]
4. Press 0 * for AM **OR** press 1 * for PM. [_ ***(beep)**]
5. Enter the ending hour (01 to 12) and minutes (01 to 59), then press *. [_ _ _ _ ***(beep)**]
6. Press 0 * for AM **OR** press 1 * for PM. [_ ***(beep)**]
7. Enter the days of the week that the call forward time zone is to be active, then press *. [_ _ _ _ _ ***(beep)**
Sun = 1, Mon = 2, Tue = 3, Wed = 4, Thu = 5, Fri = 6, Sat = 7.
You can enter up to 7 numbers here (1-7) but all 7 spaces do not have to be populated with numbers. For example, for the call forward to be active only on Saturdays and Sundays, enter 1 7 *.
The order of the numbers is not important; 17 is the same as 71.
8. Press 0 # TOGETHER to end. [**0 # (beeeeeep)**]

2.7.5 Automatic Relay Activation Time Zone Programming (Up to 4)

Factory setting in step 3 is 0 (Time zones are OFF).

This program sequence sets up time zones to automatically activate and deactivate relays 1 through 8. Four time zones can be programmed, each of which can be assigned to the desired relay(s). These time zones can be independently turned ON or OFF after they have been programmed.

1. Press * 3 5 and enter the MASTER CODE. [*** 3 5** _ _ _ _ (beep)]
2. Enter a time zone number (1, 2, 3 or 4), then press *. [_ *****(beep)]
3. Press 0 * to turn the time zone OFF, **OR** press 1 * to turn the time zone ON. [_ *****(beep)] You can terminate here (Go to step 11 to finish) if you have previously programmed the time zones and only ON / OFF is desired.
4. Enter the beginning hour (01 to 12) and minutes (01 to 59), then press *. [_ _ _ _ *****(beep)]
5. Press 0 * for AM **OR** press 1 * for PM. [_ *****(beep)]
6. Enter the ending hour (01 to 12) and minutes (01 to 59), then press *. [_ _ _ _ *****(beep)]
7. Press 0 * for AM **OR** press 1 * for PM. [_ *****(beep)]
8. Enter the days of the week that the auto relay time zone is to be active, then press *. [_ _ _ _ _ _ _ *****(beep)]
Sun = 1, Mon = 2, Tue = 3, Wed = 4, Thu = 5, Fri = 6, Sat = 7.
You can enter up to 7 numbers here (1-7) but all 7 spaces do not have to be populated with numbers. For example, for the auto relay time zone to be active only on Saturdays and Sundays, enter 1 7 *. The order of the numbers is not important; 17 is the same as 71.
9. Enter the relay number(s) that the time zone will apply to, then press *. [_ *****(beep)]
You can enter a single relay number; all relay numbers (up to 8), or any combination of relay numbers.
10. Repeat steps 2 through 9 to program the other auto relay time zones (up to 4) if desired.
11. Press 0 # TOGETHER to end. [**0 # (beeeeeep)**]

2.7.6 Access Code Time Zone Programming (Up to 4)

Factory setting in step 3 is 0 (Time Zones are OFF).

This programming sequence sets up time zones (up to 4) that can be applied to the "Access Codes" programmed in section 2.6.4 into the 1812. These time zones can be turned ON or OFF once they have been programmed.

1. Press * 3 6 and enter the MASTER CODE. [*** 3 6** _ _ _ _ (beep)]
2. Enter a time zone number (3, 4, 5 or 6), then press *. [_ *****(beep)]
Do not use 0, 1 or 2 for time zone numbers. These are already used; **0** = always deny, **1** = 24/7 access for Relay 1, and Relays 3-8; **2** = 24/7 access for Relay 2, and Relays 3-8.
3. Press 0 * to turn the time zone OFF, **OR** press 1 * to turn the time zone ON. [_ *****(beep)]
You can terminate here (Go to step 11 to finish) if you have previously programmed the time zone and only ON / OFF is desired.
4. Enter the beginning hour (01 to 12) and minutes (01 to 59), then press *. [_ _ _ _ *****(beep)]
5. Press 0 * for AM **OR** press 1 * for PM. [_ *****(beep)]
6. Enter the ending hour (01 to 12) and minutes (01 to 59), then press *. [_ _ _ _ *****(beep)]
7. Press 0 * for AM **OR** press 1 * for PM. [_ *****(beep)]
8. Enter the days of the week that the time zone is to be active, then press *. [_ _ _ _ _ _ _ *****(beep)]
Sun = 1, Mon = 2, Tue = 3, Wed = 4, Thu = 5, Fri = 6, Sat = 7.
You can enter up to 7 numbers here (1-7) but all 7 spaces do not have to be populated with numbers. For example, for the time zone to be active only on Saturdays and Sundays, enter 1 7 *. The order of the numbers is not important; 17 is the same as 71.
9. Enter the relay number(s) that the time zone will apply to, then press *. [_ *****(beep)]
You can enter a single relay number; all relay numbers (up to 8), or any combination of relay numbers.
10. Repeat steps 2 through 9 to program the other time zones (up to 4) if desired.
11. Press 0 # TOGETHER to end. [**0 # (beeeeeep)**]

2.8 Miscellaneous

2.8.1 Restore Factory Settings

This step will restore the factory settings for each of the programming parameters. See the “Quick Reference Table” on page 31 for all of the factory settings. The master code (2.1) will remain intact after the factory settings have been restored.

WARNING: Once started, this sequence will program all values to factory settings.

1. Press * 9 0 and enter the MASTER CODE. [*** 9 0 _ _ _ _ (beep)**]
2. Press 9 9 9 9, then press *. [**9 9 9 9 (beep)**]
3. The programming sequence will end itself automatically. [**beeeeeep**]

2.8.2 Erase Transaction Log

This step will erase (empty) the transactions stored in the system history buffer (the system stores up to 500 transactions).

WARNING: Transaction log cannot be recovered after this sequence is started.

1. Press * 9 1 and enter the MASTER CODE. [*** 9 1 _ _ _ _ (beep)**]
2. Press 9 9 9 9, then press *. [**9 9 9 9 (beep)**]
3. The programming sequence will end itself automatically. [**beeeeeep**]

SECTION 3 - ADJUSTMENTS

Speaker Volume

The speaker volume potentiometer is labeled SPEAKER VOL on the control board. The speaker volume should be adjusted for adequate sound. Adjusting the speaker volume too loud could cause feedback from the microphone.

1. Open the front of the telephone entry system and locate the speaker volume adjustment.
2. Push the "Push To Call" button to place a call to the resident. While they are talking, adjust the speaker volume potentiometer for adequate sound. To increase the volume rotate the potentiometer clockwise, to decrease the volume rotate the potentiometer counter clockwise.

Microphone Gain

The microphone gain potentiometer is labeled MIC VOL on the control board. This adjustment increases or decreases the loudness in the telephone handset in the house.

1. Open the front of the telephone entry system and locate the Mic Vol adjustment.
2. Push the "Push To Call" button to place a call to the resident. After they answer, adjust the microphone gain and ask the resident to let you know when the loudness in their telephone handset is set to a comfortable level.

Interface Board LED Status

RS-485 RX - Green LED indicates that the system is on-line and scanning the RS-485 devices.

BAD DNS - Yellow LED indicates an email server problem, rejecting the mail server.

LAN DOWN - Red LED indicates a problem with the LAN. IP or Gateway (router) down or wrong gateway IP address.

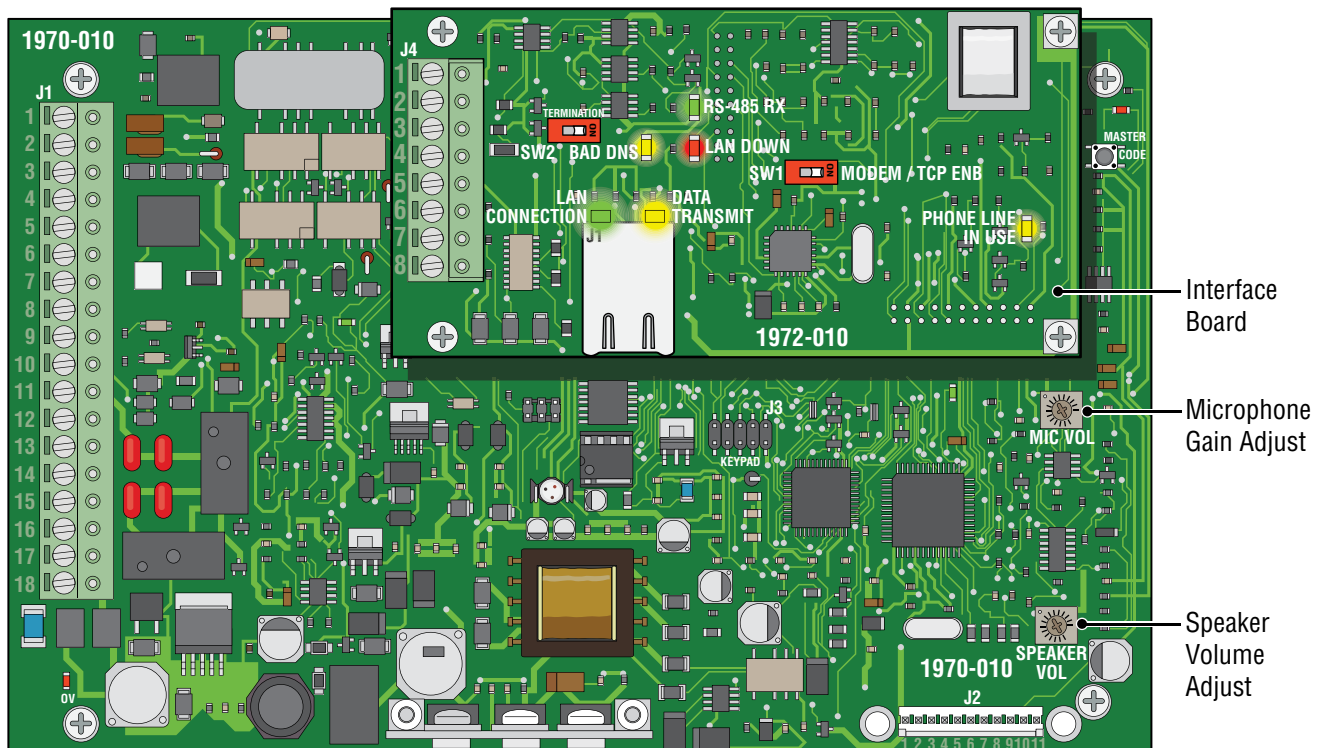
PHONE LINE IN USE - Yellow LED indicates that the phone line is being used (dial-out, call forwarding, etc.).

LAN CONNECTION - Green LED indicates that the wire connection from the 1812 to the computer or router is good.

DATA TRANSMIT - Yellow LED indicates that the TCP / IP connection is transmitting data or sending an email.

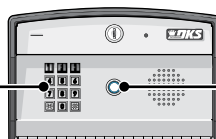
SW1 - Modem/TCP Enable - Turning SW1 Off disables the modem and TCP / IP, but will speed up programming from the keypad.

SW2 - Termination Switch - Only used when RS-485 access control devices are being used (See pages 18 and 19).



System Keypad

Used to key in existing Access Codes and Directory Codes during normal operation. Also used to program system features.



Push To Call Button

Push to place a call from the 1812 to the resident's house during normal operation.

SECTION 4 - USER INSTRUCTIONS

4.1 Resident Operating Instructions

4.1.1 Granting or Denying a Guest Access

To place a call from the 1812 to the resident's house, the guest simply presses the PUSH TO CALL button located on the faceplate, see previous page. Once the guest has been identified by voice communication, the resident may grant them access by pressing the appropriate tone open number, or they may deny access by simply hanging up.

1. To grant access to a guest, press the programmed tone open number. (The factory setting for the tone open number is 9, however this can be programmed to any number desired. See section 2.4.8 to program tone open numbers.) The 1812 will respond with a confirming tone and will open the door or gate.
2. To deny access, hang up the telephone.

Prior to ringing the resident's phones, the 1812 will perform several logic steps to check the status of the Do Not Disturb (DND) and Call Forward features.

If the DND feature is turned on, the DND time zone will be checked. If the current time is within the DND time zone, the system will not ring the resident's phones or call forward.

If the call forward feature is turned off, the 1812 will always ring the resident phones when the Push To Call button is pressed. If the call forward feature is turned on and the current time does not fall within the call forward time zone boundaries, the system will ring the resident's phone when Push To Call is pressed. If the call forward time zone is turned on and the current time is within the call forward time zone boundaries, the system will dial the preprogrammed call forward phone number.

4.1.2 Call Waiting

When the resident is on their telephone and a guest pushes the Push To Call push button, the 1812 will sound a short tone in the resident's handset. This indicates to the resident that a guest is at their door or gate.

1. To place the outside call on HOLD and talk to the guest, press #.
2. To grant the guest access, press the programmed tone open number. The 1812 will respond with a confirming tone, open the door or gate, then press # to return to the outside call.
3. To deny the guest access, press #. The 1812 will disconnect from the resident's phone and reconnect it to the outside call.

The same process can be used when the resident is talking to a guest at the 1812 and an outside call comes in. The resident can place the guest on hold and switch to the outside call.

4.1.3 Dial-Out Phone Numbers

To use the dial-out phone number feature, the guest simply presses a two-digit directory code (24-50) on the system keypad. The 1812 will automatically dial out the phone number programmed under the directory code that was entered on the keypad (section 2.5.1). Once the call is answered, the person called may grant access by pressing the programmed tone open number (2.4.8).

4.1.4 Access Codes

"simple" access codes (five-digit entry code on the 1812 keypad) will operate either relay 1 or relay 2 depending on which relay they have been programmed to activate (2.6.1). "time zone restricted" (2.6.4) access codes will operate the relay that they have been programmed to operate.

To use a keypad access code:

1. Press # then enter the access code (Five-Digits). [# _ _ _ _ _ (beep)]

When the access code is entered on the keypad, the system will check its memory to see if the code is programmed and will also check any time zone restrictions that may have been programmed for the specific code that was entered.

4.2 Remote Operation

4.2.1 Remote Programming (Home Phone or Off-Site Phone)

The 1812 can be programmed and operated from a remote location (Home or off-site) using a touch-tone telephone. Be sure that the programming for the 1812 to answer an incoming call has not been disabled (see 2.4.9).

Note: The 1812 master code cannot be programmed remotely – it can only be programmed from the system keypad – see Programming the Master Code on page 26.

1. Call the resident's phone number. After the programmed number of rings (2.4.9) the 1812 will answer with a tone.
2. Follow the desired programming steps in Section 2 of this manual.
3. When complete with the desired programming function, hang up. You cannot use 0# pressed together to end programming steps from a touch-tone telephone. Wait 30 seconds before calling back to program another feature.

4.2.2 Remote Relay Activation (Off-Site Phone)

The 1812 system relays can be activated from a remote (off-site) location. Be sure that the ability for the 1812 to answer an incoming call has not been disabled (see 2.4.9). Refer to the tone open numbers that were programmed in section 2.4.8 to determine each of the activation numbers. Only one activation number will function per phone call. Example: If you call and want to "Hold Open" the relay, you will have to call back to "Deactivate" it later.

- **Momentary Activation** (Relay activates for its programmed relay strike time).
- **Hold Open** (Relay will activate and remain activated).
- **Deactivate** (Relay will deactivate).
- **Hold 1 Hour** (Relay will activate for 1 hour and then automatically deactivate).

To activate the relay(s) from a remote (off-site) location, perform the following steps:

1. Call the resident's phone number. After the programmed number of rings (2.4.9) the 1812 will answer with a tone.
2. Press * 1 6 and enter the MASTER CODE. [* 1 6 _ _ _ _ (beep)]
(Two-way voice communication is also enabled at this point)
3. Enter the desired tone open number (2.4.8). [_ (beep)]
4. 1812 will automatically hang up.

4.2.3 Relay Activation from Homeowner's Phone

The 1812 system relays can be activated from the homeowner's phone. Refer to the tone open numbers that were programmed in section 2.4.8 to determine each of the activation numbers. Only one activation number will function per phone call. Example: If you call and want to "Hold Open" the relay, you will have to call back to "Deactivate" it later.

- **Momentary Activation** (Relay activates for its programmed strike time).
- **Hold Open** (Relay will activate and remain activated).
- **Deactivate** (Relay will deactivate).
- **Hold 1 Hour** (Relay will activate for 1 hour and then automatically deactivate).

To activate the relay(s) from the resident's house, perform the following steps:

1. Pick up your telephone and press * 7. [* 7 (beep)]
2. Enter the desired tone open number (2.4.8). [_ (beep)]
3. 1812 will automatically hang up.

4.2.4 Relay Activation Check from Homeowner's Phone

The 1812 can be called to check if relay 1, relay 2, or both relays on the 1812 main circuit board are latched and holding a door or gate in the open (unlocked) position. Relays 3 - 8 (RS-485 devices) cannot be checked from the home phone.

1. Pick up homeowner's telephone and press * 7. [* 7 (beep)]
2. Listen for the following sequence of tones. **No Tones:** neither relay is activated.
Relay 1 Activated: beep - pause - beep - pause . . .
Relay 2 Activated: beep beep - pause - beep beep - pause . . .
Both Relays Activated: beep beep beep - pause - beep beep beep - pause . . .
3. Press "0" to hang up.

4.2.5 Initiate Talk and Listen to 1812 when it has not been activated

The homeowner's phone can establish direct communication to the 1812 (Talk and listen from the phone) without the 1812 being activated first (Typically a guest pressing the call button at the 1812). This is useful when a normal telephone entry system transaction does not occur and the homeowner must initiate communication to the 1812 to talk and listen from it.

1. Pick up homeowner's telephone and press * 7. [* 7 (beep)]
2. Talk and/or listen from homeowner's phone.
3. Hang up when finished.

SECTION 5 - MAINTENANCE

The DoorKing 1812 telephone entry system is essentially a maintenance free device. When the unit is properly installed, it should provide years of trouble free service. Maintenance is limited to updating the access codes on an as needed basis.

The faceplate of the unit should be cleaned on a regular basis to keep contaminants in the air from sticking to the surface and possibly causing pitting. When cleaning the faceplate of the system, never use an abrasive cleaner or cloth. Stainless steel cleaner works very well with a soft cloth for systems with a stainless steel faceplate. A clean damp soft cloth should be used to clean gold plated faceplates.

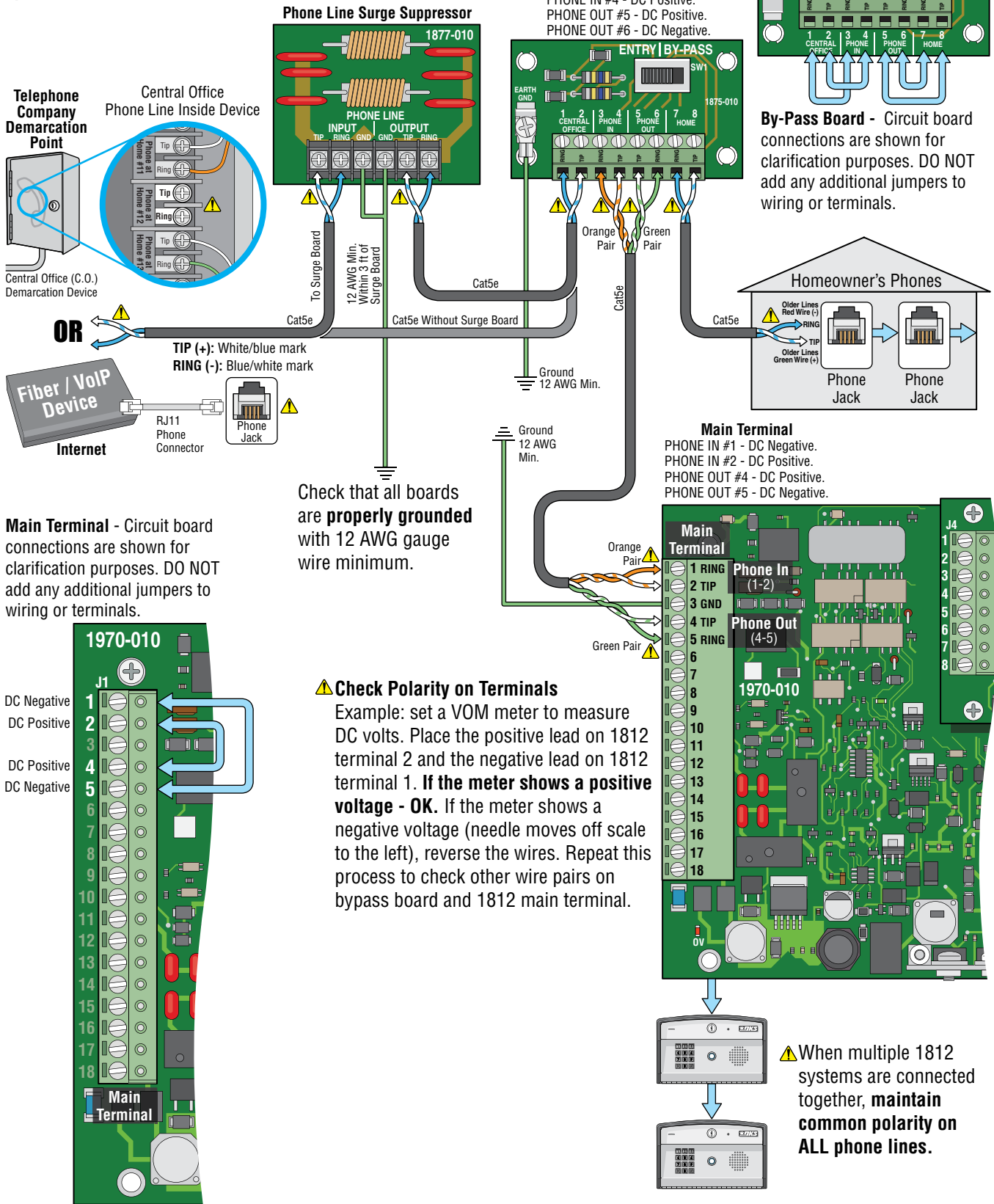
5.1 Troubleshooting

If problems should develop with your telephone entry system, refer to section 5.4 troubleshooting table to try and correct any problems. Our experience has shown that a majority of reported problems are actually programming related and can be corrected on site. If problems persist and they cannot be corrected, contact your authorized DoorKing dealer for assistance. Before performing any troubleshooting, check the following:

1. Have a good VOM meter handy to check voltages and continuity.
2. Have a telephone test set (DoorKing P/N 1800-050 or equivalent) to check the telephone line. Noise on the phone line will cause problems with the entry system.
3. Check the polarity of the phone lines. See section 5.2 on the next page.
4. Be sure that the entry system case is properly grounded.
5. Be sure that the telephone wires are twisted.
6. A hum on the system indicates that the phone line or 16.5 VAC power lines may be grounded. Check to be sure that the phone lines or power lines are not shorted to ground. Be sure that the cable used for communication is a twisted pair, good quality phone cable insulated for direct underground burial. **Using phone wire that is designed for indoor use only can absorb moisture and cause a hum on your phone line.**
7. Check the 16.5 VAC system power. Be sure that the transformer is properly rated (20 VA). **DO NOT USE 24 VAC POWER.** Keep the wire run from the transformer to the entry system as short as possible. Use 16 or 18 AWG, 600 volt insulated wire only. **The importance of proper power wiring cannot be over stressed!**

5.2 Phone Line Polarity

When troubleshooting 1812 operational problems, check phone line polarity. **Crossed polarities can affect system operation.**



5.3 Isolating Noise Problems

If noise or hum is present on the resident's phone line after installation of the 1812 telephone intercom system, use the procedure on the next page to find and correct the source of the noise. This procedure will require the use of a telephone test set (DoorKing P/N 1800-050 or equivalent). Typically, noise is usually introduced into the system because of incorrect wiring, poor quality of wire, wire runs exceeding maximum distances, phone and high voltage power wires running in the same conduit or in very close proximity to each other, a wrong type transformer was substituted, or the phone lines, power lines or 1812 circuit board is grounded.

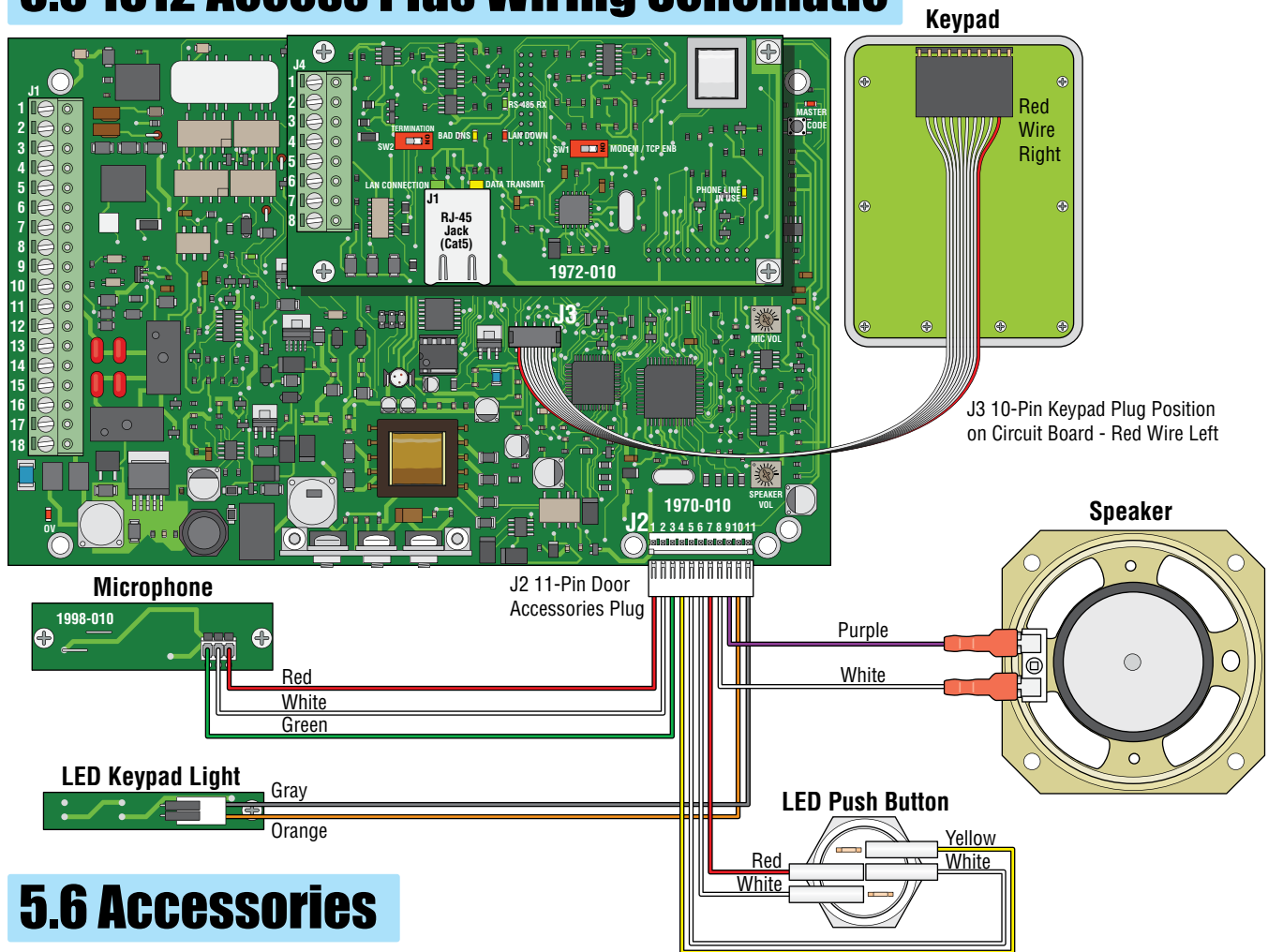
1. Place the BYPASS switch in the BYPASS mode (slide switch to right). If noise goes away, problem is with phone in/out wiring, power wiring, or 1812 unit. Place the BYPASS switch in the ENTRY SYSTEM mode (slide switch to left) and proceed to step 3. If noise is still present when switch is in the bypass mode, disconnect C.O. wires and HOUSE wires from bypass switch. Connect the C.O. wires to the HOUSE wires. If the noise goes away, the bypass switch is bad and needs to be replaced. If noise is still present, contact the telephone company for service.
2. Remove all external items connected to the 1812 unit, such as back-up batteries, relay connections, push button switches, or time clocks. All terminals should be free of any wiring except terminals 1 and 2 (PHONE IN WIRES), terminal 3 (CASE GROUND WIRE), terminals 4 and 5 (PHONE OUT WIRES), and terminals 17 and 18 (16.5 VAC POWER WIRES). If noise is still present, proceed to step 3. If noise is gone, the source of the noise is one of the external devices that were connected to the 1812. Reconnect them one at a time until you find the item that is the source of the noise.
3. Remove the PHONE OUT wires from terminals 4 and 5 at the 1812 unit. Connect your handy phone directly to the loose PHONE OUT wires. The wires should be dead and you should not have any dial tone on these wires. If you do have dial tone, the 1812 is wired incorrectly. Disconnect power immediately and refer to the wiring information section in this manual.
4. Disconnect your handy phone from the PHONE OUT wires (step 3). Remove the PHONE IN wires from terminals 1 and 2 at the 1812 unit. Connect the PHONE IN wires to the PHONE OUT wires. This completely disconnects the 1812 unit from the circuit. Check the phones in the house. If the noise is gone, problem is with or in the 1812 unit, or with the power supply or power wiring. Reconnect the PHONE IN wires to terminals 1 and 2, and the PHONE OUT wires to terminals 4 and 5, then proceed to step 5. If the noise is still present, problem is with the PHONE IN or PHONE OUT wires running from the 1812 unit to the bypass switch. These wires will need to be replaced and/or re-routed to correct the problem.
5. Disconnect the 16.5 VAC wires from terminals 17 and 18. If the phone line is now clear, the problem is in the 16.5 VAC power run. Check the power lines for a ground, or running next to high voltage wires, or an improper wire size and insulation, or too long of a wire run. If noise is still present, go to step 6.
6. If noise is still present at this step in the trouble shooting sequence, this would indicate a short to ground internally in the 1812 unit. Remove the J2 11-pin door accessories plug from the circuit board, and check for noise again. If noise is gone, this would indicate a problem with the microphone board, speaker, push button, or lights on the front panel assembly. Check for any shorts to ground on any of these components or wiring. Check to be sure that none of the wires are pinched. If noise is still present, check the wires entering the back of the 1812 box and be sure that none are pinched. Be sure that these wires are not touching the back of the 1812 circuit board, possibly causing a short to ground. If all of the above steps fail to identify the source of noise, contact DoorKing for additional assistance.

5.4 Troubleshooting Table

Symptom	Possible Solution(s)
Cannot get into programming mode.	<ul style="list-style-type: none"> • Wrong master code entered. Start over. • Waiting too long between pushing buttons. Enter information quicker. • Keypad is not plugged into board correctly. Cable points down (See page 45, Red wire on the left).
System emits a long tone and cancels programming.	<ul style="list-style-type: none"> • Waiting too long between pushing buttons. • Forgetting to press * first when programming.
OV LED is ON. Nothing operates.	<ul style="list-style-type: none"> • Too much input power. "OV" (Over Voltage) LED will be ON when too much power (24 VAC) is applied to circuit board. Check for 16.5 VAC input power maximum (DO NOT use 24 VAC input power).
Keypad is dead.	<ul style="list-style-type: none"> • No power. Check for 16.5 VAC input power maximum (DO NOT use 24 VAC input power). • Too much power. "OV" LED will be ON when too much power (24 VAC) is applied to circuit board. • Check that the keypad is properly connected to the circuit board. The cable on the plug points down when connected to the circuit board (See wiring schematics on page 48 for correct keypad connection).

Symptom	Possible Solution(s)
Dial tone is heard on the 1812 speaker.	<ul style="list-style-type: none"> The system is not wired in series with the resident phone line. Check the PHONE IN terminals (1 & 2) and the PHONE OUT terminals (4 & 5).
Buzz or noise on the line.	<ul style="list-style-type: none"> Check for a short to ground behind the circuit board. Check for pinched wires near the door hinge. Check for 16-volt power shorted to a conduit. Check for a phone line shorted to ground. Check that the phone wires are twisted. Check that all wires, speaker, keypad, etc., are isolated from ground. Check that the cabinet is properly grounded. Be sure case ground (terminal 3) is not used as a low voltage common. Check for excessive voltage drop on 16 VAC power. Check phone line with telephone test set.
Buzz on telephone line.	<ul style="list-style-type: none"> Remove the PHONE IN and PHONE OUT wires from the 1812 terminal strip. Connect the PHONE IN wires to the PHONE OUT wires. If the noise is still present, bad PHONE IN or PHONE OUT wires. Remove 16.5 VAC wires from the terminal strip. Check house phones. If noise goes away, 16.5 VAC wires are probably grounded. Replace wires. Check internal wires, switch wires, battery wires for any pinches or shorts.
Phones in home will not ring.	<ul style="list-style-type: none"> Check that the by-pass switch is not set to by-pass mode. Do Not Disturb time zone may be enabled. Turn Do Not Disturb off or change time zone boundaries. Call forward feature enabled or call forward time zone is turned on. Turn off call forward and call forward time zone. Change call forward time zone boundaries. Voltage drop in 16 VAC supply. Check voltage at terminals 17 & 18. Disconnect PHONE OUT wires from terminals 4 & 5. Connect test telephone to terminals 4 & 5. If test telephone rings, problem is with phone out wiring. If test phone does not ring, circuit board may be at fault.
Phones in home ring, but no communication occurs.	<ul style="list-style-type: none"> Check telephone company demarcation (interface) device placement. 1812 must be wired so that the C.O. wires exiting the demarcation device are connected to the C.O. terminals on the bypass switch. Check the wiring diagram. Disconnect the PHONE OUT wires and connect a test telephone to the PHONE OUT terminals (4 & 5). If the 1812 cannot communicate with the test phone, PHONE IN and PHONE OUT wires may be connected backwards. Check wiring and reconnect.
System will not activate relays. Phones do not generate a tone.	<ul style="list-style-type: none"> Switch the wires on the PHONE OUT terminals (4 & 5). Switch wires on PHONE IN terminals (1 & 2) if using the call forward or preprogrammed dialing out features.
System generates tone when granting access to a visitor, but will not work on regular phone line.	<ul style="list-style-type: none"> Switch the wires on the PHONE IN terminals.
System will not answer when called from the resident's phone.	<ul style="list-style-type: none"> Using the wrong attention number. Re-program attention number (2.4.3).
System will not answer when called from a remote location.	<ul style="list-style-type: none"> Answer incoming call feature is disabled. Turn answer incoming call feature on (# of rings 2.4.9). Number of rings to answer may be programmed too high. Reprogram number of rings to answer.
Electric strike locks on or gate operator holds open.	<ul style="list-style-type: none"> Excessive voltage drop on 16.5 VAC line. Auto relay time zone is enabled. Turn off Auto relay time zone or reprogram the time zone. Access code used was programmed under a hold open relay code. Reprogram access code into a momentary activation relay code (2.6.4). A hold command was sent to the relay from the resident's phone. Deactivate the relay using the resident's phone.
Access code will not work.	<ul style="list-style-type: none"> Forgetting to press # first (Section 4.1.4). Access code is time zone restricted and the access code time zone is enabled. Turn access code time zone off, reprogram time zone boundaries or reprogram "simple" access code without a time zone.

5.5 1812 Access Plus Wiring Schematic



5.6 Accessories

RS-485 Card Readers

P/N 1815-232 (uses DKS reader); P/N 1815-233 (uses AWID reader); P/N 1815-234 (uses HID reader)

RS-485 Keypads

P/N 1513-080 (surface mount, non-lighted); P/N 1513-081 (surface mount, lighted); P/N 1513-082, (flush mount, lighted)

RS-485 RF Receiver

P/N 8053-080 (MicroPlus receiver)

Secondary Keypads: Allows remote activation of the system relays by use of the access codes. Does not provide any voice communication to the main unit or to the resident telephone. P/N 1812-082 (surface mount); P/N 1812-197 (flush mount)

Surge Suppressors:

High voltage (115 V) suppressor. P/N 1876-010.

Phone line suppressor. P/N 1877-010.

Low voltage (28 V) suppressor. P/N 1878-010.

Mounting Posts:

Gooseneck mounting post with concrete base plate. P/N 1200-045.

Gooseneck mounting post – direct burial. P/N 1200-046.

Telephone Test Set: Includes clips, cord and carrying case. P/N 1800-050.

Back-Up Battery: 12 volt .8 amp hour gel cell provides stand by power during power interruptions. P/N 1801-008.

Postal Lock Box: Provides a means for the mail carrier to enter the premise to deliver mail. P/N 1402-080.

Magnetic Locks: A variety of magnetic locks are available to meet individual application requirements. Contact your DoorKing dealer.

Electric Strikes: A variety of electric strikes are available to meet individual application requirements. Contact your DoorKing dealer.

CCTV Camera: Camera mounted in phone system. P/N 1812-130 Color, P/N 1812-040 Black & White. Not available for the wall mount model.

5.7 Programmed Information Log Sheets

Complete the information in the tables on the following pages to maintain a record of the information that has been programmed into the 1812 Access Plus entry system. 1812 Access Plus manual is available on-line at: www.dkaccess.com if extra log sheets are required.

Master Code			
1st Digit	2nd Digit	3rd Digit	4th Digit

Relays								
Tone Number Function	1 Internal	2 Internal	3 External	4 External	5 External	6 External	7 External	8 External
Momentary Activation								
Hold Open								
Deactivate Relay								
Hold Open 1 Hr.								

Do Not Disturb Time Zone	
Beginning Time	
Ending Time	
Days of the Week	

Call Forward Time Zone	
Beginning Time	
Ending Time	
Days of the Week	

Access Code Time Zones				
	Time Zone 1	Time Zone 2	Time Zone 3	Time Zone 4
Beginning Time				
Ending Time				
Days of the Week				
Relays				

Automatic Relay Activation Time Zones				
	Time Zone 1	Time Zone 2	Time Zone 3	Time Zone 4
Beginning Time				
Ending Time				
Days of the Week				
Relays				

Directory Codes 24 – 50 / Dial-Out Phone Numbers

Directory Code	Name	Phone Number
24		
25		
26		
27		
28		
29		
30		
31		
32		
33		
34		
35		
36		
37		
38		
39		
40		
41		
42		
43		
44		
45		
46		
47		
48		
49		
50		

1-25 Access Codes Log Sheet (With Phone Numbers)

Name / Phone Number (Optional)	Access Code # and Type: Simple or Time Zone Restricted	Device Type	Time Zone Restricted Information	
			Time Zone Number	Relay: Momentary or Hold (Latch)
1				
2				
3				
4				
5				
6				
7				
8				
9				
10				
11				
12				
13				
14				
15				
16				
17				
18				
19				
20				
21				
22				
23				
24				
25				

26-50 Access Codes Log Sheet (With Phone Numbers)

Name / Phone Number (Optional)	Access Code # and Type: Simple or Time Zone Restricted	Device Type	Time Zone Restricted Information	
			Time Zone Number	Relay: Momentary or Hold (Latch)
26				
27				
28				
29				
30				
31				
32				
33				
34				
35				
36				
37				
38				
39				
40				
41				
42				
43				
44				
45				
46				
47				
48				
49				
50				

1-25 Access Codes Log Sheet (Access Only)

Name	Access Code # and Type: Simple or Time Zone Restricted	Device Type	Time Zone Restricted Information	
			Time Zone Number	Relay: Momentary or Hold (Latch)
1				
2				
3				
4				
5				
6				
7				
8				
9				
10				
11				
12				
13				
14				
15				
16				
17				
18				
19				
20				
21				
22				
23				
24				
25				

26-50 Access Codes Log Sheet (Access Only)

Name	Access Code # and Type: Simple or Time Zone Restricted	Device Type	Time Zone Restricted Information	
			Time Zone Number	Relay: Momentary or Hold (Latch)
26				
27				
28				
29				
30				
31				
32				
33				
34				
35				
36				
37				
38				
39				
40				
41				
42				
43				
44				
45				
46				
47				
48				
49				
50				

Installation/Owner's Manual **Model 1812 Access Plus**

PC Programmable Residential Telephone Intercom/Access Control System

Use this manual for circuit board 1970-010 Revision U or higher.

1812-162-X-10-16



Download **ACCESS PLUS ACCOUNT MANAGER** Software **FREE** at:
<http://www.doorking.com/accessories/access-plus-software>

www.doorking.com

DoorKing, Inc.
120 S. Glasgow Avenue
Inglewood, California 90301
U.S.A.

Phone: 310-645-0023
Fax: 310-641-1586