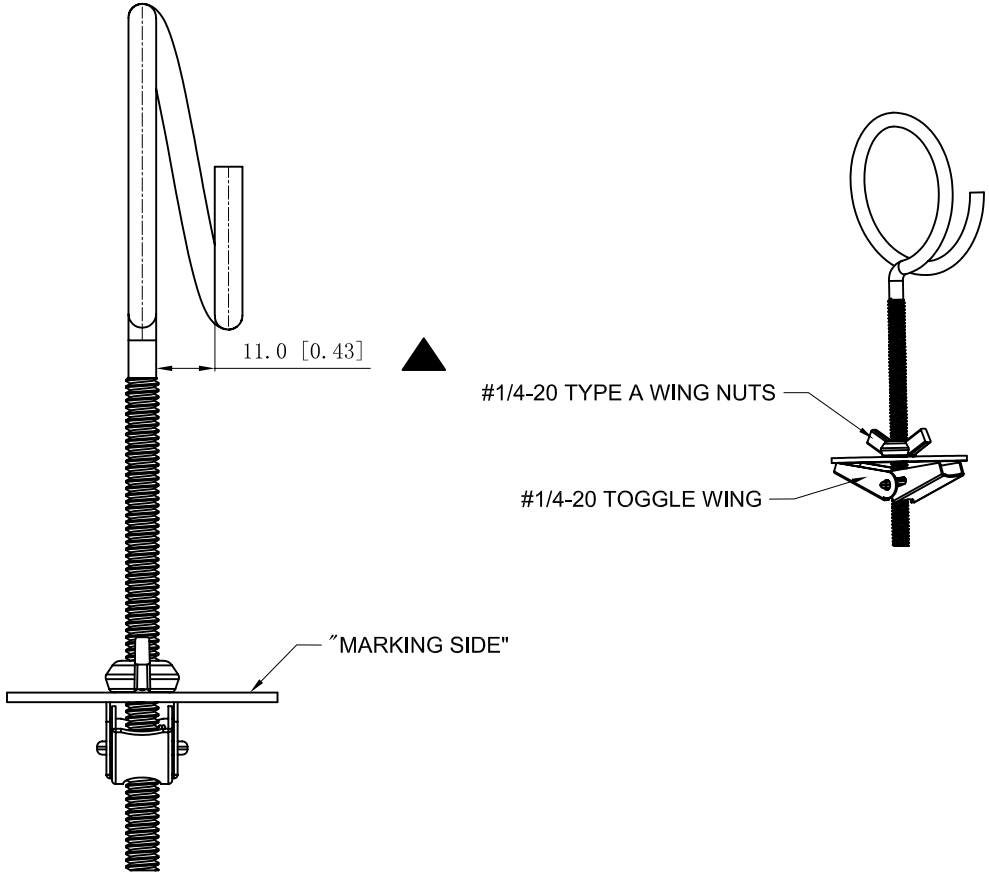
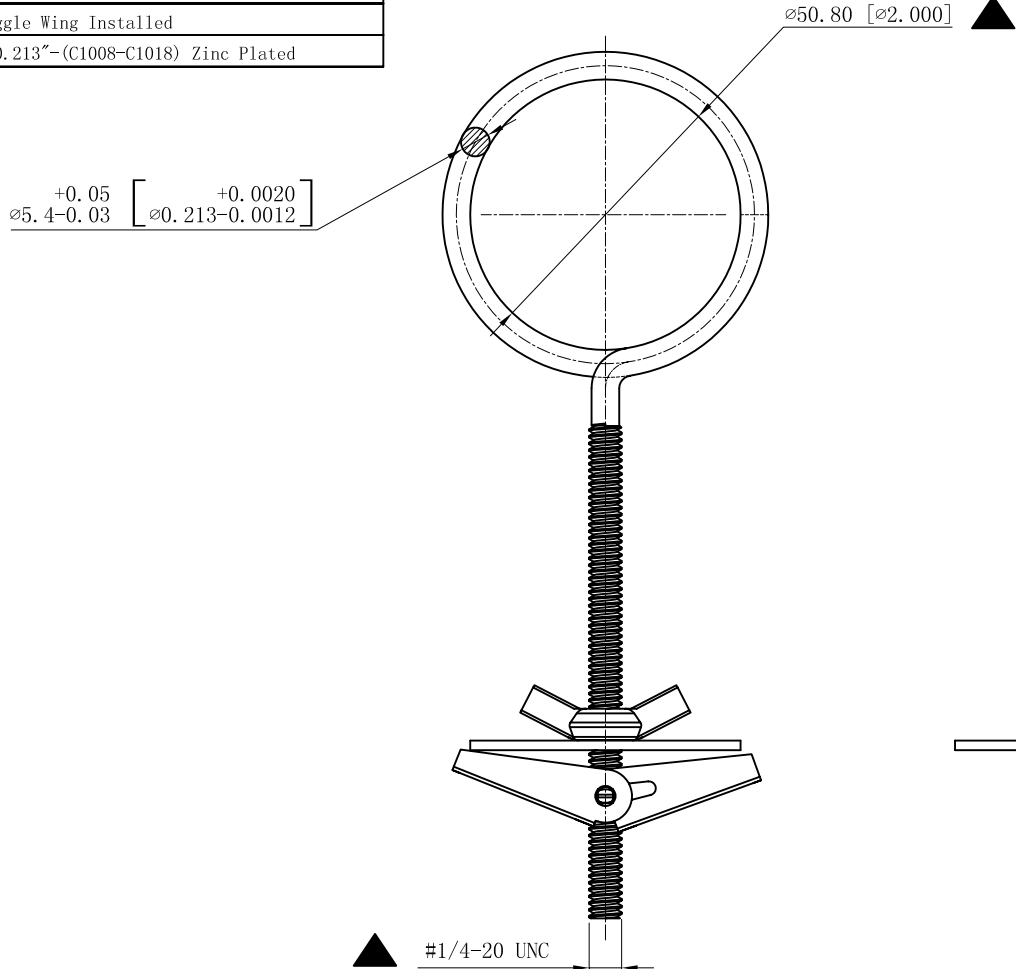


SIDES	BOTTOM
1 PCS #1/4-20 Type A Wing Nuts Installed	
1 PCS #1/4-20 Toggle Wing Installed	
Material: Steel- ≈ 0.213 "-(C1008-C1018) Zinc Plated	



This data sheet is for reference only .GARVIN INDUSTRIES reserves the right to make changes to the design without prior notice.

DESCRIPTION
Patent #: Pat. US 6,364,266 B1
TRADE REFERENCE TERMS

STANDARD PACKING
50 PCS

GARVIN INDUSTRIES			
TITLE TOGGLE RINGS WITH 4" THREADED LEG			
SIZE A4	DWG NO.	BR-200-TW	REV C
DATA SHEET			