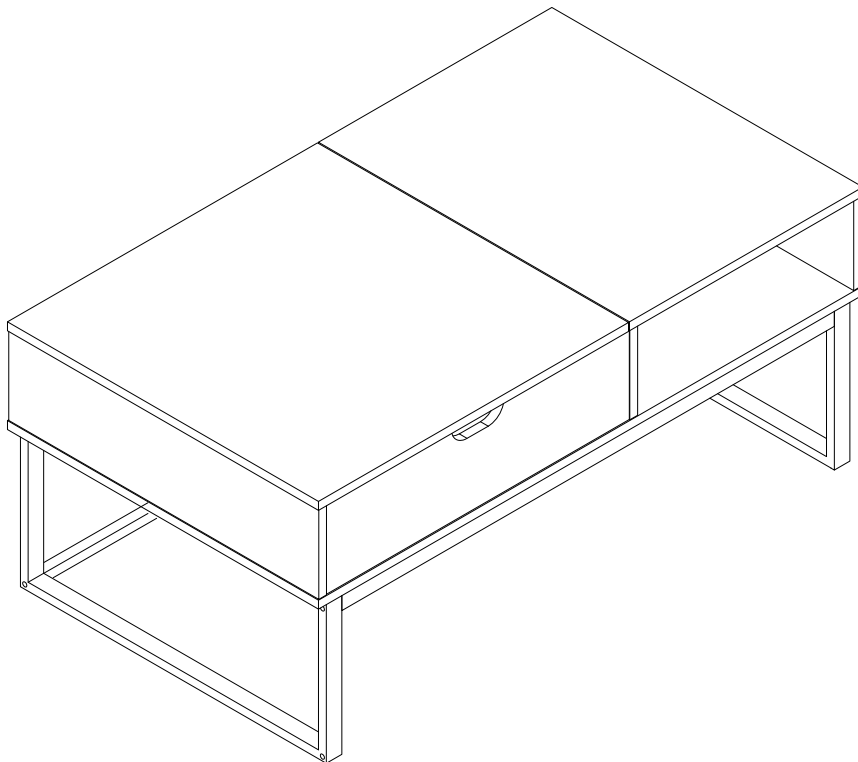
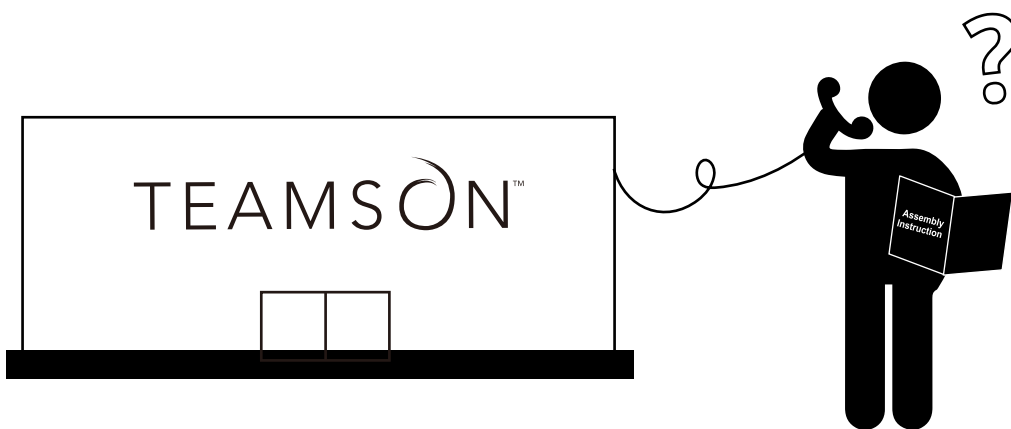
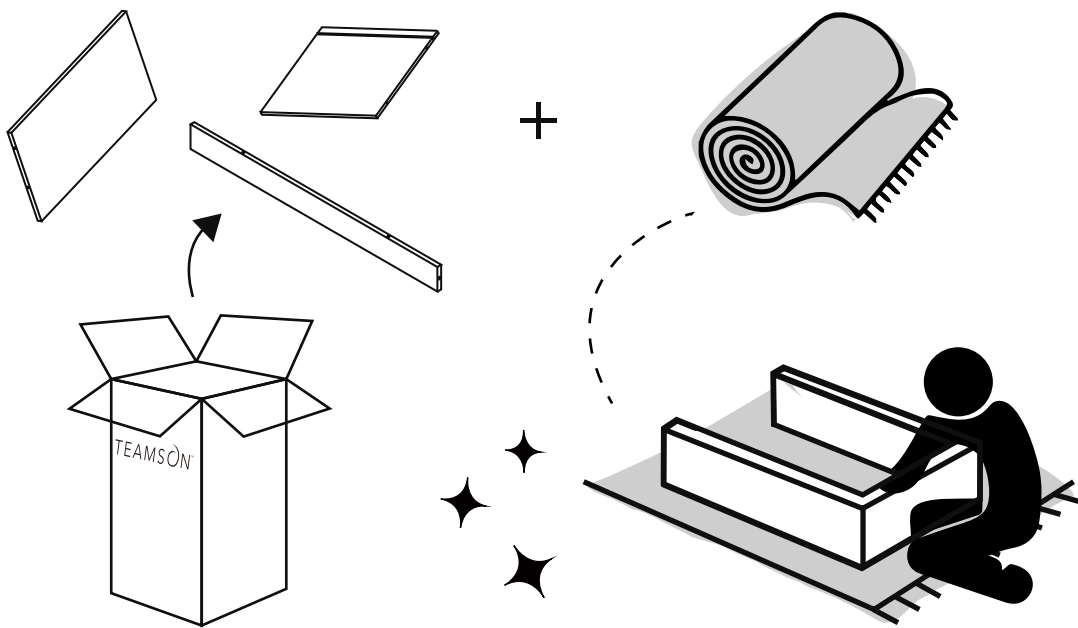
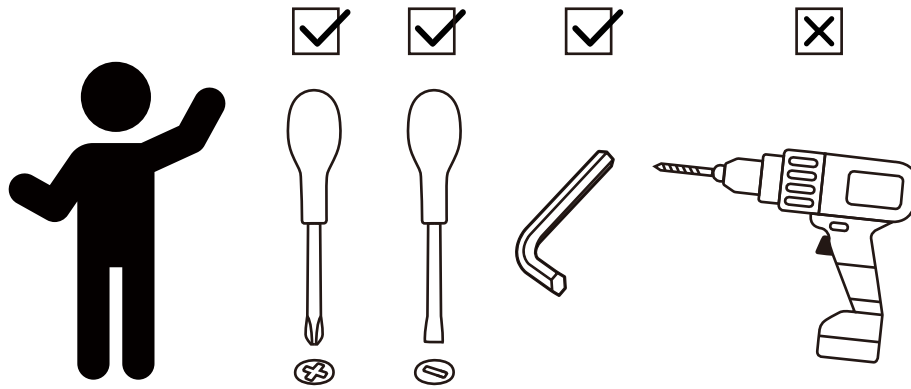


**Versanora
Lift Top Coffee Table
with Storage and Metal Legs**

VNF-00102

TIME SAVER!
3D Interactive Instruction





** Got questions? Please have your product code (on the first page of this instruction, e.g. TD-12345A) and the order number ready, give us a call or email us through our customer care support! We are always ready to assist you!

TEAMSON HOME



Warranty sign up

www.teamsonhome.com

Serving you well gives us great joy!

USA +1(800)935-3959

Mon - Fri 10:00am ~ 2:00pm EST

✉ support@teamson.com

EU/UK . . . +44(0)1952-916-050

Mon - Thu 9:00am ~ 5:00pm GMT

Friday 9:00am ~ 4:00pm GMT

✉ support@teamson.co.uk

ASIA . . . 深圳办公室:

+86(0755)8885-3558.分机号108

Mon - Sat 9:00am ~ 5:00pm GMT+8

✉ sales_ec@teamson.com

台北办公室:

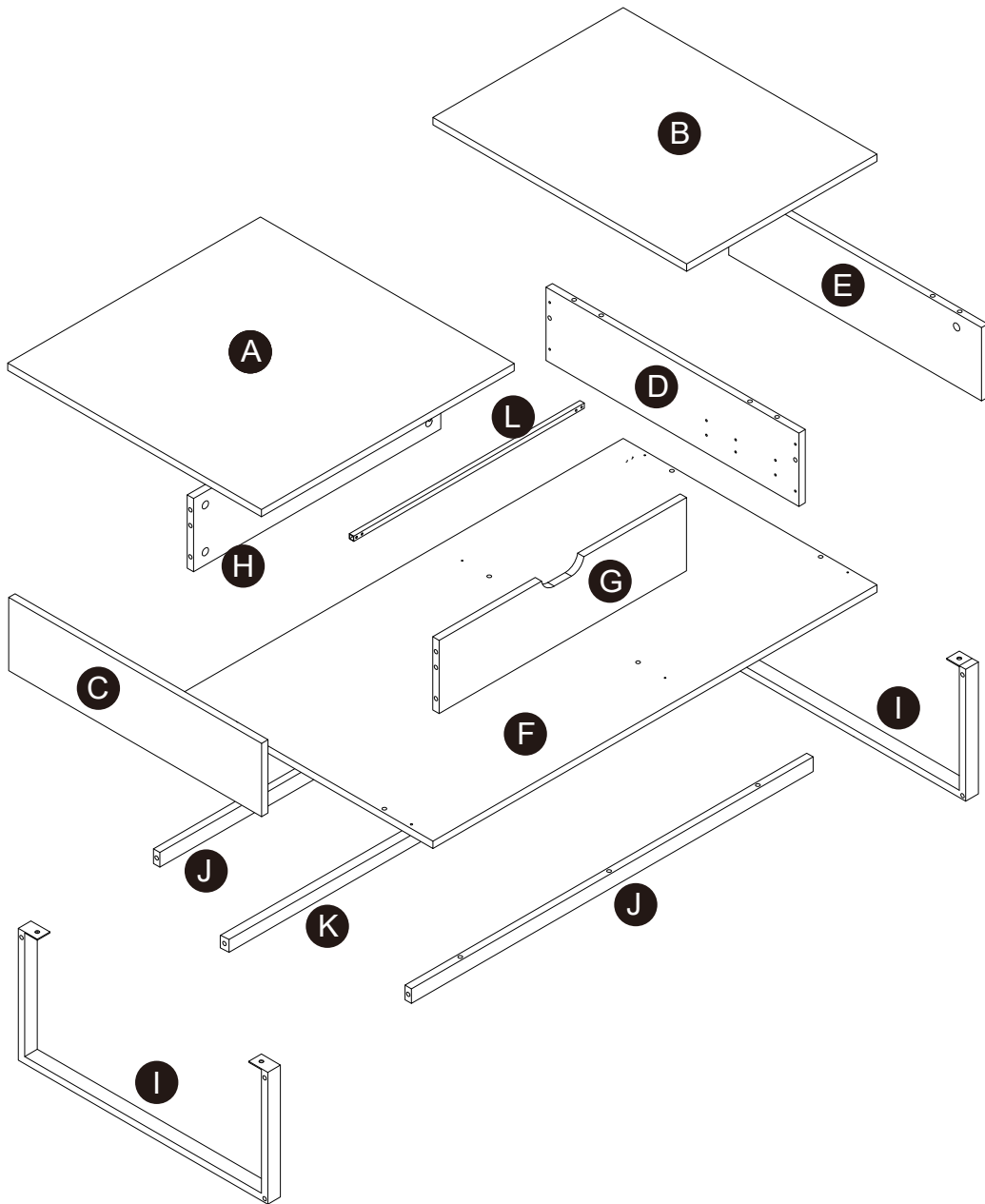
+886(2)2556-6268

Mon - Fri 9:00am ~ 5:00pm GMT+8

✉ sales_ec@teamson.com

Thank you for choosing Teamson Home

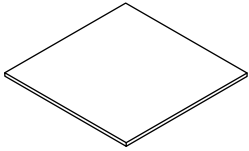
Exploded Drawing



← **Questions?**
Scan Here

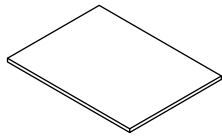
Product Parts

A



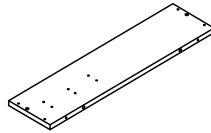
1 PC

B



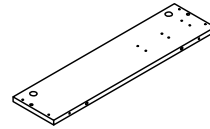
1 PC

C



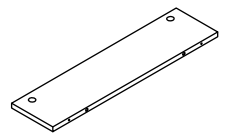
1 PC

D



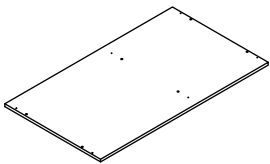
1 PC

E



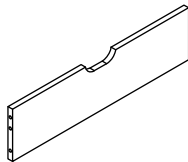
1 PC

F



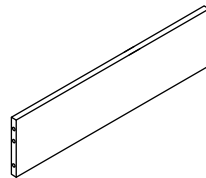
1 PC

G



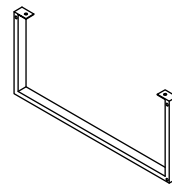
1 PC

H



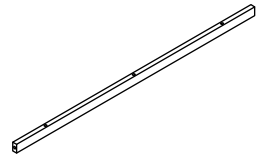
1 PC

I



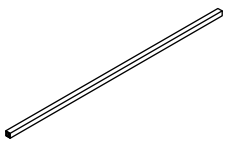
2 PCS

J



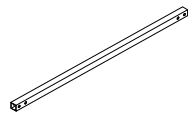
2 PCS

K



1 PC

L



1 PC

! Care Instructions

Dust surface with a dry soft cloth.

Do not use window cleaners or cleaning abrasives as they will scratch the surface and could damage the protective coating

! WARNING

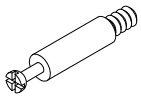
Small parts and sharp edges may be present prior to assembly.



Questions?
Scan Here

Hardware

1



ø6*35mm

12+1 pcs

2



ø15*9mm

12+1 pcs

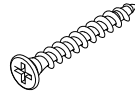
3



ø3.5*14mm

12+1 pcs

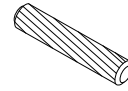
4



ø4*45mm

6+1 pcs

5



ø8*30mm

14+1 pcs

6



M6*50mm

6+1 pcs

7



M6*40mm

6+1 pcs

8



M6*10mm

8+1 pcs

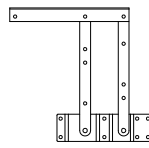
9



ø4mm

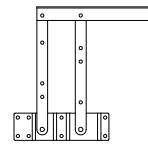
1 pc

10



1 pc

11



1 pc

12



1/4"*40mm

4 pcs

13



1/4"*10mm

4 pcs

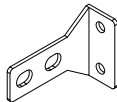
14



1/4" Nut

8 pcs

15



2 pcs

16



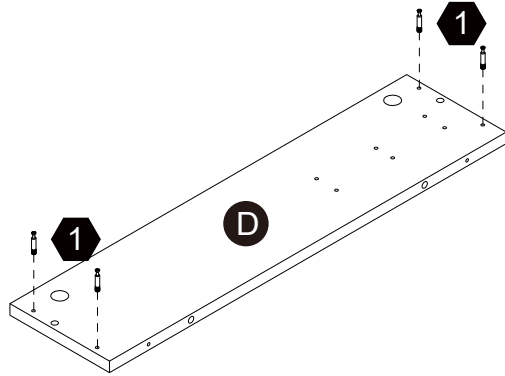
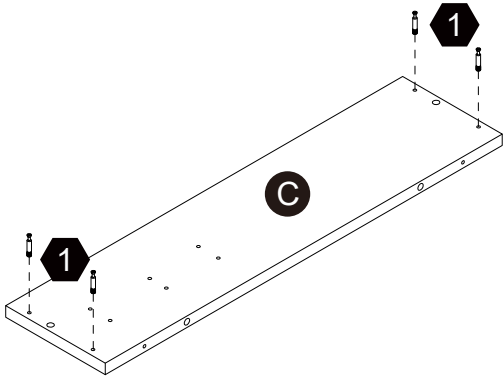
12+1 pcs



Questions?
Scan Here

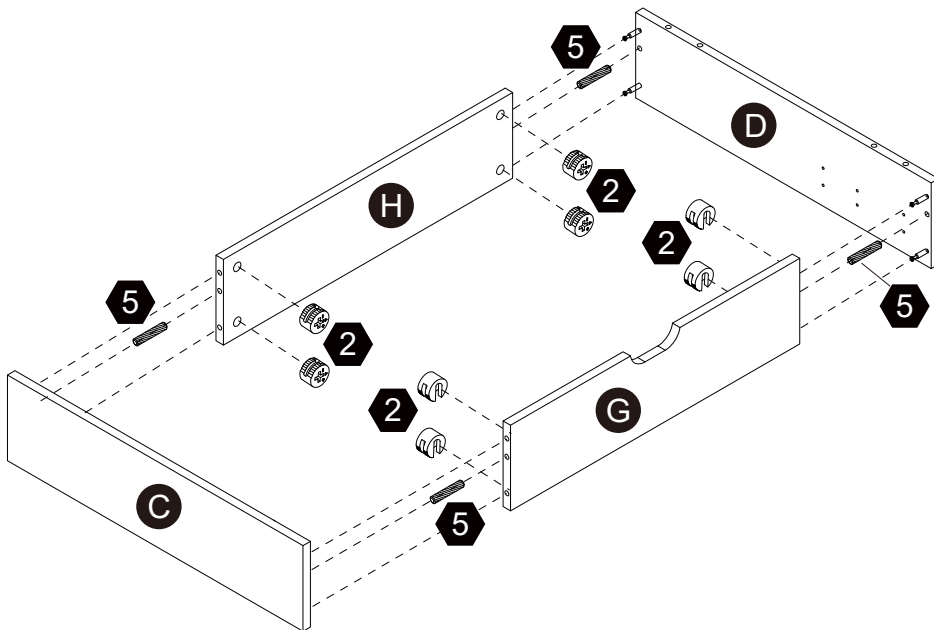
Step 1

1  $\phi 6 \times 35 \text{mm}$ 8 pcs



Step 2

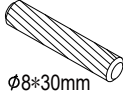
5  $\phi 8 \times 30 \text{mm}$ 4 pcs **2**  $\phi 15 \times 9 \text{mm}$ 8 pcs

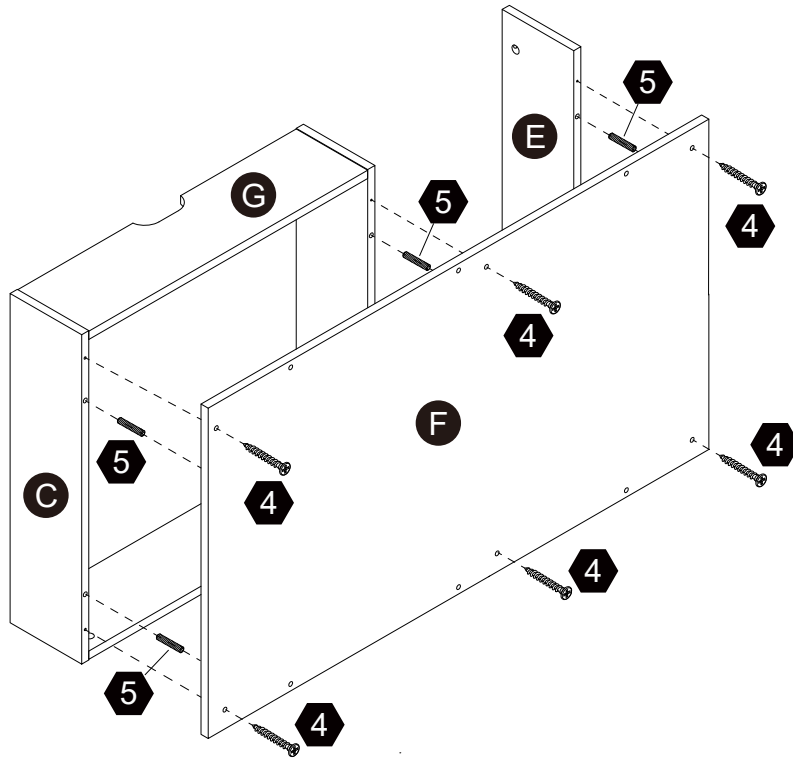


Questions?
Scan Here

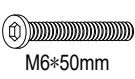
Step 3


4  6 pcs
Ø4*45mm

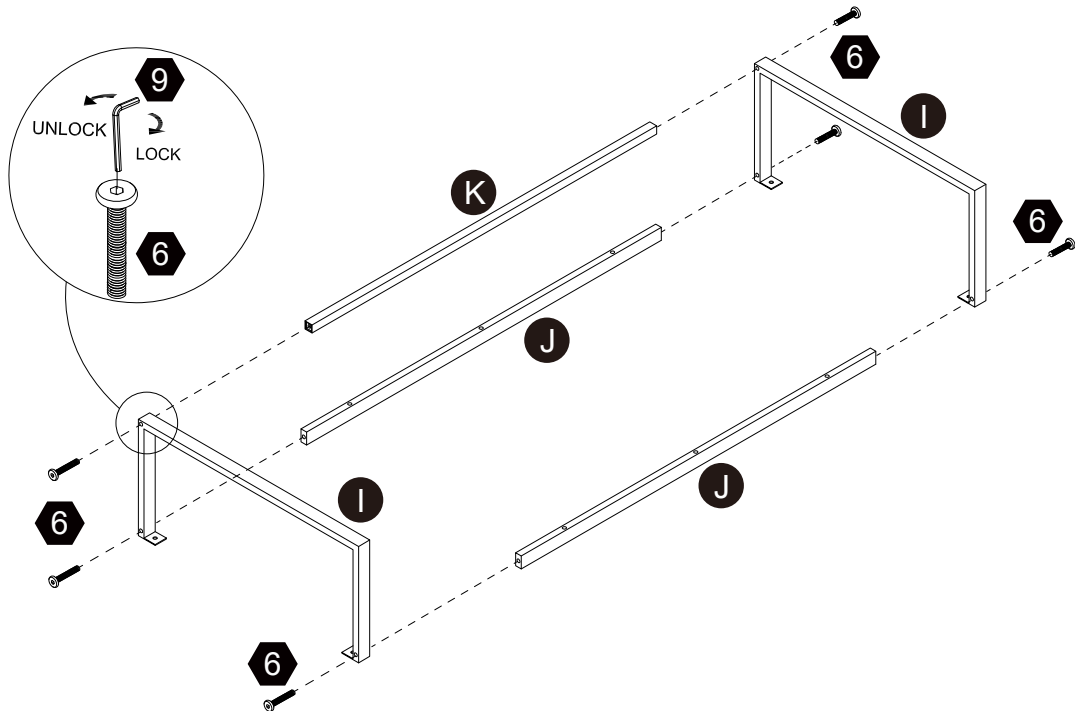
5  6 pcs
Ø8*30mm



Step 4

6  6 pcs
M6*50mm

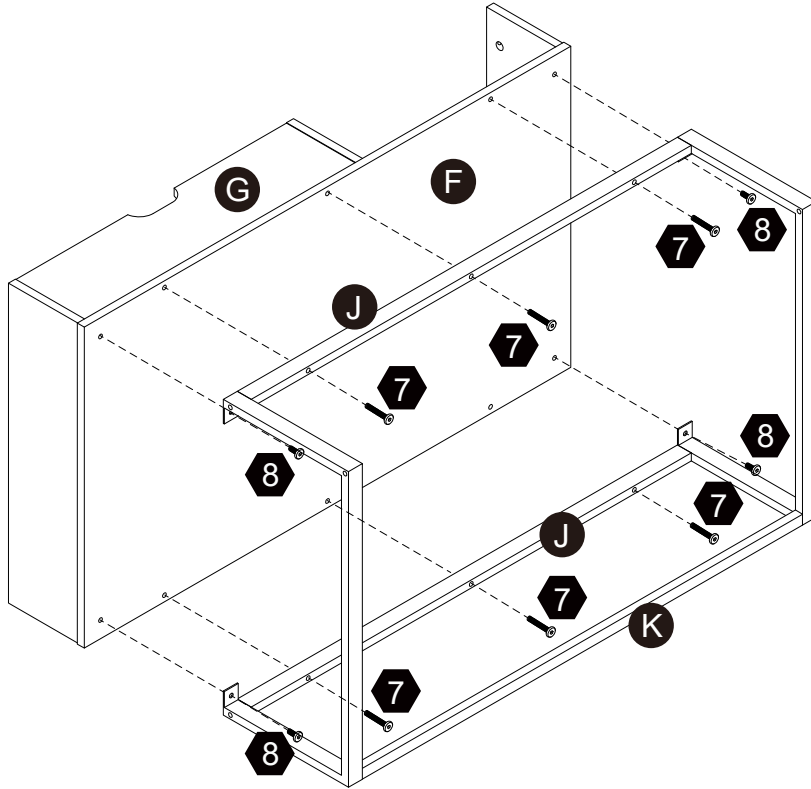
9  1 pc
Ø4mm



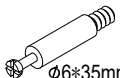
← **Questions?**
Scan Here

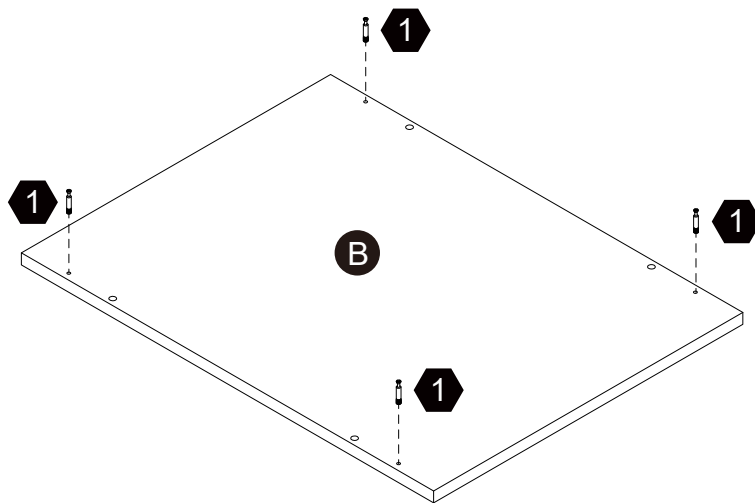
Step 5

7  M6*40mm 6 pcs **8**  M6*10mm 4 pcs **9**  $\phi 4\text{mm}$ 1 pc



Step 6

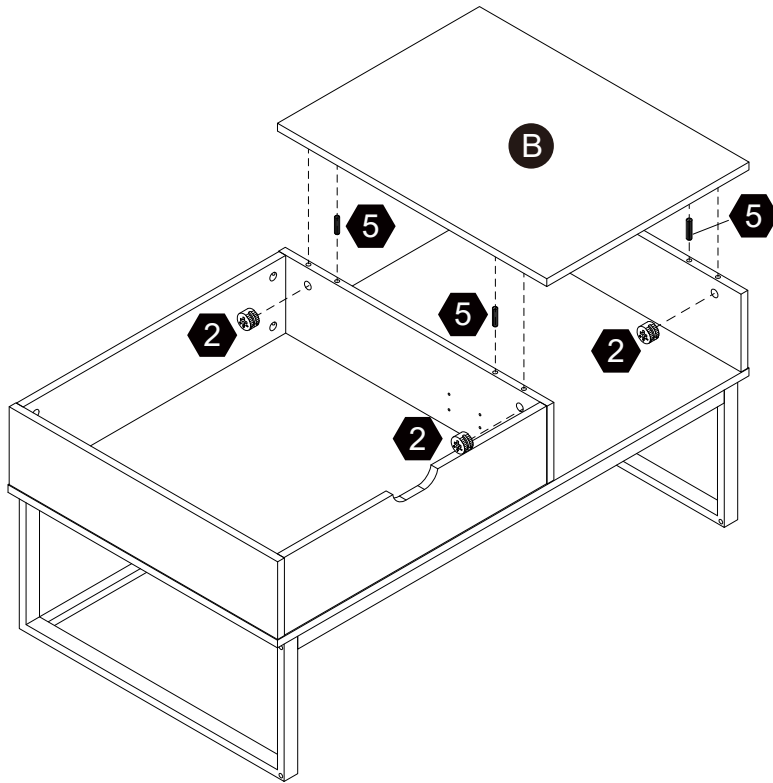
1  $\phi 6*35\text{mm}$ 4 pcs



 **Questions?**
Scan Here

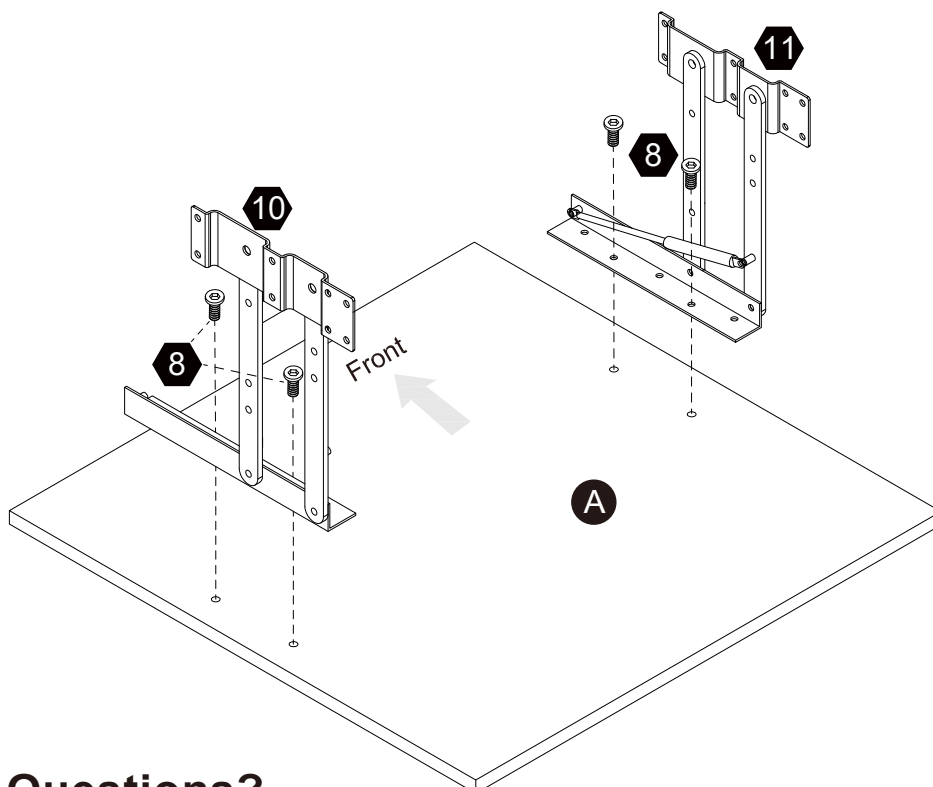
Step 7

- 2  $\phi 15 \times 9 \text{mm}$ 4 pcs
- 5  $\phi 8 \times 30 \text{mm}$ 4 pcs



Step 8

- 8  M6*10mm 4 pcs
- 9  $\phi 4 \text{mm}$ 1 pc
- 10  1 pc
- 11  1 pc



← **Questions?**
Scan Here

Step 9

13



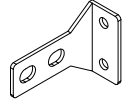
4 pcs

14

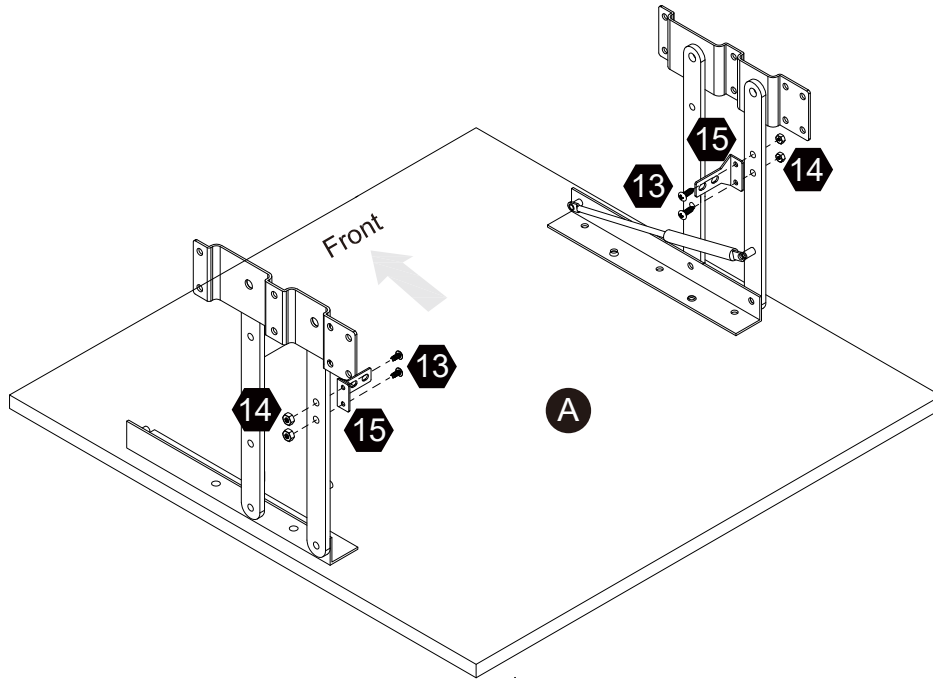


4 pcs

15



2 pcs

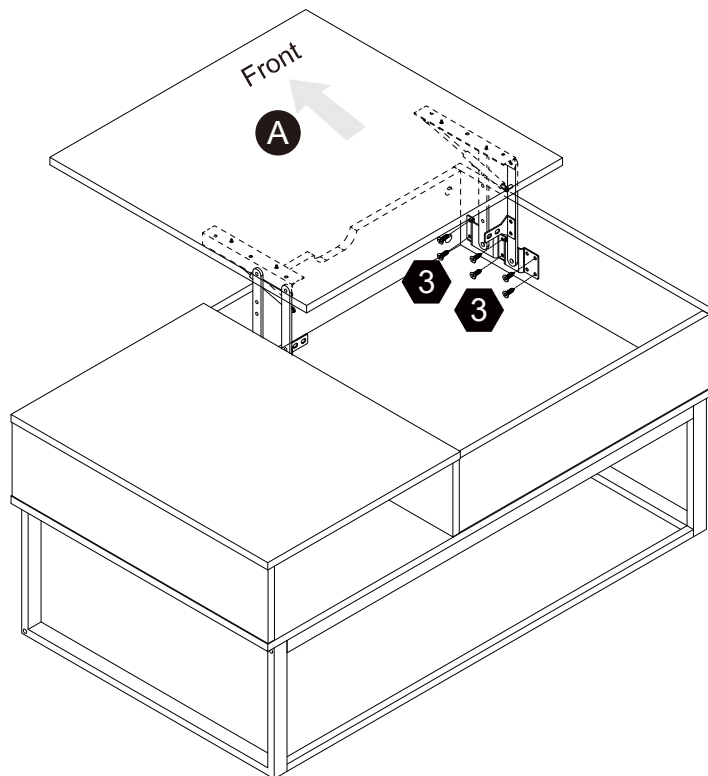


Step 10

3



12 pcs



Questions?
Scan Here

Step 11

12

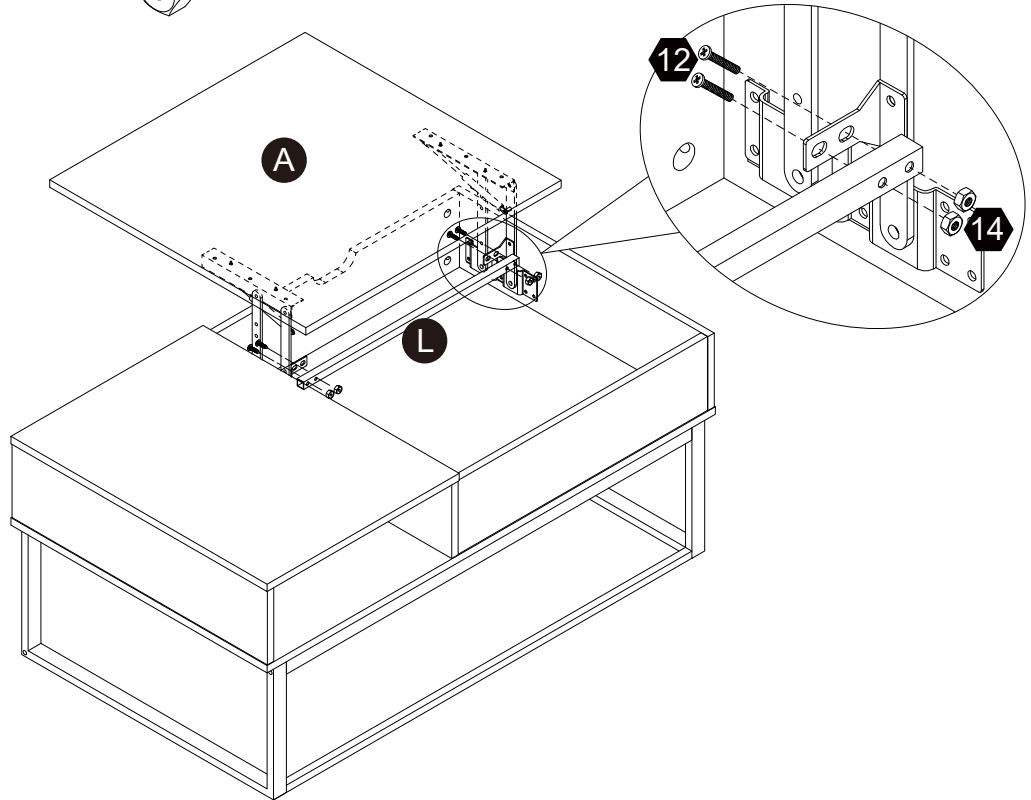


4 pcs

14



4 pcs

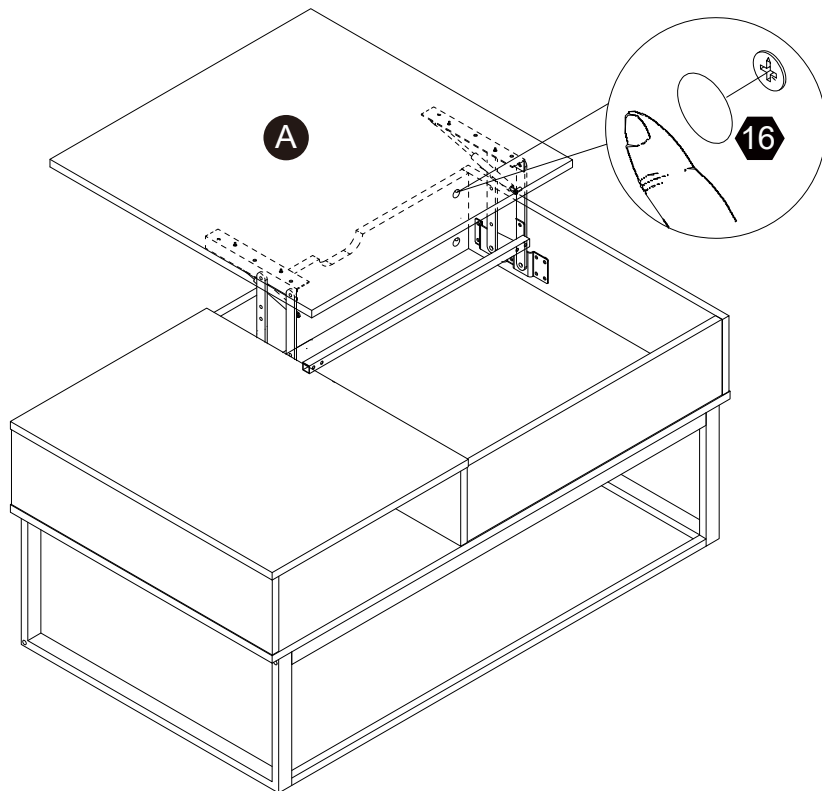


Step 12

16

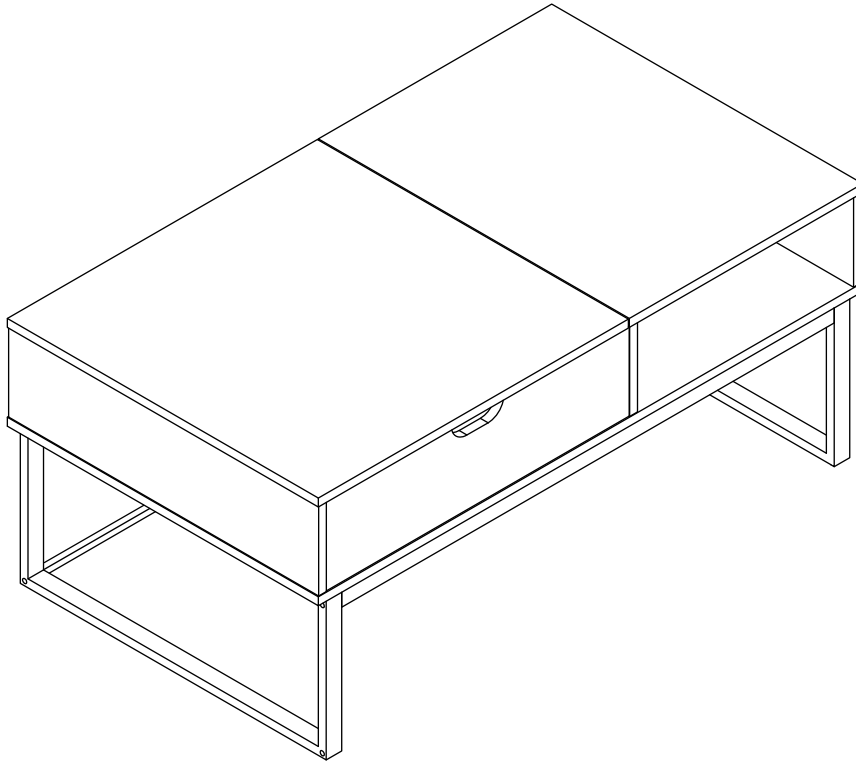


12 pcs



Questions?
Scan Here

Step 13



Questions?
Scan Here