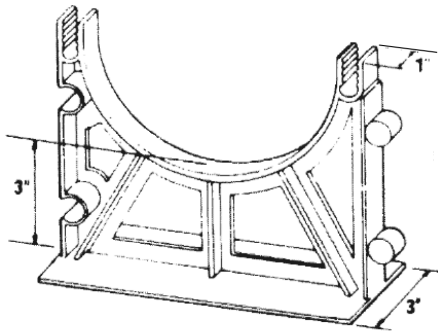
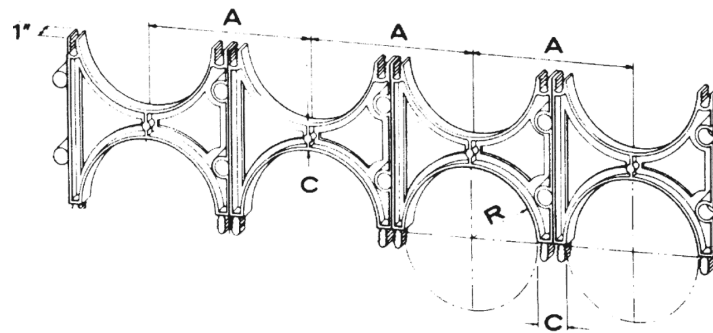


Utility Duct Spacers

PVC Duct Fittings and Accessories



Base spacers provide a 3 inch separation between the bottom row of ducts and the trench floor, except for the 4 x 1 trade size which is 1¾ inches.



Intermediate spacers – Part Numbers shown below are for a single unit – four units are shown together in the above image just to illustrate typical stacking.

Trade Size (in)	Base		Intermediate		Dimensions (inches)		
	Catalog Part Number	System Part Number	Catalog Part Number	System Part Number	R	A	C
2 x 1½	BV2015	1511	IV2015	1501	1.2	4.0	1.5
2 x 2	BV2020	1531	IV2020	1521	1.2	4.5	2.0
2 x 3	BV2030	1551	IV2030	1541	1.2	5.5	3.0
3 x 1½	BV3015	1571	IV3015	1561	1.8	5.1	1.5
3 x 2	BV3020	1591	IV3020	1581	1.8	5.6	2.0
3 x 3	BV3030	1611	IV3030	1601	1.8	6.6	3.0
4 x 1	BV4010	1211	IV4010	1201	2.3	5.6	1.0
4 x 1½	BV4015	1861	IV4015	1851	2.3	6.1	1.5
4 x 2	BV4020	1251	IV4020	1241	2.3	6.6	2.0
4 x 3	BV4030	1901	IV4030	1891	2.3	7.6	3.0
5 x 1½	BV5015	1291	IV5015	1281	2.9	7.3	1.5
5 x 2	BV5020	1311	IV5020	1301	2.9	7.9	2.0
5 x 3	BV5030	1921	IV5030	1911	2.9	8.9	3.0
6 x 1½	BV6015	1331	IV6015	1321	3.3	8.2	1.5
6 x 2	BV6020	1351	IV6020	1341	3.3	8.7	2.0
6 x 3	BV6030	1631	IV6030	1621	3.4	9.8	3.0
8 x 1½	BV8015	1971	IV8015	1961	4.3	10.2	1.5
8 x 2	BV8020	1991	IV8020	1981	4.3	10.7	2.0

- Dimensions are nominal (inches) and are subject to normal manufacturing tolerances
- Material: Polypropylene