

**BOSS**<sup>®</sup>  
AUDIO SYSTEMS

FULLY  
MARINIZED

# MPWT60W

## USER MANUAL

6.5" (165 MM) 2-WAY MARINE/POWERSPORTS ROLL  
CAGE/WAKETOWER SPEAKER PODS





## MPWT60W

6.5" (165 mm) 2-Way Marine/  
Powersports Roll Cage/  
Waketower Speaker Pods

### Congratulations on your purchase of a **BOSS** product.

It has been engineered to bring you the highest level of performance. Its quality will afford you years of listening pleasure.

Thank you for making **BOSS**  
your choice for audio  
entertainment!

## Specifications

### Mid Bass Driver:

6.5" (165 mm)  
Poly injection cone  
Rubber surround

### Tweeter:

1" (25 mm) PEI dome tweeter

### Crossover network:

Built-in

### Impedance:

4 Ohms

### Power Handling:

Max 600 Watts

### Frequency Response:

140Hz - 20kHz

### Sensitivity:

93dB (1 watt/1 meter)

### Dimensions (W x H x D):

7.17" x 11.22" x 7.24"  
(182 x 285 x 184 mm)

### Gross Weight (excl. gift box):

10.4 lbs (4.7 kg)

*All specifications are subject to  
change without notice.*

## USER MANUAL

### Introduction

Your new MPWT60W waketower speakers are high-power, fully-waterproof 2-way systems featuring 6.5" drivers and a 1" PEI dome tweeter.

**BOSS** AUDIO SYSTEMS understands that wake tower speakers are used in many different types of installations. Our versatile mounting solutions give you the ability to attach our wake tower speakers to mounting tubes with diameters of 2.25" - 3" (57 - 76mm).

### What is included?

Before you begin installation, please check that your product contains the following contents:

- (2) Speaker pod
- (4) 175x14x1mm rubber mounting strip
- (2) 175x14x2mm rubber mounting strip
- (2) 175x14x4mm rubber mounting strip
- (2) 49x40x2mm rubber mounting pad
- (2) 49x40x4mm rubber mounting pad
- (4) 3" mounting aluminum band for 3" and 2.75" installation.
- (4) 2.5" mounting aluminum band for 2.5" and 2.25" installation.
- (4) M6 locknut
- (4) M6 flat washer
- (4) M6x75mm screw

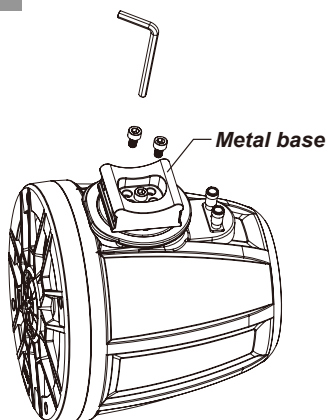
### Safety considerations when installing

Please remember that these are heavy products that will be installed in a boating environment. These vehicles can travel at high speeds and be unstable. So please consider this and use extreme caution.

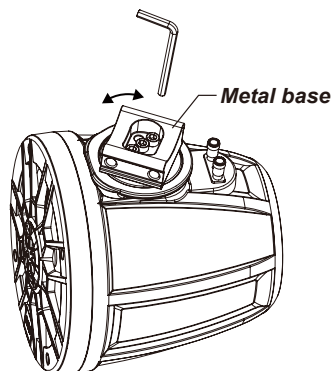
Some safety considerations include:

- 1- Do not mount the speakers in a location where someone may either walk into or strike their head. During a turbulent ride, please make sure that you do not loosen footing and fall or hit the unit, or it may cause injury.
- 2- Secure the wires to the speakers in multiple locations along their route to your audio source, so that there are no hanging loops of wire. Having unsecured wires in any hanging conditions can cause entanglement and injury.
- 3- Tighten the aluminum bands with rubber inserts using care. Do not over compress the rubber inserts. After installation is complete, please recheck all bolts and tighten them further if needed before taking your boat or vessel out for an audio adventure.
- 4- Do not install these speakers where they may block the view of the pilot and prevent safe operation of the vessel or vehicle.

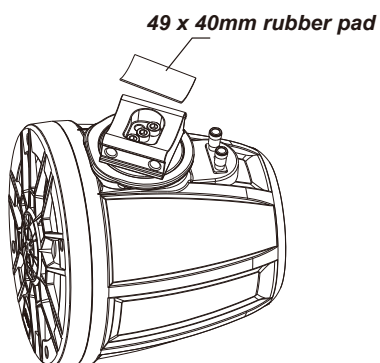
*It is strongly recommended that you work with an assistant to install these speakers.*

**Installation instructions****STEP1**

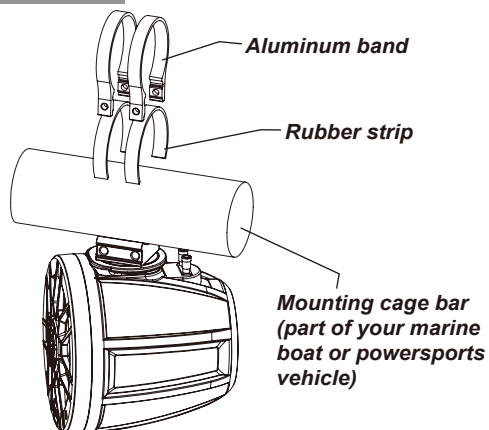
To adjust the mounting angle, loosen the metal base of the mounting band by unbolting the two screws. Make sure to put all components of the mounting hardware in a safe location.

**STEP2**

Twist the metal base to determine the optimal mounting angle for the speaker on the cage bar. Then secure the metal base by tightening the two screws.

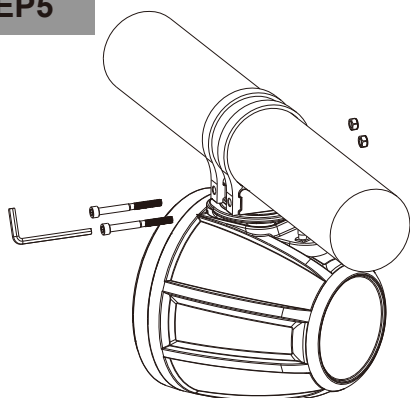
**STEP3**

Place a supplied rubber (49 x 40 mm) pad on the metal base of the mounting band to prevent abrasion and secure clamping.

**STEP4**

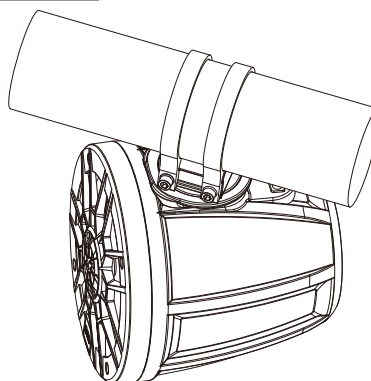
Place a supplied rubber strip around the cage bar to prevent abrasion and secure clamping. Then push two supplied aluminum bands over the cage bar, and align the aluminum bands with the metal base on the speakers.

## STEP 5



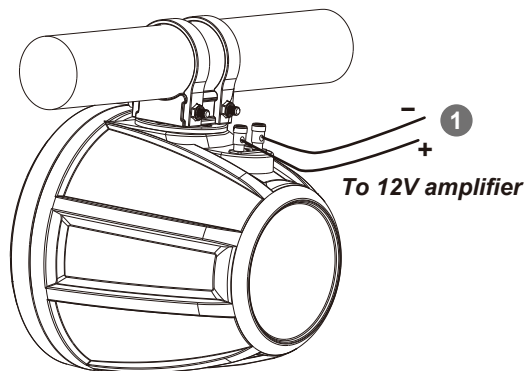
As illustrated, secure the aluminum bands to the metal base using a pair of M6 x 75mm screws, M6 flat washers, and M6 locknuts. The locknuts must be installed into the hex shaped recess on one end of each aluminum band. Hand-tighten the screws to the degree which allows just enough freedom to rotate the speaker around the cage bar.

## STEP 6



Speaker installation now completes.

## Wiring



### Warning:

- For safety, disconnect the negative terminal from the source battery prior to wiring.
- Note your amplifier impedance stability prior to wiring.
- Use only high quality marine-grade speaker wires. Make sure wires are not squeezed or damaged by sharp edges.

### 1 Speaker wire connection

Connect one end of speaker wires (not included) to the terminals on the speaker pod, and the other end to the audio outputs on your 12V amplifier. Make sure to observe polarity.

BOSS Audio Systems  
 3451 Lunar Court • Oxnard, CA 93030  
[www.bossaudio.com](http://www.bossaudio.com)  
 805-751-4853 Customer Service  
 Tech Support: [www.bossaudio.com/support](http://www.bossaudio.com/support)

