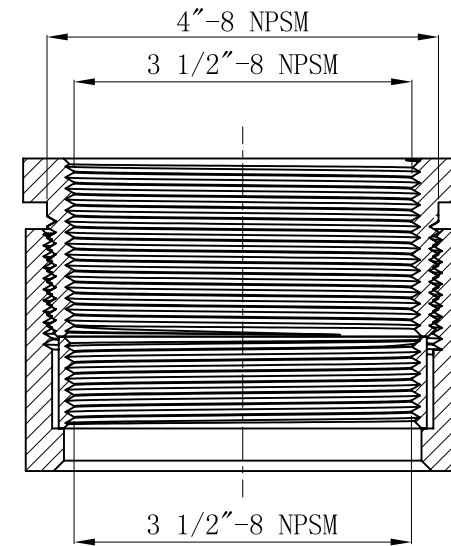
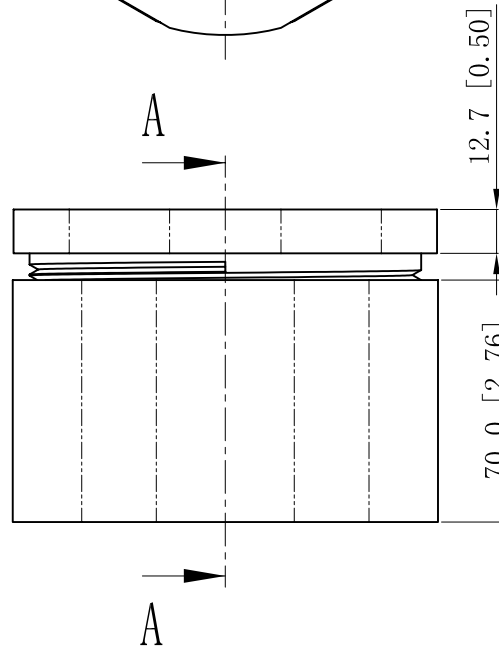
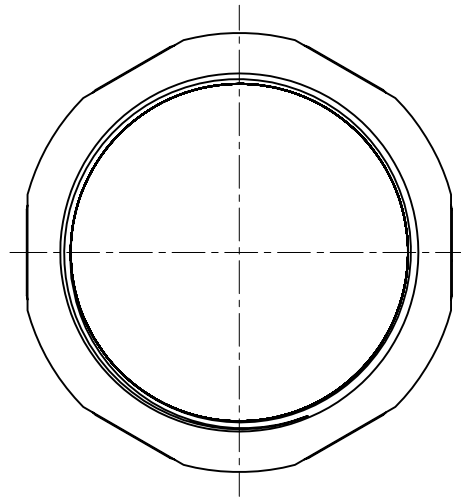
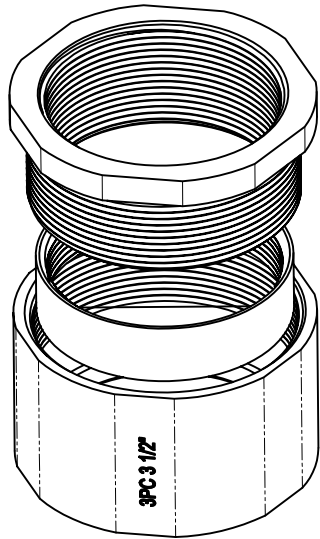


SIDES

BOTTOM

Material:malleable casting,Finish:Zinc plated



CUTAWAY VIEW A-A

This data sheet is for reference only .GARVIN INDUSTRIES reserves the right to make changes to the design without prior notice.

DESCRIPTION
TRADE REFERENCE TERMS

STANDARD PACKING	<h1 style="text-align: center;">GARVIN INDUSTRIES</h1> <h2 style="text-align: center;">THREE-PIECE COUPLING</h2>		
1 PCS			
	SIZE	DWG NO.	REV
	A4	3PC350	
	DATA SHEET		