


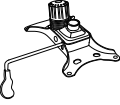













Model ESS-202-BLK Big & Tall 400 lbs. Leather Executive Chair (Black)

Parts Listing

<p>A Chair Back 1 Unit</p> 	<p>B Chair Seat 1 Unit</p> 
<p>C Chair Arms 2 Units</p> 	<p>D Seat Mechanism 1 Unit</p> 
<p>E Gas Lift 1 Unit</p> 	<p>F Telescopic Bellows 1 Unit</p> 
<p>G Chair Base 1 Unit</p> 	<p>H Casters 5 Units</p> 
<p>I Screws (5/16" x 1-1/2") 4 Units</p> 	<p>J Screws (5/16" x 1-1/4") 4 Units</p> 
<p>K Hand Screws (5/16" x 1") 2 Units</p> 	<p>L Hand Screws (5/16" x 1-1/2") 2 Units</p> 
<p>M Washers 4 Units</p> 	<p>N Screw Caps 4 Units</p> 
<p>O Allen Wrench 1 Unit</p> 	



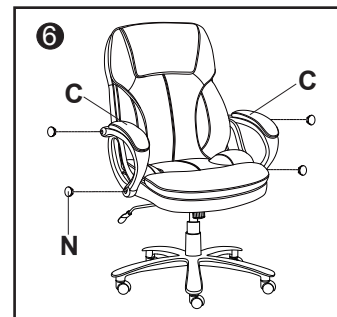
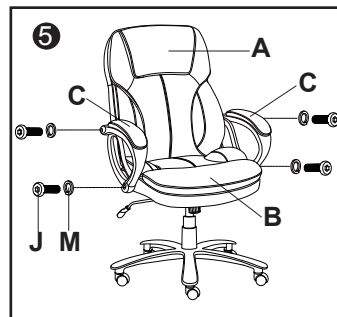
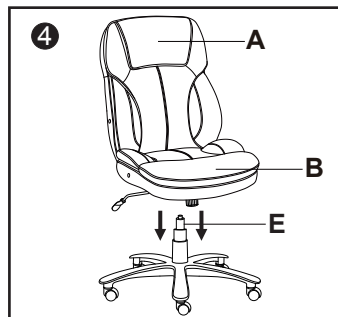
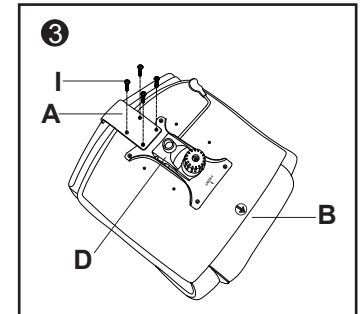
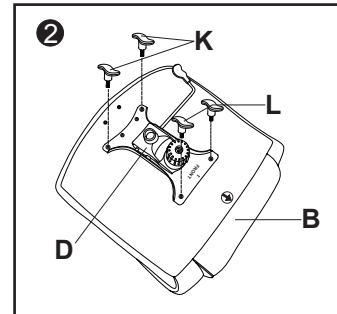
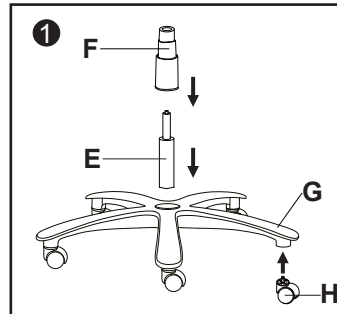
Assembly Instructions



Tools Needed: Allen Wrench - Supplied

Please read all instructions before assembly.

- Step 1:** Insert Casters (H) into Chair Base (G). Insert Gas Lift (E) into Chair Base (G). Cover Gas Lift (E) with Telescopic Bellows (F).
- Step 2:** Attach Seat Mechanism (D) to bottom of Chair Seat (B) using Hand Screws (K) and (L). Tighten by hand.
- Step 3:** Attach Chair Back (A) to Chair Seat (B) using Screws (I). Tighten with Allen Wrench (O).
- Step 4:** Take entire chair frame and place the hole in the center of the Seat Mechanism (D) onto Gas Lift (E). Press down firmly to secure.
- Step 5:** Attach Chair Arms (C) to Chair Seat (B) and Chair Back (A) using Screws (J) and Washers (M). Tighten with Allen Wrench (O).
- Step 6:** Attach Screw Caps (N) to cover exposed Screws on Chair Arms (C).
- Step 7:** Now your chair is fully assembled.



WEIGHT CAPACITY: 400 lbs.

Assembly Notes:

During assembly, hand tighten screws only. When all screws are in place, you may then tighten all screws completely.

CAUTION:

- Do not use this chair as a step ladder.
- Check for loose screws and tighten them every 6 months.

Essentials