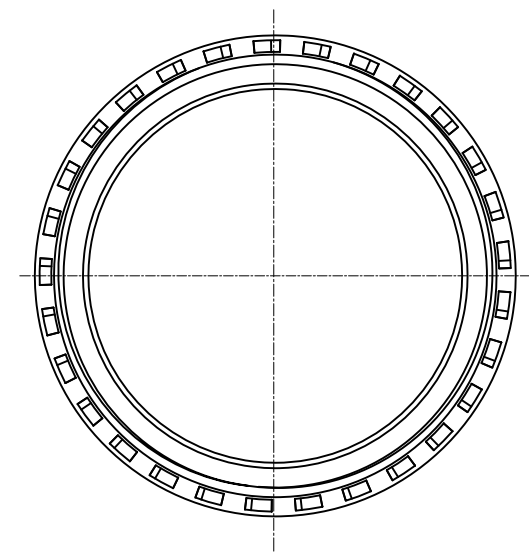
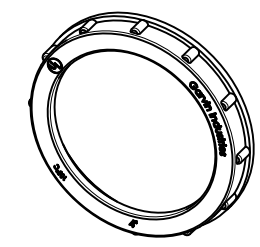
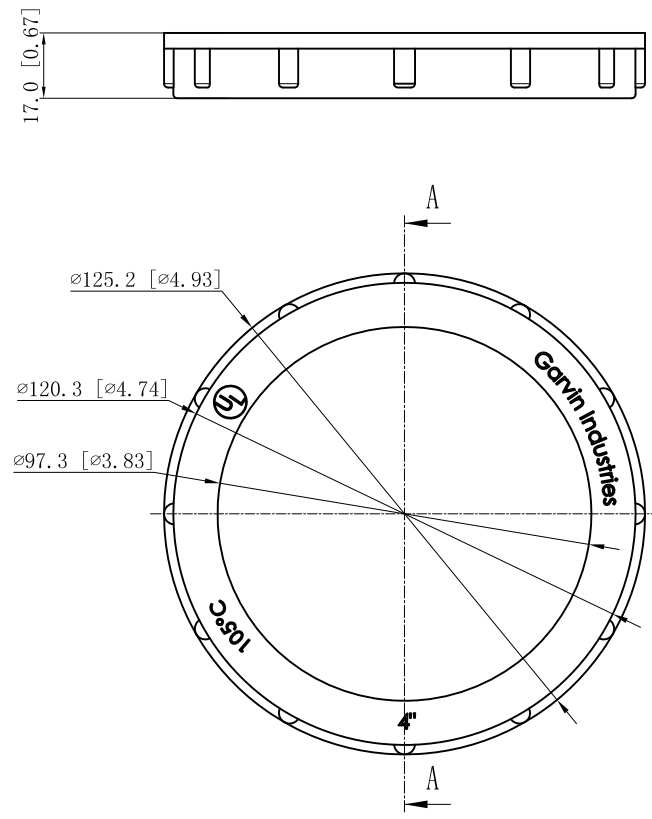
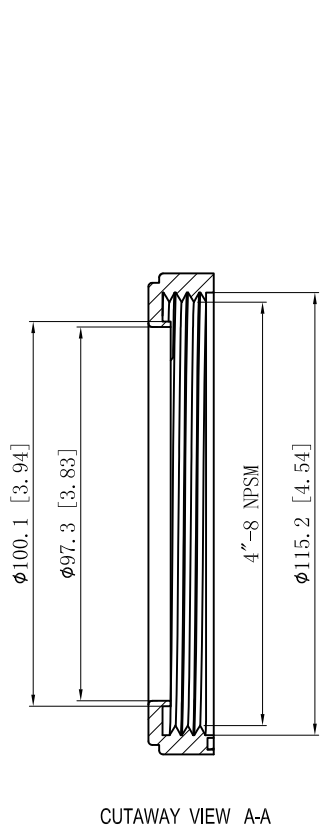


SIDES	BOTTOM
Material:UL94 V-0, PP	



This data sheet is for reference only .GARVIN INDUSTRIES reserves the right to make changes to the design without prior notice.

DESCRIPTION
TRADE REFERENCE TERMS

STANDARD PACKING
100 PCS

<b>GARVIN INDUSTRIES</b>		
TITLE INSULATING BUSHING		
SIZE A4	DWG NO. IBT-400	REV A
DATA SHEET		
www.garvinindustries.com		