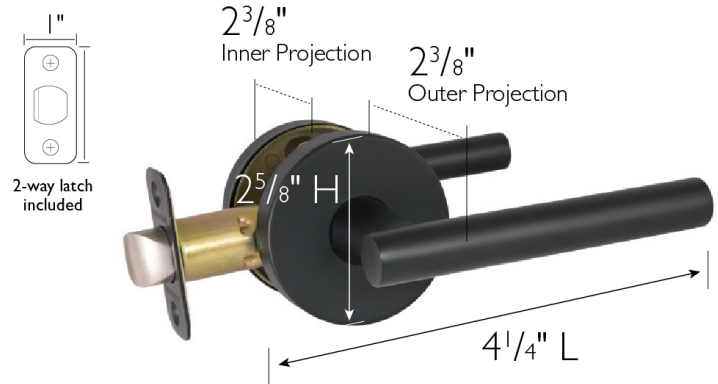


Eastport Passage Hall and Closet Door Lever Matte Black



Compatible with Standard Doors	
Backset	2 ³ / ₈ " - 2 ³ / ₄ "
Door Thickness	1 ³ / ₈ " - 1 ³ / ₄ "
Cross Bore	2 ¹ / ₈ "
Edge Bore	1"

SPECIFICATIONS

MATERIAL CONSTRUCTION:	Zinc	KEYWAY:	N/A
LOCK FUNCTION:	Passage	REMOVABLE CORE:	No
DEADBOLT FUNCTION:	N/A	LATCH FACEPLATE:	N/A
EXTERIOR MAX PROJECTION:	2 3/8"	LATCH BACKSET:	Adj. 2-3/8" - 2-3/4"
INTERIOR MAX PROJECTION:	2 3/8"	LATCH TYPE:	2 Way (fixed faceplate)
KNOB VS. LEVER:	Lever	LATCHBOLT THROW DISTANCE:	1/2"
KNOB DIMENSIONS:	N/A	# PINS IN CYLINDER:	N/A
LEVER LENGTH:	4 5/8"	ANTI-BUMP PIN INSTALLED:	N/A
ROSE DIMENSIONS:	2 9/16" H x 2 9/16" W	# KEYS INCLUDED:	N/A
ROSETTE / ESCUTCHEON SHAPE:	Round	SPINDLE TYPE:	Square
CROSS BORE:	2 1/8"	MOUNTING HARDWARE INCLUDED:	Yes
EDGE BORE:	1"	TOOLS NEEDED FOR INSTALLATION:	Phillips Screwdriver
HANDING:	Reversible	ASSEMBLED WEIGHT:	2.07 lbs.
REKEYABLE?:	No		

WARRANTY:	5-Year limited warranty
ANSI CERTIFICATION:	Grade 3
BHMA GRADE:	3
FIRE RATED:	No
ADA COMPLIANT:	No



TYPE:
JOB:
ORDER CODE:
APPROVALS: