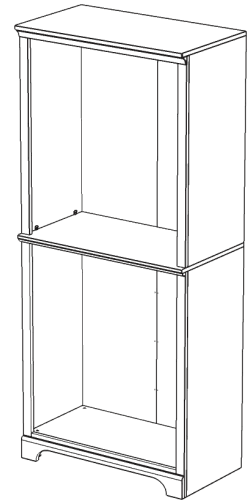


# Closet Wall Hanging Unit



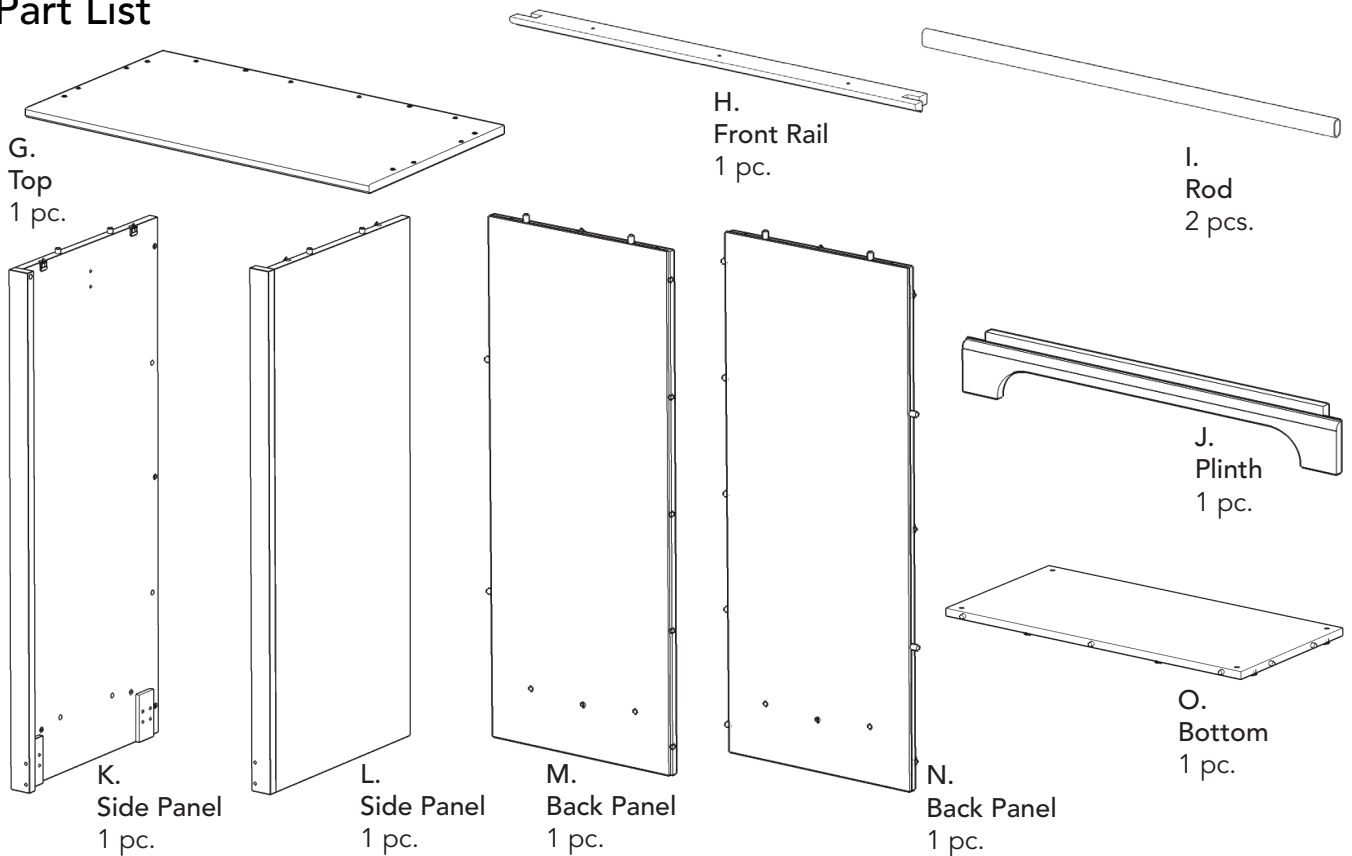
## IMPORTANT

Carefully remove all the parts from the carton and place them individually on a soft cloth to prevent scratches or other damage.

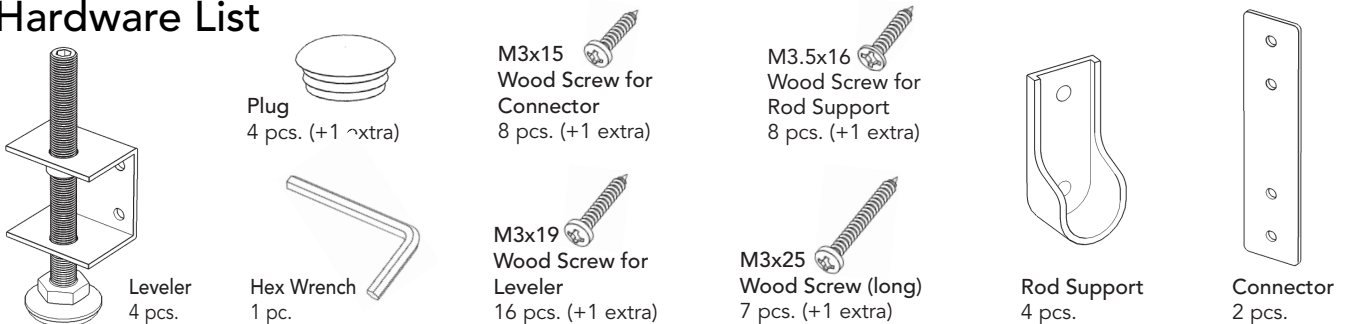
Carefully and strictly follow these assembly instructions to ensure a completed product as designed.

Do not use power tools above 8 volts to assemble.

## Part List



## Hardware List



Carton 88 5531 771 is also needed for assembly.

Tool(s) required for assembly: Phillips screwdriver, Level, Drill (8 volts or less), 3/8" Drill Bit

Home Styles Customer Service: [www.homestyles-furniture.com](http://www.homestyles-furniture.com),  
[servicedesk@homestyles-furniture.com](mailto:servicedesk@homestyles-furniture.com), 888-680-7460, 877-831-0319

# Assembly Instructions 2/8

## IMPORTANT

- Use a soft cloth between these parts and the floor.
- Do not use power tools above 8 volts to assemble.
- Do not tighten all the bolts until each part is properly assembled.
- The unit must be level to work properly. Use the included adjustable levelers to level.
- Keep Hex Wrench in a safe place as the bolts may need to be tightened up in the future.

## STEP 1

Attach Rod Supports to Side Panels (C), (D), (K) and (L) with Wood Screws for Rod Support. (See Figure 1)

Wood Screw for Rod Support

Rod Support

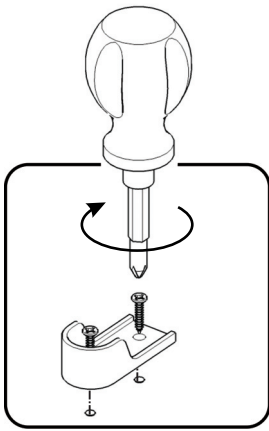
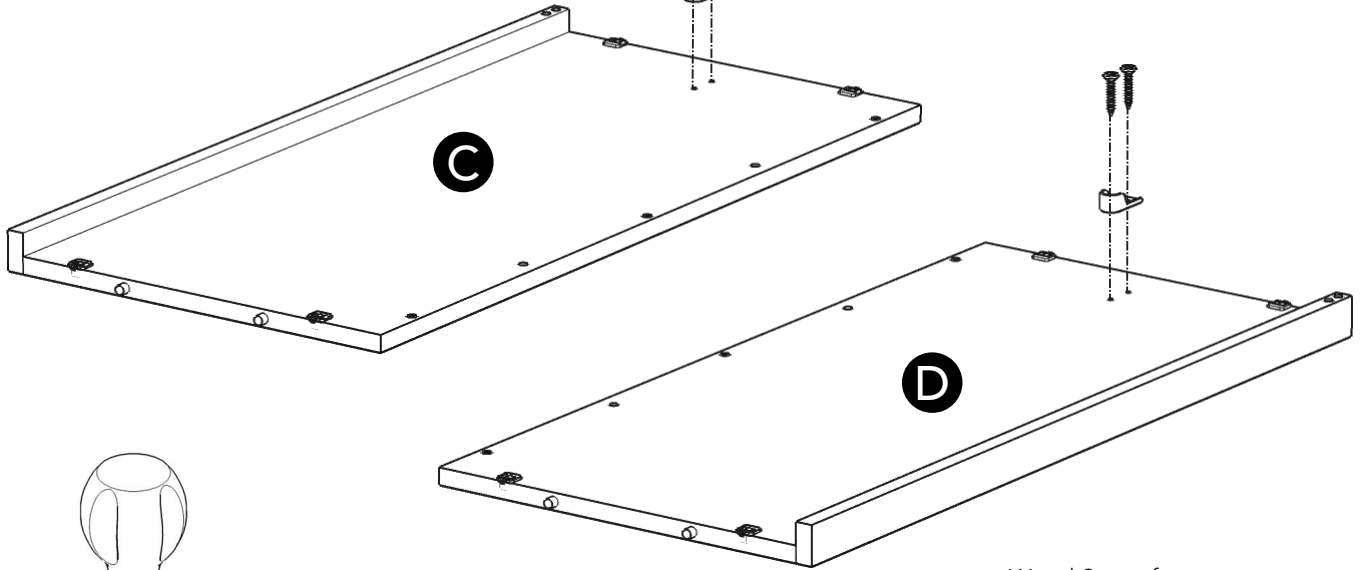
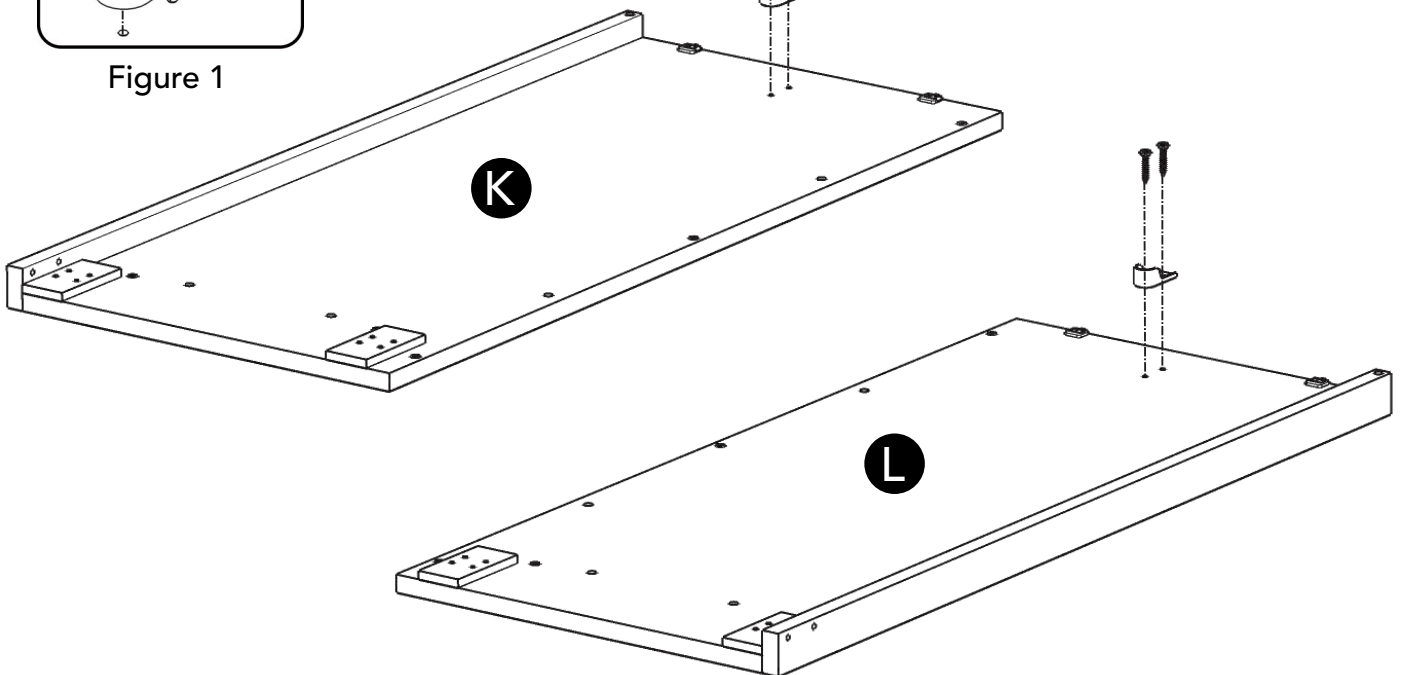


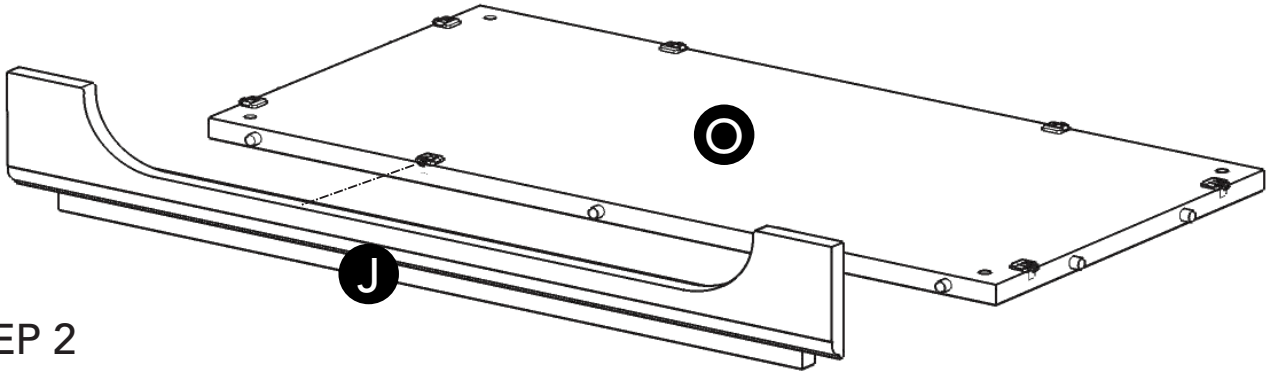
Figure 1

Wood Screw for Rod Support

Rod Support



## Assembly Instructions 3/8



### STEP 2

Attach Plinth (J) to Bottom (O), then flip the locks. (See Figure 2)

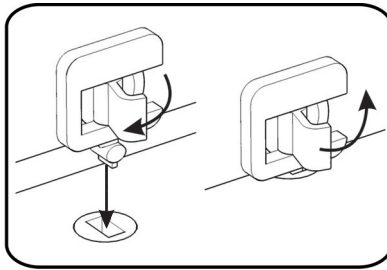
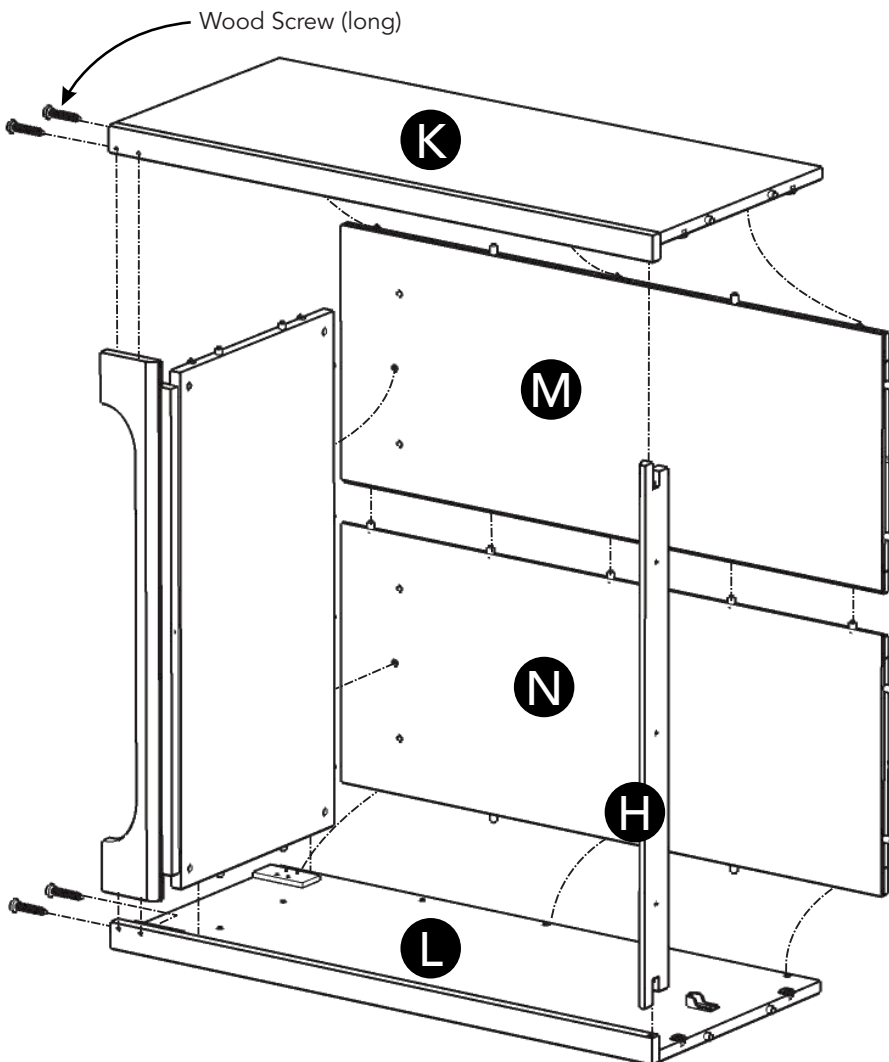


Figure 2



### STEP 3

Attach unit to Side Panel (L) with Wood Screws (long), then flip the locks.

Attach Back Panels (N) and (M) to unit, then flip the locks.

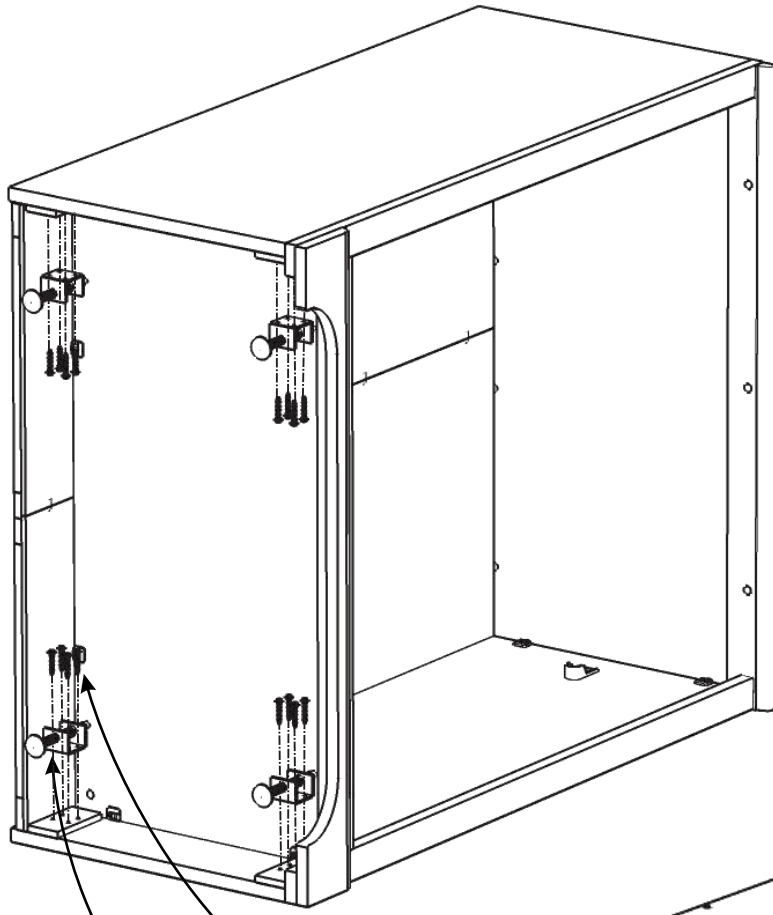
Attach Front Rail (H) to unit.

Attach Side Panel (K) to unit with Wood Screws (long), then flip the locks.

# Assembly Instructions 4/8

## STEP 4

Attach Levelers to bottom of unit with Wood Screws for Levelers. (See Figure 3)



Wood Screw for Leveler

Leveler

Wood Screw (long)

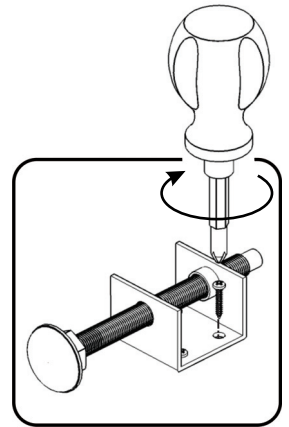
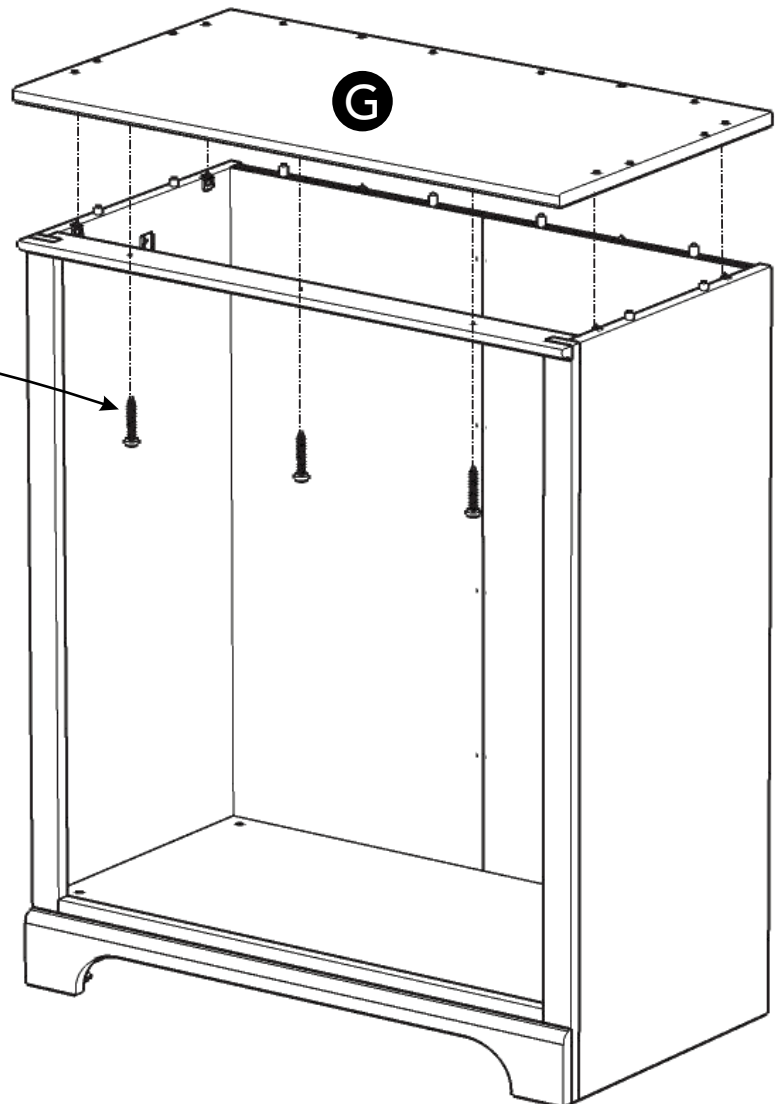


Figure 3

## STEP 5

Attach Top (G) to unit with Wood Screws (long), then flip the locks.



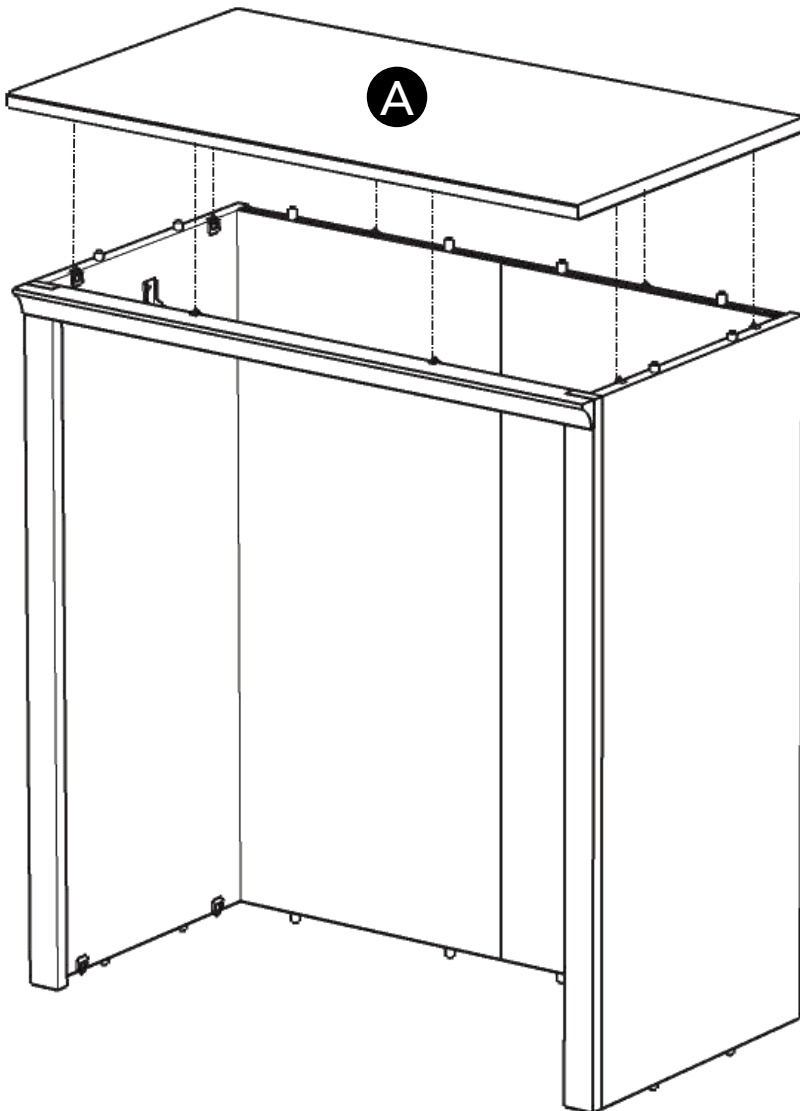
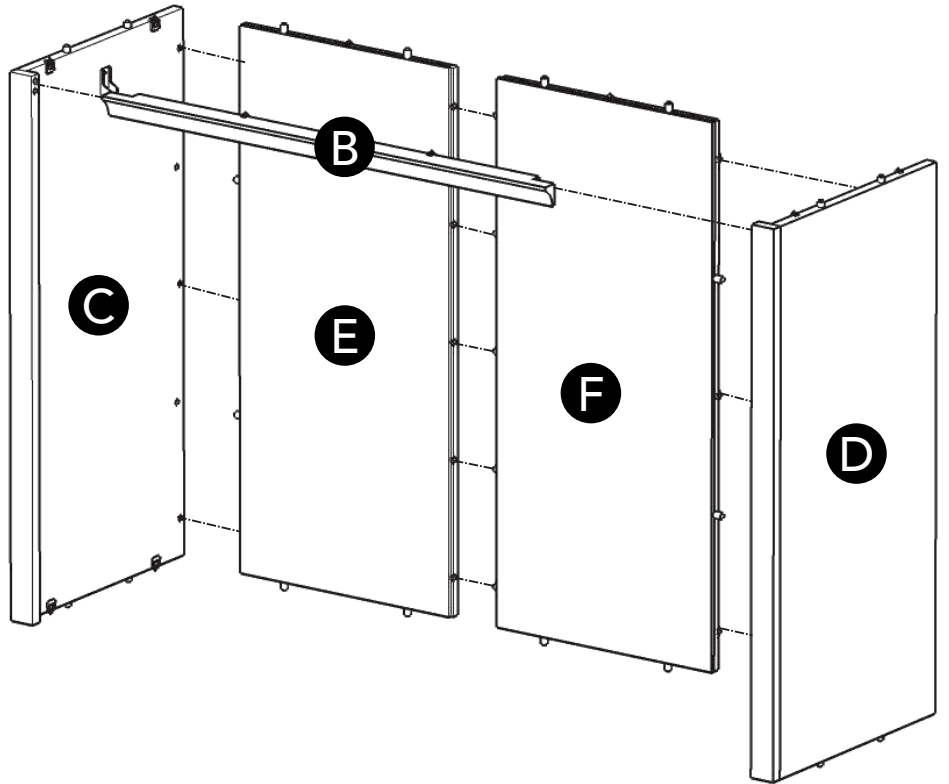
## Assembly Instructions 5/8

### STEP 6

Attach Back Panels (F) and (E) to Side Panel (D), then flip the locks.

Attach Front Rail (B) to Side Panel (D).

Attach Side Panel (C) to unit, then flip the locks.



### STEP 7

Attach Top (A) to unit, then flip the locks.

**STEP 8**

Place top unit onto base unit, then flip the locks.

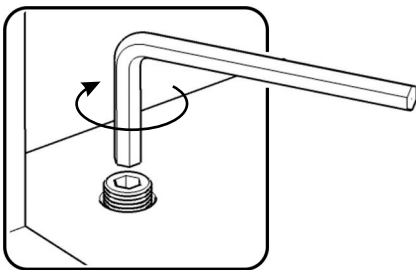
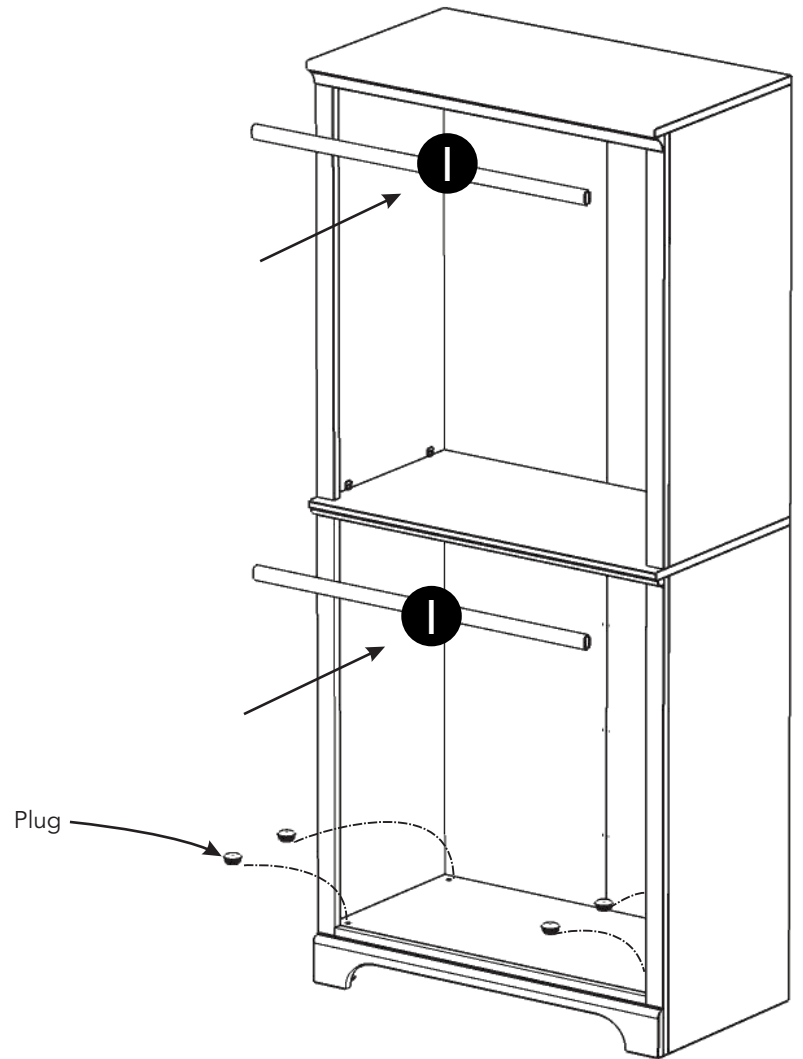
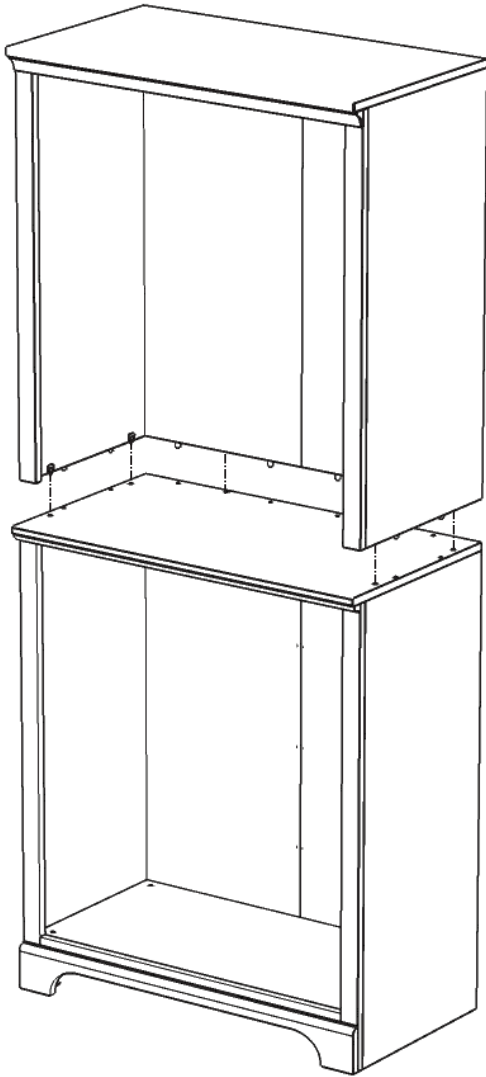


Figure 4

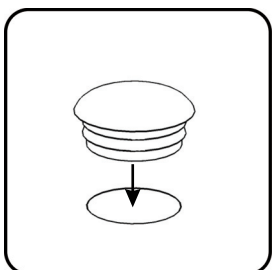


Figure 5

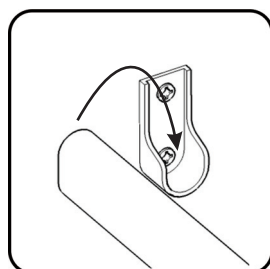


Figure 6

**STEP 9**

Place unit at desired location.

Note: If assembling multiple Closet Wall Units together, place all units at desired location.

Level the unit(s) by adjusting the adjustable levelers on the bottom of unit(s). (See Figure 4)

Note: Unit(s) must be level to proceed.

Cover all holes with Plugs. (See Figure 5)

Place Rod (I) into position. (See Figure 6)

# Assembly Instructions 7/8

## IMPORTANT

- To help reduce the risk of the unit tipping over, the Tipover Restraint must be installed following these instructions exactly.

## STEP 10

Drill a 3/8" hole in wall in-line with the pre-drilled hole at top of unit.

Move unit.

Insert Anchor into the wall hole and attach Bracket with Wall Screw.

Attach Bracket at pre-drilled hole at top of unit with Wood Screw.

Move unit back into place.

If assembling multiple Closet Wall Units together, go to and complete Step 11 now, then return to and complete Step 10.

Slide Tipover Restraint through Bracket on wall and Bracket on unit. (See Figure 7)

Put tie end of Tipover Restraint into lock end of Tipover Restraint and pull until tight.

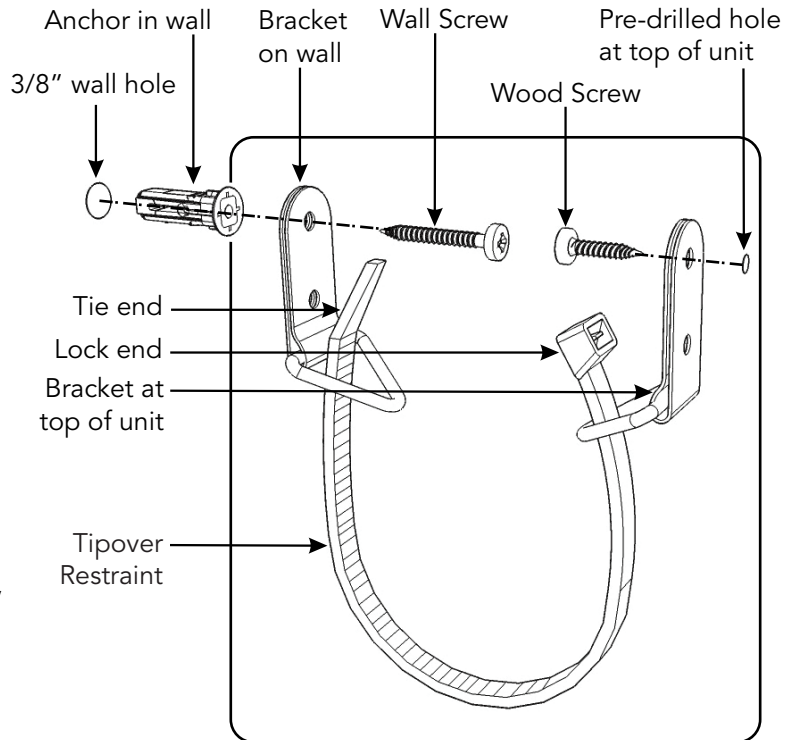
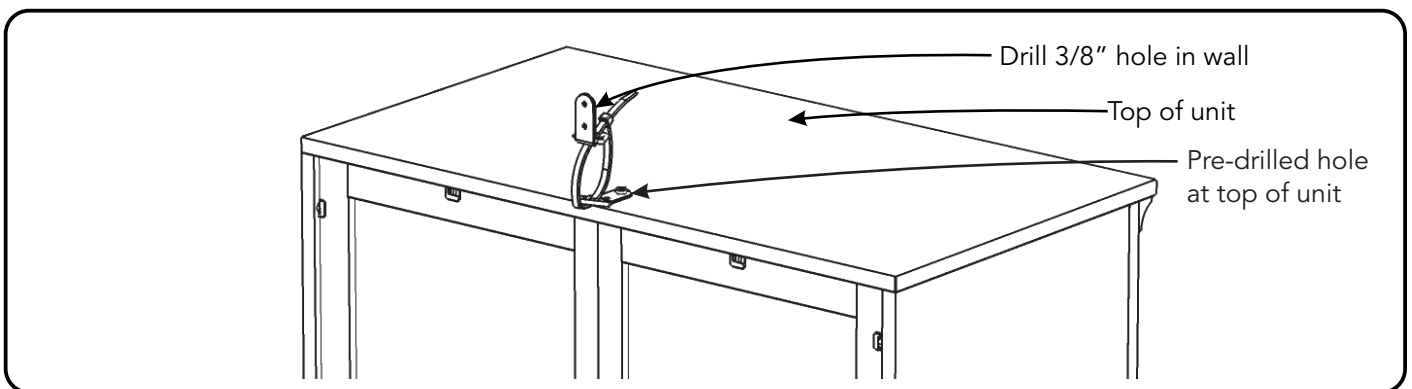
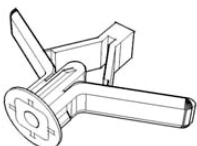


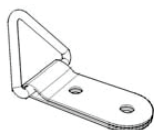
Figure 7



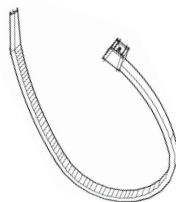
## Hardware List



Anchor  
1 pc. (+1 extra)



Bracket  
2 pcs. (+1 extra)



Tipover Restraint  
1 pc. (+1 extra)

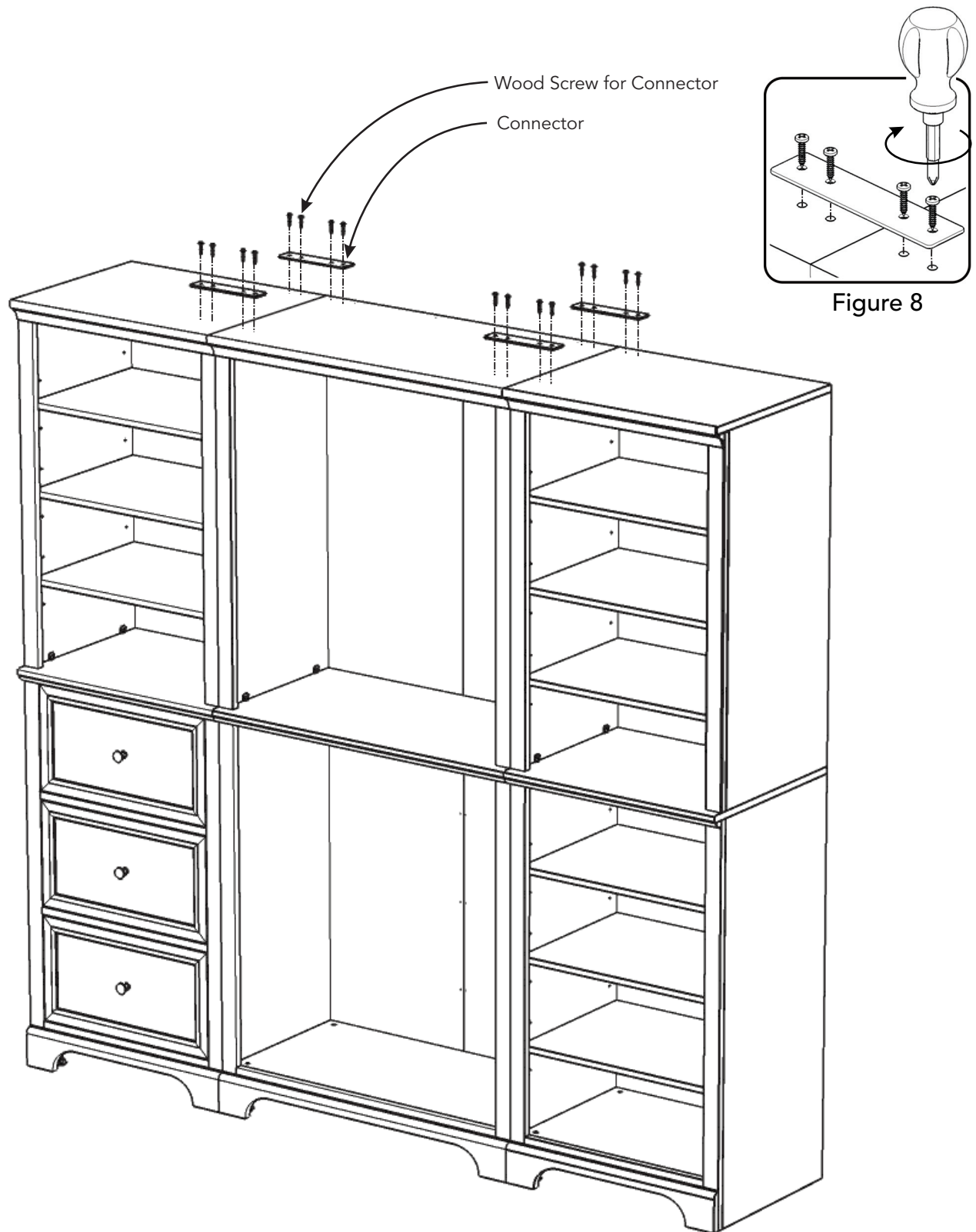


M3.5x40  
Wall Screw  
1 pc. (+1 extra)



M3.5x16  
Wood Screw  
1 pc. (+1 extra)

## Assembly Instructions 8/8



### STEP 11

Note: If assembling multiple Closet Wall Units together, complete Step 11.

Attach the top of units together using Connector and Wood Screw for Connectors into the pre-drilled holes. (See Figure 8)

Return to and complete Step 10.



# CARE INSTRUCTIONS

## NEVER

allow liquids to remain on furniture.  
Absorption causes parts to warp  
and split and finishes to delaminate.

## NEVER

use glass cleaners on  
finished furniture. Ammonia  
chemically attacks the finish.



Do not use power tools  
above 8 volts to assemble.  
**PREVENT  
CRACKING**



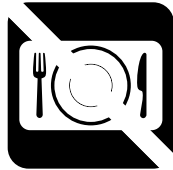
Do not place  
in direct sunlight.  
**PREVENT  
FADING**



Do not write  
directly on surface.  
**PREVENT  
MARKING**



Do not place hot  
objects on surface.  
**PREVENT  
FINISH DAMAGE**



Do not use rubber  
based placemats.  
**PREVENT  
DISCOLORING**



Do not use commercial  
waxes and polishes.  
**PREVENT  
YELLOWING**

## CLEAN

with a soft cloth moistened  
in lukewarm soap and water.  
Buff with a dry clean cloth.



Home Styles will provide replacements free of charge for missing or damaged hardware or parts within 30 days of purchase. Digital images of the defective parts may be required. If the product was not purchased from an authorized retail affiliate, Home Styles is under no obligation to provide replacement parts. Parts are not available for fully assembled items nor are parts available for sale. Replacements for missing or damaged hardware or parts may be requested at:

[www.homestyles-furniture.com/customer-service/replacement-parts](http://www.homestyles-furniture.com/customer-service/replacement-parts)

Home Styles Customer Service: [www.homestyles-furniture.com](http://www.homestyles-furniture.com),  
[servicedesk@homestyles-furniture.com](mailto:servicedesk@homestyles-furniture.com), 888-680-7460, 877-831-0319