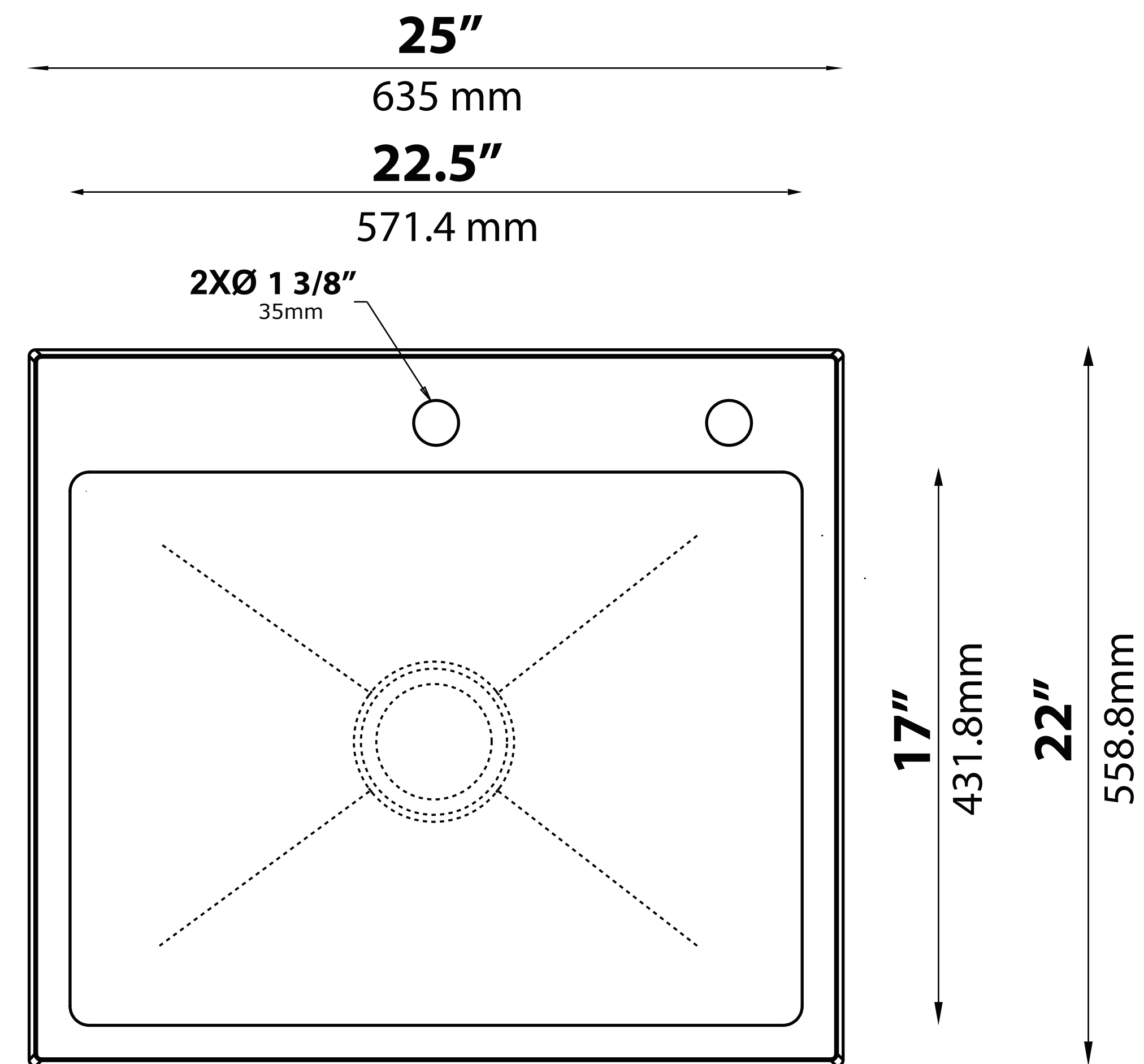


Kräus[®]
www.kraususa.com

**Model No.
KHT6N1-25**

Top Mount Cut-out

Pro Hotline: 516.801.8955
Customer Service: 800.775.0703



NOTES:

- 1.The "N" in the Model Number refers to the drain location.
- 2.Cutout template is provided as a guide **ONLY** and must be checked against actual sink to verify correct fit.

Dotted line size: 571*431.5*R15 mm 350g art paper 350 克铜版纸

Kräus[®]
www.kraususa.com

**Model No.
KHT6N1-25**

Undermount Cut-out

Pro Hotline: 516.801.8955
Customer Service: 800.775.0703

← Please cut along outer solid line
for zero / flushed reveal

← Please cut along inner solid line
for Negative reveal 1/8"

NOTES:

- 1.The "N" in the Model Number refers to the drain location.
- 2.Cutout template is provided as a guide **ONLY** and must be checked against actual sink to verify correct fit.

