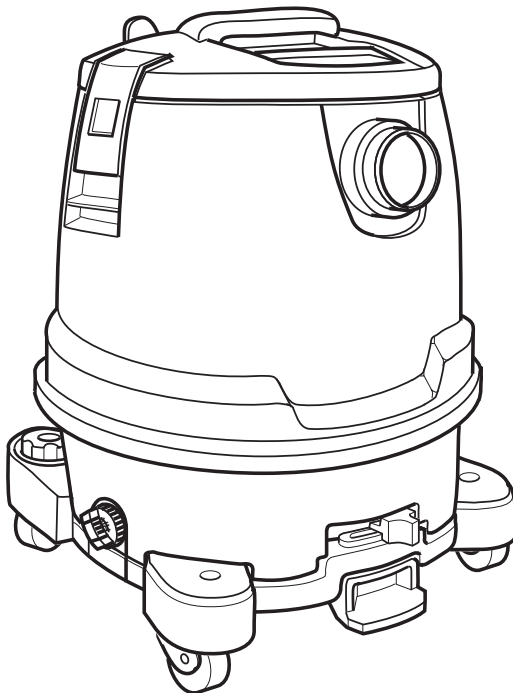


OWNER'S MANUAL

12 U.S. GALLON/45 LITER PROFESSIONAL WET/DRY VAC

1250RV0



FOR QUESTIONS OR INFORMATION CONTACT US AT
1-800-4-RIDGID (1-800-474-3443) from the US and Canada
01-800-701-9811 from Mexico
www.ridgidvacs.com

⚠ WARNING:

To reduce the risk of injury, the user must read and understand the owner's manual before using this product.

Thank you for buying a RIDGID product.

- Español - página 21
- Français - page 41

SAVE THIS MANUAL FOR FUTURE REFERENCE



Table of Contents

Section	Page	Section	Page
Introduction	4	Blowing Feature	13
Unpacking and Checking Carton Contents ..	4	Accessory and Hose Storage	14
Tools Required	4	Accessory Storage	14
Carton Contents List	4	Hose Storage	14
Vacuum Assembly	5	Cord Wrap Storage	14
Vac Drum Removal/Installation	7	Maintenance	15
Operation	10	Repair Parts	18
Vacuuming Dry Materials	11	Servicing of Double Insulated	
Vacuuming Liquids	12	Wet/Dry Vacs	18
Emptying the Drum	12	Warranty	20
Moving the Wet/Dry Vac	12		

IMPORTANT SAFETY INSTRUCTIONS

Safety is a combination of using common sense, staying alert, and knowing how your Wet/Dry vacuum cleaner (“Vac”) works.

Safety Signal Words

▲ DANGER: Indicates a hazardous situation which, if not avoided, **will** result in death or serious injury.

▲ WARNING: Indicates a hazardous situation which, if not avoided, **could** result in death or serious injury.

▲ CAUTION: Indicates a hazardous situation which, if not avoided, **could** result in minor or moderate injury.

When using your Vac, always follow basic safety precautions including the following:

▲ WARNING

- To reduce the risk of fire, electric shock, or injury:

- Read and understand this manual and all labels on the Vac before operating.
- Use only as described in this manual.
- Do not leave Vac running while unattended - you may fail to notice important signs indicating abnormal operation such as loss of suction, debris/liquid exiting exhaust, or abnormal motor noises. Immediately stop using Vac if you notice these signs.
- Do not leave Vac when plugged in. Unplug from outlet when not in use and before servicing.
- Electric shock hazard - do not place and operate vacuum in standing water.

- Sparks inside the motor can ignite flammable vapors or dust. To reduce the risk of fire or explosion, do not use near combustible liquids, gases, or dusts, such as gasoline or other fuels, lighter fluid, cleaners, oil-based paints, natural gas, coal dust, magnesium dust, grain dust, aluminum dust, or gun powder.
- Do not vacuum anything that is burning or smoking, such as cigarettes, matches, or hot ashes.
- Do not vacuum drywall dust, cold fireplace ash, or other fine dusts with standard filter. These may pass through the filter and be exhausted back into the air. Use a fine dust filter instead.
- To reduce the risk of inhaling toxic vapors, do not vacuum or use near toxic or hazardous materials.
- To reduce the risk of electric shock, do not expose to rain or allow liquid to enter motor compartment. Store indoors.
- This Wet/Dry Vac is not intended for use by persons (including children) with reduced physical, sensory, or mental capabilities, or lack of experience and knowledge, unless they have been given supervision or instruction concerning use of the Vac by a person responsible for their safety.
- Do not allow to be used as a toy. Close attention is necessary when used by or near children.
- Do not use with a torn filter or without filter installed except when vacuuming liquids as described in this manual. Dry debris ingested by the impeller may damage the motor or be exhausted into the air.



- Turn off Vac before unplugging.
- To reduce the risk of injury from accidental starting, unplug power cord before changing or cleaning filter.
- Do not unplug by pulling on cord. To unplug, grasp the plug, not the cord.
- Do not use with damaged cord, plug or other parts. If your Vac is not working as it should, has missing parts, has been dropped, damaged, left outdoors, or dropped into water, call customer service.
- Do not pull or carry by cord, use cord as handle, close a door on cord, or pull cord around sharp edges or corners. Do not run Vac over cord. Keep cord away from heated surfaces.
- Do not handle plug, switch, or the Vac with wet hands.
- Do not use an extension cord with this Vac.
- This Vac is double-insulated, eliminating the need for a separate grounding system. Use only identical replacement parts. Read the instructions for Servicing Double-Insulated Wet/Dry Vacs.
- Do not put any object into ventilation openings. Do not vacuum with any ventilation openings blocked; keep free of dust, lint, hair or anything that may reduce air flow.
- Keep hair, loose clothing, fingers, and all parts of body away from openings and moving parts.
- To reduce the risk of falls, use extra care when cleaning on stairs.
- To reduce the risk of back injury or falls, do not lift a Vac that is heavy with liquid or debris. Partially empty by scooping debris or draining liquid.
- To reduce the risk of personal injury or damage to Vac, use only Ridgid recommended accessories.
- When using as a blower:
 - Direct air discharge only at work area.
 - Do not direct air at bystanders.
 - Keep children away when blowing.
- Do not use blower for any job except blowing dirt and debris.
- Do not use as a sprayer.
- To reduce the risk of eye injury, wear safety eyewear. The operation of any utility Vac or blower can result in foreign objects being blown into the eyes, which can result in severe eye damage.

▲ CAUTION:

- To reduce the risk of hearing damage, wear ear protectors when using for extended time or in a noisy area.
- For dusty operations, wear dust mask.
- Static shocks are common when the relative humidity of the air is low. Vacuuming fine debris with your Vac can deposit static charge on the hose or Vac. To reduce the frequency of static shocks in your home or when using this Vac, add moisture to the air with a humidifier.

Observe the following warnings that appear on the motor housing of your Vac:

 **DOUBLE INSULATED
GROUNDING NOT REQUIRED.
WHEN SERVICING USE ONLY
IDENTICAL REPLACEMENT PARTS.**

▲ WARNING: For your own safety, read and understand owner's manual. Do not run unattended. Do not pick up hot ashes, coals, toxic, flammable or other hazardous materials. Do not use around explosive liquids or vapors.

▲ WARNING: Electric shock hazard - do not place and operate vacuum in standing water.

▲ WARNING: To reduce the risk of electric shock - do not expose to rain - store indoors.

▲ WARNING: To reduce the risk of electric shock, do not remove, modify, or immerse this plug. Test before each use.

SAVE THIS MANUAL

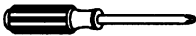
Introduction

This Wet/Dry Vac is intended for household use. It may be used for vacuuming wet or dry media and may be used as a blower.

Read this owner's manual to familiarize yourself with the product features and to understand the specific usage of your new Vac.

Unpacking and Checking Carton Contents

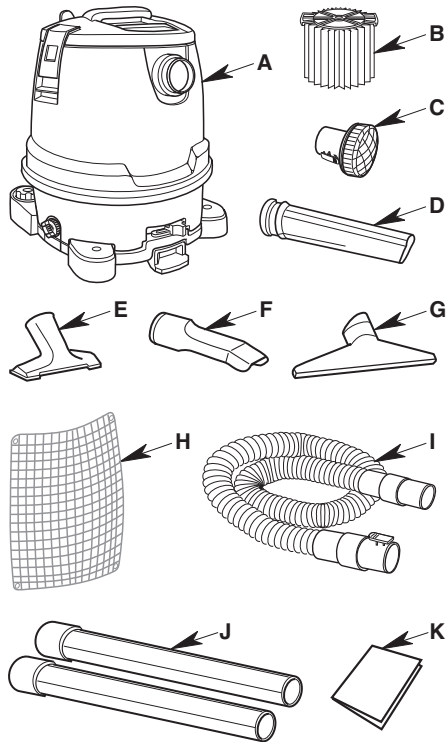
Tools Required



Phillips Screwdriver

Remove contents of carton. Check each item against the Carton Contents List. Call 1-800-4-RIDGID (1-800-474-3443) from the US and Canada, 01-800-701-9811 from Mexico, or E-mail us at info@ridgid.com if any parts are damaged or missing.

Refer to the assembly sketch for positioning of parts.



Carton Contents List

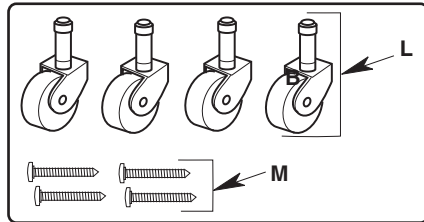
Key	Description	Qty
A	Wet/Dry Vac Assembly	1
B*	Qwik Lock™ Filter.....	1
C	Muffler/Diffuser.....	1
D	Crevice Tool	1
E	Utility Nozzle	1
F	Car Nozzle	1
G	Wet Nozzle.....	1
H	Accessory Holder.....	1
I	Premium Locking Hose.....	1
J	Extension Wands	2
K	Owner's Manual.....	1

* The filter comes preassembled.

Unpacking and Checking Carton Contents (Continued)

Bag of Loose Parts -
Containing the Following:

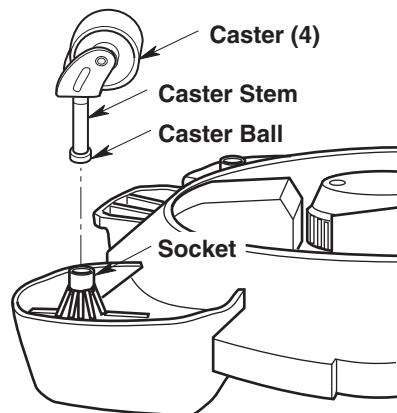
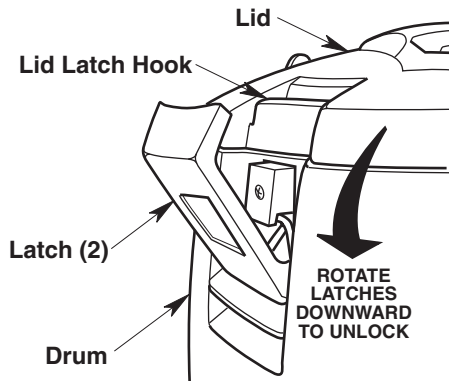
Key	Description	Qty
L	2" Casters.....	4
M	Screws, Type AB #10 x 3/4.....	4



Vacuum Assembly

Installing Casters

1. Remove lid from the drum/caddy by unlatching the two latches at the top of the Vac.
2. Turn drum upside down to expose the bottom of the drum/caddy for caster assembly.
3. Insert the caster stem into the socket of the power base as shown.
4. Push on the caster until the ball on the caster stem is inserted all the way into the socket. You will be able to hear the ball snap into the socket and the caster will swivel easily when positioning is correct.
5. Repeat steps 3 and 4 for the three remaining casters.
6. Rotate drum/caddy upright and reinstall the lid.

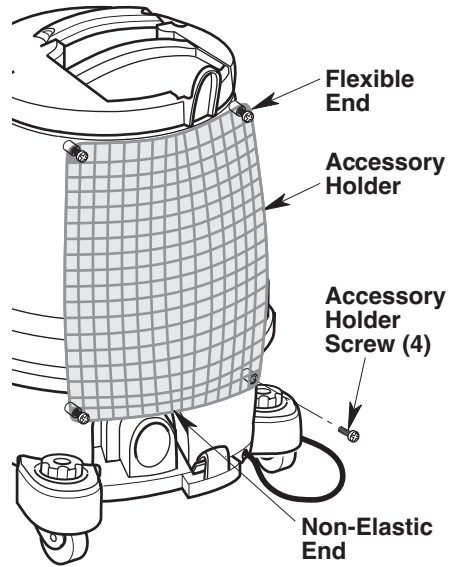


Vacuum Assembly (Continued)

Installing Accessory Holder

1. Attach the flexible end of the accessory holder at the top of the Vac drum. The non-elastic end should be located at the bottom of the Vac drum.
2. Install accessory holder as shown with the 4 screws included.
3. Tighten screws so that there is a small clearance between the screw head and the grommet on the accessory holder.

Note: Leave a clearance between the screw head and grommet. If no clearance, the accessory holder will twist with the screws.

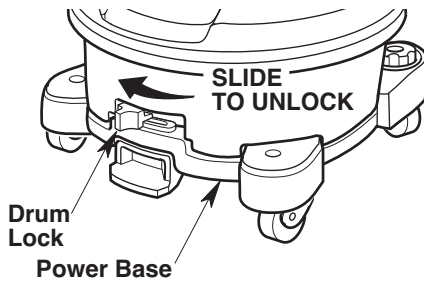


Vac Drum Removal/Installation

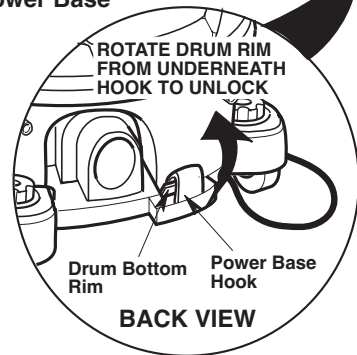
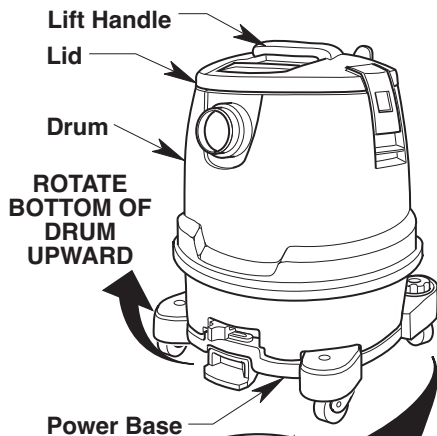
Removal

1. Remove the drum from the power base caddy by first sliding the drum lock from the right to the left.

This lock is located on the front of the unit just above the power switch, between the lower portion of the drum and the power base.

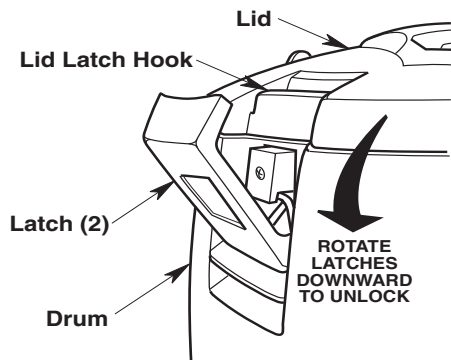


2. Lift up on the drum, using the lift handle found on the lid of the drum. Allowing the front of the drum to come up first will cause the drum to smoothly and properly disengage from the power base.



3. With the drum sitting on the ground, pull up on the lid latch handles found on the left and right side of the drum. Rotate the latches away from the lid.
4. Remove the lid from the drum assembly and place it in a safe location.

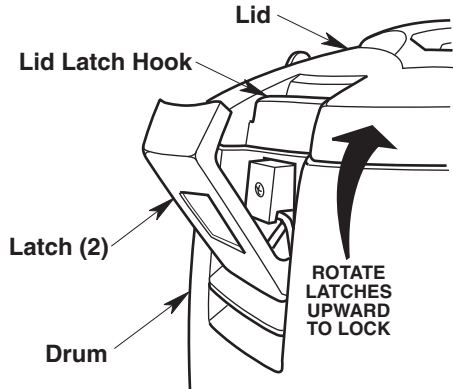
Note: The filter has remained in the drum and will remain there throughout the emptying process keeping the collected debris confined to the drum.



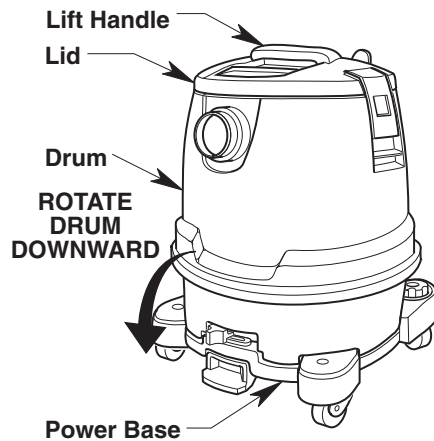
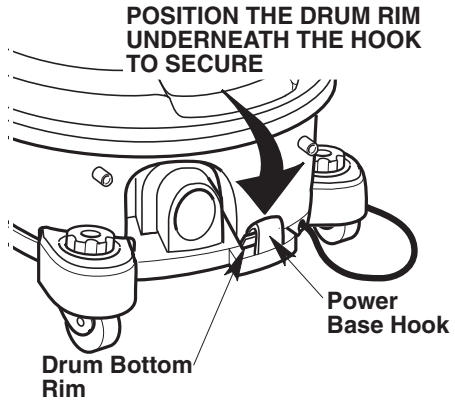
Vac Drum Removal/Installation (Continued)

Installation

1. Position the lid on the drum/caddy assembly as shown.
2. Rotate both latches up onto the lid latch hooks
3. Press the latches down and inward until latches are flush with the drum.



4. Using the lift handle, slide the drum onto the power base caddy, engaging the power base hook with the back of the drum.

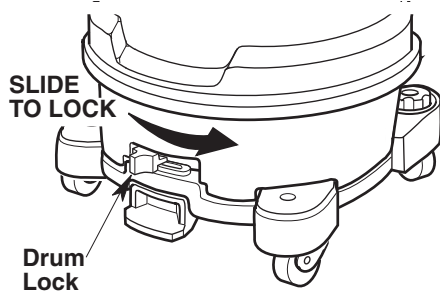




Vac Drum Removal/Installation (Continued)

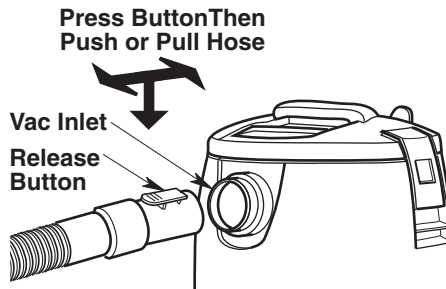
5. Lower the front of the drum onto the power base caddy and slide drum lock lever left to right to locked position to secure.

Note: This will allow the drum and power base to create and maintain the proper seal once the drum lock on the front has been moved to the locked position. If the drum has not been seated properly on the power base, this lock will not engage properly and the power switch may not operate. This lock is located on the front of the unit just above the power switch, between the lower portion of the drum and the power base.



Insert Hose

1. Insert the push button end of the Tug-A-Long Hose into the inlet of the Vac. The hose should snap into place.
2. To remove the hose from the Vac, press the release button in the hose assembly and pull the hose out of the Vac inlet, as shown.



Operation

▲ WARNING: To reduce the risk of fire, explosion, or damage to Vac:

- Do not leave Vac running while unattended - you may fail to notice important signs indicating abnormal operation such as loss of suction, debris/liquid exiting the exhaust, or abnormal motor noises. Immediately stop using Vac if you notice these signs.
- Do not leave Vac plugged in when not in use.
- Do not continue running when float has cut off suction.
- Sparks inside the motor can ignite airborne flammables. Do not operate Vac near flammable liquids or in areas with flammable gases, vapors, or explosive/airborne dust. Flammable liquids, gases, and vapors include: lighter fluid, solvent-type cleaners, oil-based paints, gasoline, alcohol, and aerosol sprays. Explosive dusts include: coal, magnesium, aluminum, grain, and gun powder.
- Do not vacuum up explosive dusts, flammable liquids, or hot ashes.

▲ WARNING: To reduce the risk of electric shock or injury:

- Do not expose to rain or allow liquid to enter motor compartment. Store indoors.
- Do not handle plug, switch, or Vac with wet hands.
- Unplug Vac before servicing. If your Vac is not working as it should, has missing parts, has been dropped, damaged, left outdoors, or dropped into water, return it to an independent service center or call customer service.
- Do not use an extension cord with this vacuum.

Familiarize yourself with the accessories included with the Vac. Each accessory may be used in various ways for vacuuming and blowing debris. Here is a list of the accessories and their uses.

Wet Nozzle - Used for wet pickup on smooth surfaces to pick up liquid and dry the surface in one stroke.

Crevice Tool - Use to pick up debris in hard to reach locations.

Utility Nozzle - General purpose nozzle for most vacuuming applications.

Car Nozzle - Dry pickup nozzle for car interiors and most upholstery cleaning.

Muffler/Diffuser - Use to disperse exhaust air stream while reducing noise. Insert into blowing port.

Extension Wands - These wands can be connected together and provides additional length for more reach.

Hose - Provides transfer of vacuum or blowing capability to work site. Provides the means of attaching extension wands and nozzles.

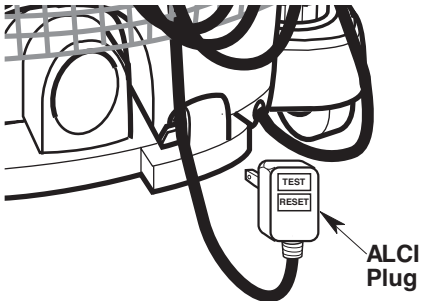
Operation (Continued)

To reduce the risk of electric shock, this Vac has an ALCI (Appliance Leakage Current Interrupter) device with a polarized plug (one blade is wider than the other). The ALCI may need to be reset if it detects current leakage or if the test button is pressed on the device.

The polarized plug will fit in a polarized outlet only one way. If the plug does not fit fully in the outlet, reverse the plug. If it still does not fit, contact a qualified electrician to install the proper outlet. Do not change the plug in any way.

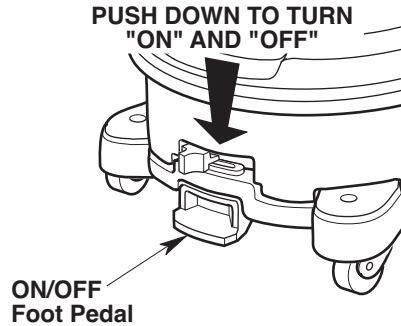
Note that the ALCI is a protective device that may make the Vac temporarily inoperable under some abnormal conditions such as immersing the base of the Vac in water. Before any use of the Vac involving wet pickup, or if the base has previously been placed in standing water or on a wet floor, the ALCI should be tested as follows:

1. With the ALCI plugged in, press the test button.
2. The reset button will pop up. If not, do not use Wet/Dry Vac.
3. Press reset button to restore power.



▲ WARNING: Electric shock hazard - do not place and operate vacuum in standing water.

After you plug the ALCI plug into the outlet, turn the Wet/Dry Vac on by pushing the foot pedal down, located at the front bottom of drum/caddy base.



Vacuuming Dry Materials

1. The filter must always be in correct position to reduce the risk of leaks and possible damage to Vac.
2. Your Wet/Dry Vac comes with the VF5000 Filter installed. When using your Vac to pick up very fine dust, it will be necessary for you to empty the drum and clean the filter at more frequent intervals to maintain peak Vac performance.

NOTE: A dry filter is necessary to pick up dry material. It is not recommended to vacuum dust when the filter is wet, the filter will clog quickly and be difficult to clean. Allow filter to dry before storing.

Operation (Continued)

Vacuating Liquids

1. When picking up small amounts of liquid (2-4 inches of liquid in the bottom of the drum) the filter may be left in place.
2. When picking up larger amounts of liquid (more than 4" of liquid in the bottom of the drum) we recommend that the filter be removed. If the filter is not removed, it will become saturated and misting may appear in the exhaust.
3. After using the Vac to pick up liquids, the filter must be dried to reduce the risk of possible mildew and damage to the filter.
4. When the liquid in the drum reaches a predetermined level, the float mechanism will rise automatically to cut off air-flow. When this happens, turn off the Vac, unplug the power cord, and empty the drum. You will know that the float has risen because Vac airflow ceases and the motor noise will become higher in pitch, due to increased motor speed.
5. When vacuuming a large amount of liquid containing debris, it is recommended to use a wet application filter (VF7000) in place of the supplied pleated paper filter. The wet application filter will prevent this debris from entering the motor, thus protecting the motor from possible damage.

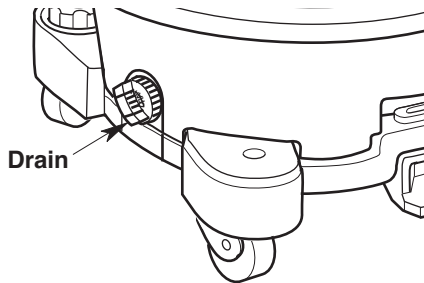
IMPORTANT: To reduce the risk of damage to the Vac, do not run motor with float in raised position.

▲ WARNING: Do not operate without filter cage and float, as they prevent liquid from entering the impeller and damaging the motor.

Emptying the Drum

▲ WARNING: To reduce the risk of back injury or falls, do not lift a Vac heavy with liquid or debris. Scoop or drain enough contents out to make the Vac light enough to lift comfortably.

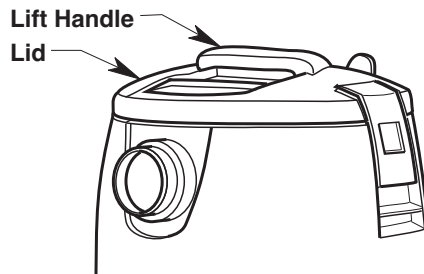
1. The Vac comes equipped with a drain for easy emptying of liquids. Simply unscrew the drain cap and lift the opposite side slightly to empty the drum.



2. Another option is to remove the drum assembly, from the power base in order to dispose of debris or liquids.
3. Follow the directions for drum removal on page 7.
4. Dump the drum contents into the proper waste disposal container.

Moving the Wet/Dry Vac

Should it become necessary to pick the Vac up to move it, the lift handle on the top of the lid is used to lift.

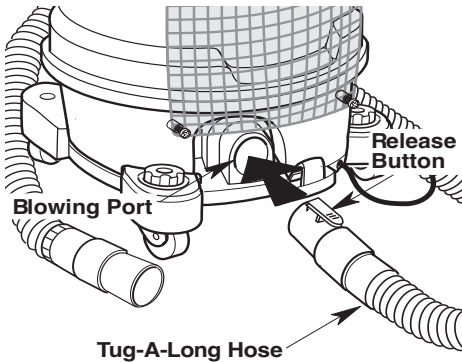


Operation (Continued)

Blowing Feature

Your Vac features a blowing port (located at the back of the Vac). It can blow sawdust and other debris. Follow the steps below to use your Vac as a blower.

1. Locate blowing port of your Vac.
2. Insert the locking end of the “Tug-A-Long Hose” into the blowing port of the Vac. The hose should snap into place.
3. Turn Vac on and you are ready to use your Vac as a blower.
4. To remove the hose from the Vac, press the release button on the hose assembly and pull the hose out of the Vac blowing port inlet.



⚠ WARNING: Always wear safety eyewear complying with ANSI Z87.1 (or in Canada, CSA Z94.3) before using as a blower.

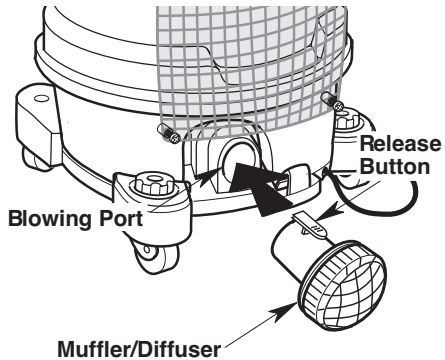
⚠ WARNING: To reduce the risk of injury to bystanders, keep them clear of blowing debris.

⚠ CAUTION: Wear a dust mask if blowing creates dust which might be inhaled.

⚠ CAUTION: To reduce the risk of hearing damage, wear ear protectors when using the Vac/Blower for extended time or in a noisy area.

⚠ WARNING: Do not leave vacuum plugged in when not in use.

Note: When used as a vacuum, the muffler/diffuser should be installed into the blower port as shown. Use of the muffler/diffuser will help disperse the exhaust air stream.

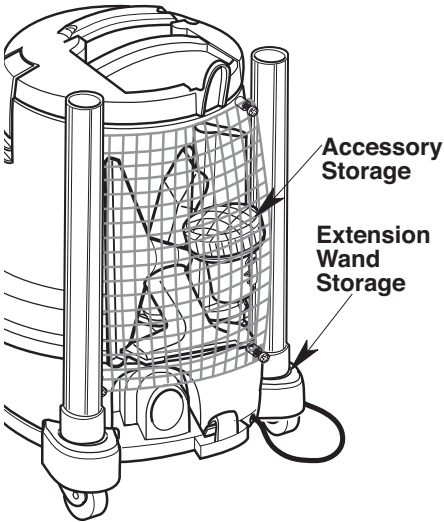


Accessory and Hose Storage

Accessory Storage

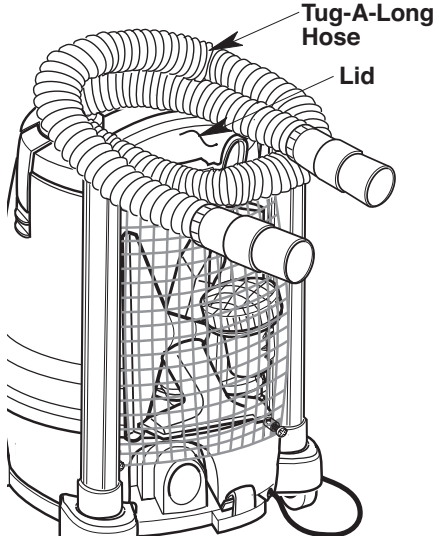
Your accessories may be stored in the accessory holder located on the rear of the drum, or in the foot storage on the power base caddy.

Place the extension wands into the two foot storage located on the back of the power base caddy.



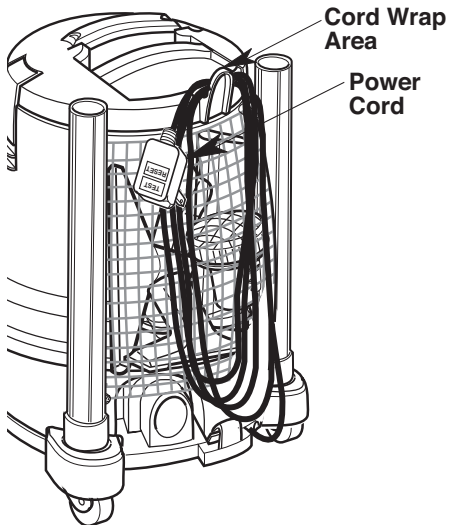
Hose Storage

The hose may be stored by wrapping it around the top of the Vac.



Cord Wrap Storage

When vacuuming is complete, unplug the cord and wrap it around the plastic cord storage area at the back of the Vac, as shown.



Maintenance

Filter

▲ WARNING: To reduce the risk of injury from accidental starting, unplug power cord before changing or cleaning filter.

1250RV Professional Wet/Dry Vac is supplied with RIDGID's Qwik Lock™ Fine Dust Filter. Replacement Qwik Lock™ Filters are available where you purchased your Vac. Ask for the RIDGID Qwik Lock™ Fine Dust Filter VF5000.

NOTE: The filter is made of high quality paper designed to stop very small particles of dust. The filter can be used for wet or dry pick up. Handle the filter carefully when removing to clean or installing it. Creases in the filter pleats may occur from installation but not affect the performance of the filter.

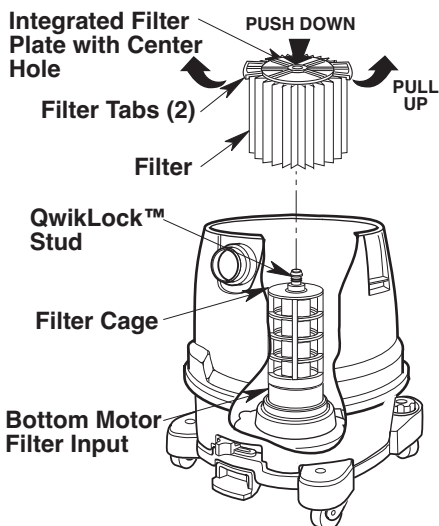
Filter Removal and Installation

Filter Removal:

1. Hold the filter tabs of the Qwik Lock™ filter in each hand.
2. With one thumb on the Qwik Lock™ stud, which protrudes through the integrated filter plate, lift up on the filter tabs while pushing down on the stud.
3. This action will cause the filter to release from the filter cage. Slide filter off cage.

Filter Installation:

1. Carefully slide the Qwik Lock™ filter over the filter cage and press down on the outside edge of the filter until the rubber gasket on the bottom of the filter seats securely around the base of the filter cage and against the bottom of the drum.



2. Align the small center hole in the top of the filter over the Qwik Lock™ stud on the filter cage. Press firmly on top of the filter near the stud to allow the filter to snap over the ball on the end of the stud. The filter is now attached.

NOTE: Failure to properly seat the bottom gasket could result in debris bypassing the filter.

IMPORTANT: To avoid damage to the blower wheel and motor, always reinstall the filter before using the Vac for dry material pick-up.

Cleaning a Dry Filter

NOTE: For best cleaning results due to accumulated dust, clean the filter in an open area. Cleaning SHOULD be done outdoors and not in the living quarters.

1. Remove filter from Vac. Gently tap filter against the inside wall of your dust drum. The debris will loosen and fall.
2. For thorough cleaning of dry filter with fine dust (no debris), run water through it as described under "Cleaning a Wet Filter".

Maintenance (Continued)

Cleaning a Wet Filter

After filter is removed, run water through the filter from a hose or spigot. Take care that water pressure is not strong enough to damage filter. Allow filter to dry out before re-installing in the vacuum.

IMPORTANT: After cleaning, check the filter for tears or small holes. Do not use a filter with holes or tears in it. Even a small hole can cause a lot of dust to come out of your Vac. If your filter is worn or damaged, replace it immediately.

Allow the filter to dry before reinstalling and storing the Vac.

Cleaning and Disinfecting the Wet/Dry Vac

To keep your Wet/Dry Vac looking its best, clean the outside with a cloth dampened with warm water and mild soap.

To clean the drum:

1. Dump debris out.
2. Wash drum thoroughly with warm water and mild soap.
3. Wipe out with dry cloth.

Before prolonged storage or as needed (i.e.; waste water pick up), the drum should be disinfected.

To disinfect the drum:

1. Pour 1 gallon of water and 1 teaspoon chlorine bleach into the drum.
2. Let solution stand for 20 minutes, carefully swishing every few minutes, making sure to wet all inside surfaces of the drum.
3. Empty drum after 20 minutes. Rinse with water until bleach smell is gone. Allow drum to dry completely before sealing the motor on the drum.

Cord Maintenance

When vacuuming is complete, unplug the cord and wrap it around the motor cover. If the power cord is damaged, it must be replaced by the manufacturer or their service agent or by similarly qualified personnel to reduce the risk of accident.

If the ALCI is preventing the vacuum from operating, then the Vac should be returned to a service center for examination and repair.

Storage

Before storing your Vac, the drum should be emptied and cleaned. The cord should be wrapped around the unit and the hose should be stored as described in this manual. Accessories should be kept in the same area as the Vac so they can be readily available. The Vac should be stored indoors.

Casters and Wheels

Should your cart squeak or become hard to roll, you should place two or three drops of general purpose oil on each wheel at the axle. If your casters are noisy, you may put a drop of oil on the roller shaft to make them quieter.

Frame and Handles

Your metal handle is painted to prevent rust, however, liquids and corrosive debris should be wiped off with a soft cloth should they come in contact with the handle.

⚠ WARNING: To assure product SAFETY and RELIABILITY, any other maintenance, repairs, or adjustments should be performed by Authorized Service Centers, always using RIDGID replacement parts.



Notes



Repair Parts

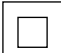
12 Gallon Professional Wet/Dry Vac Model Number 1250RV0

RIDGID parts are available on-line at www.ridgidparts.com

Always order by Part Number - Not by Key Number

WARNING

SERVICING OF DOUBLE-INSULATED WET/DRY VAC

In a double-insulated Wet/Dry Vac, two systems of insulation are provided instead of grounding. No grounding means is provided on a double-insulated appliance, nor should a means for grounding be added. Servicing a double-insulated Wet/Dry Vac requires extreme care and knowledge of the system, and should be done only by qualified service personnel. Replacement parts for a double-insulated Wet/Dry Vac must be identical to the parts they replace. Your double-insulated Wet/Dry Vac is marked with the words "DOUBLE INSULATED" and the symbol  (square within a square) may also be marked on the appliance.

To reduce the risk of injury from electrical shock, unplug power cord before servicing the electrical parts of the Wet/Dry Vac.

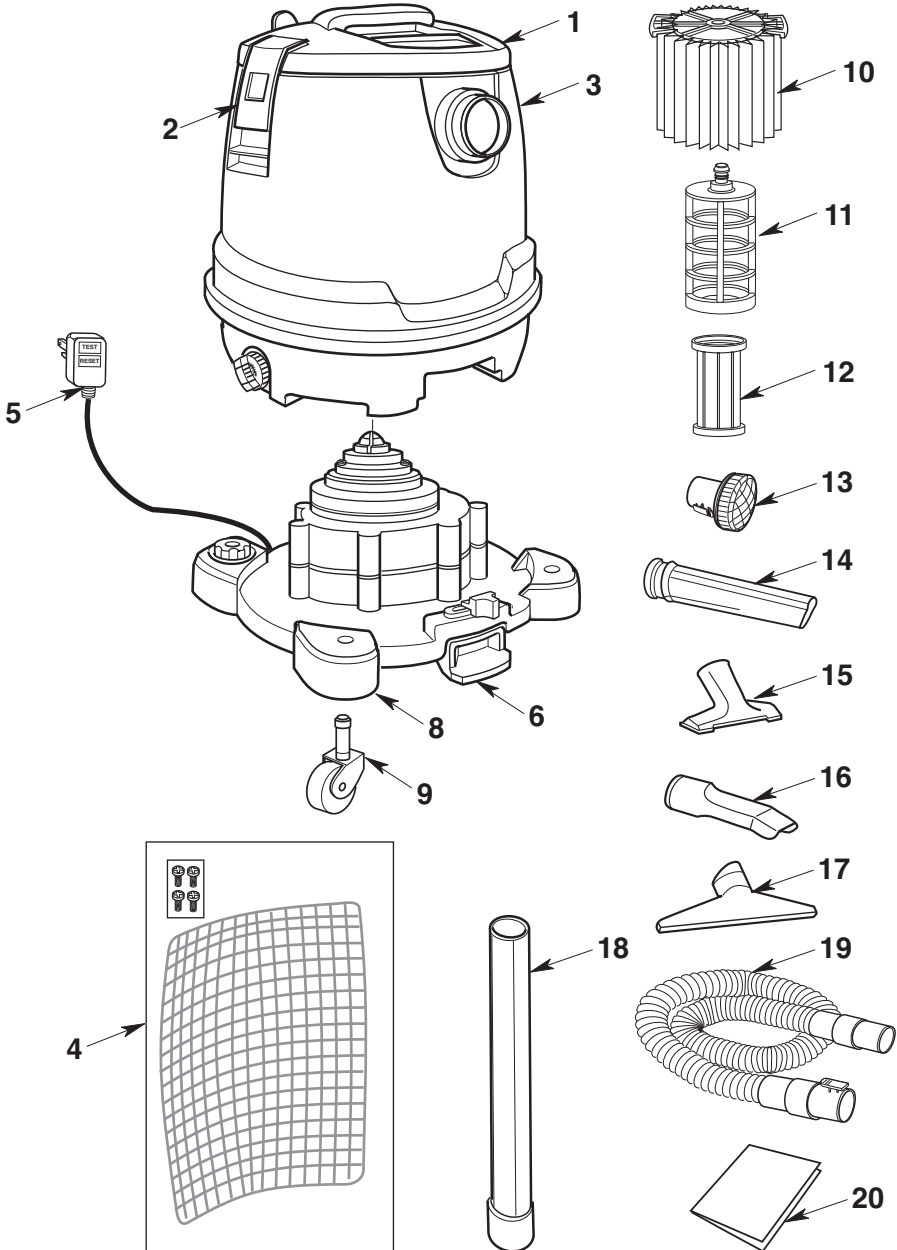
Key No.	Part No.	Description
1	510362	Lid Assembly (Includes carry handle)
2	510328	Drum Latch Assembly
3	510363	Drum Assembly Complete (Includes Latches, Inlet, Label and Drain Cap)
4	510364	Accessory Holder and Hardware
5	835951	ALCI Power Cord/Plug
6	835655-1	Actuator, Switch
7	835665	Electrical Switch (Not Shown)
8	510331	Power Base Assembly
9	73102	2" Caster (Single Caster)
10	VF5000	† Filter
11	835648	Filter Cage
12	510365	Float Tube Assembly
13	830675-2	† Muffler/Diffuser
14	VT2502	† Crevice Tool
15	VT2509	† Utility Nozzle
16	VT2503	† Car Nozzle
17	VT2510	† Wet Nozzle
18	VT2508	† Extension Wand
19	831337-9	Premium Locking Hose
20	SP6961	Owner's Manual

† These replacement parts may be available where you purchased your Vac.

Repair Parts (Continued)

12 Gallon Professional Wet/Dry Vac Model Number 1250RV0

RIDGID parts are available on-line at www.ridgidparts.com



RIDGID®



- **What is covered**

RIDGID® Wet/Dry Vac's are warranted to be free of defects in workmanship and material.

- **How long coverage lasts**

This warranty lasts for the lifetime of the RIDGID® Wet/Dry Vac.

- **How to obtain service**

To obtain the benefit of this warranty, deliver via prepaid transportation the complete product to RIDGE TOOL COMPANY, Elyria, Ohio, or any authorized RIDGID® INDEPENDENT SERVICE CENTER. Pipe wrenches and other hand tools should be returned to the place of purchase.

- **What we will do to correct problems**

Warranted Wet/Dry Vac's will be repaired or replaced, at Ridge Tool Company's option, and returned at no charge; or, if after three attempts to repair or replace during the warranty period the Wet/Dry Vac is still defective, you can elect to receive a full refund of your purchase price.

- **What is not covered**

Failures due to misuse, abuse or normal wear and tear are not covered by this warranty. **RIDGE TOOL COMPANY SHALL NOT BE RESPONSIBLE FOR ANY INCIDENTAL OR CONSEQUENTIAL DAMAGES.**

- **How local laws relate to the warranty**

Some states do not allow the exclusion or limitation of incidental or consequential damages, so the above limitation or exclusion may not apply to you. This warranty gives you specific rights, and you may also have other rights which vary from state to state, province to province, or country to country.

- **No other express warranty applies**

This FULL LIFETIME WARRANTY is the sole and exclusive warranty for RIDGID® Wet/Dry Vac's. No employee, agent, dealer, or other person is authorized to alter this warranty or make any other warranty on behalf of Ridge Tool Company.

Stock No. 1250RV

Model No. 1250RV0

Model and serial number may be found on the back of power base assembly. You should record both model and serial numbers in a safe place for future use.

**FOR QUESTIONS OR INFORMATION CONTACT US AT
1-800-4-RIDGID (1-800-474-3443) from the US and Canada
01-800-701-9811 from Mexico
www.ridgidvac.com**

Please have your Model Number and Serial Number on hand when calling.



EMERSON™

© 2015 Emerson

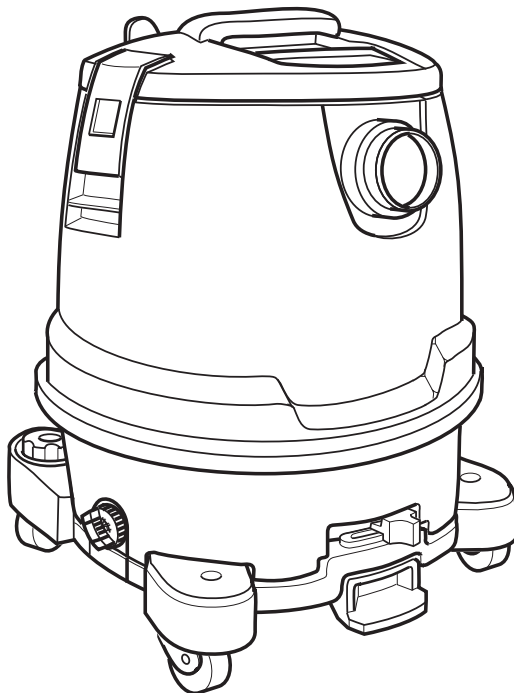
Commercial & Residential Solutions



MANUAL DEL USUARIO

ASPIRADORA PARA MOJADO/SECO PROFESIONAL DE 12 GALONES EE.UU./45 LITROS

1250RV0



**¿PREGUNTAS O COMENTARIOS? COMUNÍQUESE CON NOSOTROS EN
1-800-4-RIDGID (1-800-474-3443) desde los EE.UU. y Canadá
01-800-701-9811 desde México
www.ridgidvacs.com**

⚠ ADVERTENCIA:

Para reducir el riesgo de lesiones, el usuario debe leer y entender el manual del usuario antes de utilizar este producto.

Gracias por comprar un producto RIDGID.

• Français - page 41

GUARDE ESTE MANUAL PARA REFERENCIA FUTURA



Índice

Sección	Página	Sección	Página
Introducción	24	Dispositivo de soplado	33
Desempaquetado y comprobación del contenido de la caja de cartón	24	Almacenamiento de los accesorios y la manguera	34
Herramientas necesarias	24	Almacenamiento de accesorios	34
Lista del contenido de la caja de cartón	24	Almacenamiento de la manguera	34
Ensamblaje de la aspiradora	25	Almacenamiento del cordón en el área para enrollarlo	34
Remoción/instalación del tambor de la aspiradora	27	Mantenimiento	35
Funcionamiento	30	Piezas de repuesto	38
Recogida de materiales secos con la aspiradora	31	Servicio de ajustes y reparaciones de la aspiradora para mojado/seco con aislamiento doble	38
Recogida de líquidos con la aspiradora	32	Garantía	40
Vaciado del tambor	32		
Traslado de la aspiradora para mojado/seco	32		

INSTRUCCIONES DE SEGURIDAD IMPORTANTES

La seguridad es una combinación de sentido común, permanecer alerta y saber cómo funciona la aspiradora para mojado/seco (“la aspiradora”).

Palabras de señal de seguridad

▲ PELIGRO: indica una situación peligrosa que, si no se evita, **causará** la muerte o lesiones graves.

▲ ADVERTENCIA: indica una situación peligrosa que, si no se evita, **podría causar** la muerte o lesiones graves.

▲ PRECAUCIÓN: indica una situación peligrosa que, si no se evita, **podría causar** lesiones leves o moderadas o daños materiales.

Cuando utilice la aspiradora, siga siempre las precauciones básicas de seguridad, incluyendo las siguientes:

▲ ADVERTENCIA

– Para reducir el riesgo de incendio, sacudidas eléctricas o lesiones:

- Lea y entienda este manual del usuario y todas las etiquetas que están colocadas en la aspiradora antes de utilizarla.
- Utilice la aspiradora únicamente de la manera que se describe en este manual.
- No deje la aspiradora en marcha mientras esté desatendida. Usted podría no notar señales importantes que indiquen un funcionamiento anormal, tal como pérdida de succión, residuos o líquido que salen por el escape o ruidos anormales del motor. Deje de usar la aspiradora inmediatamente si observa estas señales.
- No abandone la aspiradora cuando esté enchufada. Desenchúfela del tomacorriente cuando no la esté utilizando y antes de realizar servicio de revisión.
- Peligro de descargas eléctricas: No ponga y utilice la aspiradora en agua estancada.
- Las chispas que se producen en el interior del motor pueden incendiar los vapores inflamables o el polvo. Para reducir el riesgo de incendio o

explosión: No use la aspiradora cerca de líquidos o gases inflamables o combustibles, o polvos explosivos como gasolina u otros combustibles, líquido encendedor, limpiadores, pinturas a base de aceite, gas natural, polvo de carbón, polvo de magnesio, polvo de granos de cerea, el polvo de aluminio o pólvora.

- No recoja con la aspiradora nada que esté ardiendo o humeando, como cigarrillos, fósforos o cenizas calientes.
- No recoja con la aspiradora polvo de pared de tipo seco ni hollín frío o ceniza fría de chimenea con un filtro estándar. Estos materiales pueden pasar por el filtro y pueden ser expulsados de vuelta al aire. Utilice un filtro para polvo fino en lugar de un filtro estándar.
- Para reducir el riesgo de inhalar vapores tóxicos, no recoja con la aspiradora materiales tóxicos o peligrosos ni la use cerca de dichos materiales.
- Para reducir el riesgo de descargas eléctricas, no exponga la aspiradora a la lluvia ni deje que entren líquidos en el compartimiento del motor. Guarde la aspiradora en un lugar interior.
- Esta aspiradora mojado/seco no se destina para utilizarse por personas (incluyendo niños) cuyas capacidades físicas, sensoriales o mentales sean diferentes o estén reducidas, o carezcan de experiencia o conocimiento, a menos que dichas personas reciban una supervisión o capacitación para el funcionamiento del aparato por una persona responsable de su seguridad.
- No permita que la aspiradora se utilice como un juguete. Se necesita prestar máxima atención cuando sea utilizada por niños o cerca de éstos.
- No use la aspiradora con un filtro desgarrado o sin tener el filtro instalado, excepto cuando recoja con ella líquidos de la manera que se describe en este manual. Los residuos secos absorbidos por el impulsor podrían dañar el motor o ser expulsados de vuelta al aire.





- Apague la aspiradora antes de desenchufarla.
- Para reducir el riesgo de lesiones debidas a un arranque accidental, desenchufe el cordón de energía antes de cambiar o limpiar el filtro.
- No desenchufe la aspiradora tirando del cordón. Para desenchufarla, agarre el enchufe y no el cordón.
- No use la aspiradora con el cordón dañado, el enchufe dañado u otras piezas dañadas. Si la aspiradora no funciona como debe, le faltan piezas, se ha caído, ha sido dañada, se ha dejado a la intemperie o se ha caído al agua, llame a servicio al cliente.
- No tire de la aspiradora usando el cordón ni la lleve por el cordón, ni use el cordón como asa, ni cierre una puerta sobre el cordón, ni tire del cordón alrededor de bordes o esquinas afilados. No pase la aspiradora en marcha sobre el cordón. Mantenga el cordón alejado de las superficies calientes.
- No maneje el enchufe, el interruptor o la aspiradora con las manos mojadas.
- No utilice un cordón de extensión con esta aspiradora.
- Esta aspiradora tiene aislamiento doble, lo cual elimina la necesidad de un sistema independiente de conexión a tierra. Utilice únicamente piezas de repuesto idénticas. Lea las instrucciones de servicio de revisión de las aspiradoras para mojado/seco con aislamiento doble.
- No ponga ningún objeto en las aberturas de ventilación. No recoja nada con la aspiradora cuando cualquiera de las aberturas de ventilación esté bloqueada; mantenga dichas aberturas libres de polvo, pelusa, pelo o cualquier cosa que pueda reducir el flujo de aire.
- Mantenga el pelo, la ropa holgada, los dedos y todas las partes del cuerpo alejados de las aberturas y de las piezas móviles.
- Para reducir el riesgo de caídas, tenga cuidado adicional al limpiar en escaleras.
- Para reducir el riesgo de lesiones de espalda o caídas, no levante una aspiradora que pese mucho debido a que contiene líquido o residuos. Saque parte del contenido de la aspiradora o drénela parcialmente.
- Para reducir el riesgo de lesiones corporales o daños a la aspiradora, utilice únicamente accesorios recomendados por Ridgid.
- Cuando utilice la aspiradora como soplador :
 - Dirija la descarga de aire solamente hacia el área de trabajo.
 - No dirija el aire hacia las personas que estén presentes.
 - Mantenga alejados a los niños durante la operación de soplado.
 - No utilice el soplador para trabajos que no sean soplar suciedad y residuos.
 - No use la aspiradora como rociador.
- Para reducir el riesgo de lesiones en los ojos, use protección ocular de seguridad. La utilización de cualquier aspiradora utilitaria o soplador utilitario puede hacer que se soplen objetos extraños hacia los ojos, lo cual puede causar daños graves en los ojos.

▲ PRECAUCIÓN:

- Para reducir el riesgo de daños a la audición, use protectores de oídos cuando utilice la aspiradora durante muchas horas seguidas o cuando la emplee en un área ruidosa.
- Para operaciones que generan polvo, use una máscara antipolvo.
- Las descargas de estática son comunes cuando la humedad relativa del aire es baja. Si recoge residuos finos con la aspiradora, se puede depositar carga estática en la manguera o en la aspiradora. El mejor remedio para reducir la frecuencia de las descargas de estática en su casa o cuando use esta aspiradora es añadir humedad al aire con un humidificador.

Siga las siguientes advertencias que aparecen en la caja del motor de la aspiradora.



AISLAMIENTO DOBLE. NO SE REQUIERE CONEXION A TIERRA.

CUANDO HAGA SERVICIO DE REVISIÓN DE LA ASPIRADORA, UTILICE ÚNICAMENTE PIEZAS DE REPUESTO IDÉNTICAS.

▲ ADVERTENCIA: Para su propia seguridad, lea y entienda el manual del operador. No tenga en marcha la aspiradora desatendida. No recoja cenizas calientes, carbón caliente, materiales tóxicos ni inflamables ni otros materiales peligrosos. No use la aspiradora alrededor de líquidos o vapores explosivos.

▲ ADVERTENCIA: Peligro de descargas eléctricas: No ponga y utilice la aspiradora en agua estancada.

▲ ADVERTENCIA: Para reducir el riesgo de sacudidas eléctricas, no exponga la aspiradora a la lluvia y almacénela en interiores.

▲ ADVERTENCIA: Para reducir el riesgo de descargas eléctricas, no retire, modifique ni sumerja este enchufe. Haga una prueba antes de cada uso.

GUARDE ESTE MANUAL



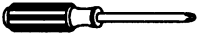
Introducción

Esta aspiradora para mojado/seco está diseñada solamente para uso doméstico. Se puede utilizar para recoger materiales mojados o secos y se puede usar como soplador.

Lea este manual del usuario para familiarizarse con las características del producto y para entender la utilización específica de su nueva aspiradora.

Desempaquetado y comprobación del contenido de la caja de cartón

Herramientas necesarias



Destornillador Phillips

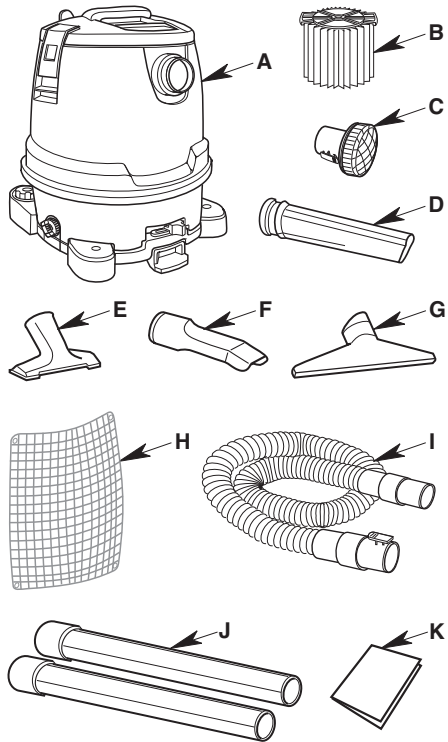
Saque todo el contenido de la caja de cartón. Asegúrese de que no falte ningún artículo utilizando la lista del contenido de la caja. Llame al 1-800-4-RIDGID (1-800-474-3443) desde los EE.UU. y Canadá, y al 01-800-701-9811 desde México, o envíenos un correo electrónico a info@ridgid.com si cualquier pieza está dañada o falta.

Lista del contenido de la caja de cartón

Clave	Descripción	Cant.
A	Aspiradora para mojado/seco.....	1
B*	Filtro Qwik Lock™.....	1
C	Silenciador/Difusor.....	1
D	Boquilla rinconera.....	1
E	Boquilla de uso general.....	1
F	Boquilla para auto.....	1
G	Boquilla para mojado.....	1
H	Portaaccesorios.....	1
I	Manguera de fijación premium.....	1
J	Tubos extensores.....	2
K	Manual del usuario.....	1

* El filtro viene preensamblado.

Consulte el dibujo de ensamblaje para averiguar el posicionamiento de las piezas.

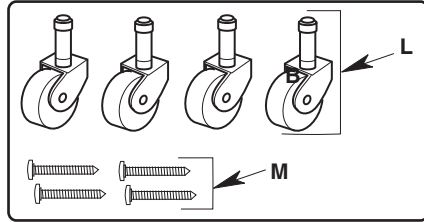




Desempaquetado y comprobación del contenido de la caja de cartón (continuación)

Bolsa de piezas sueltas
que contiene lo siguiente:

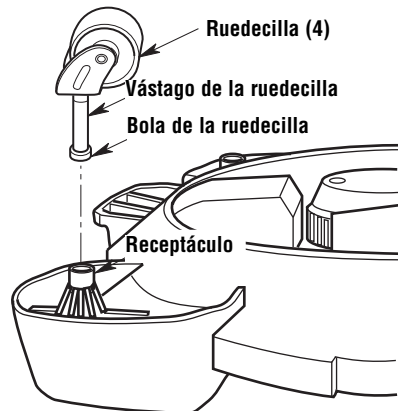
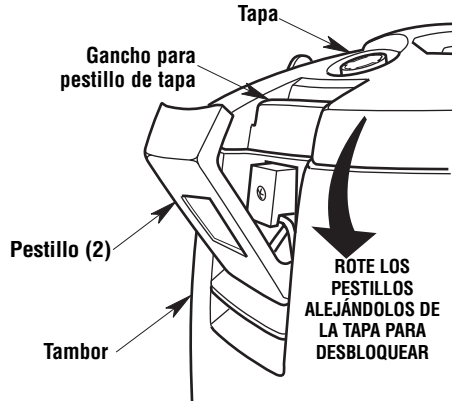
Clave	Descripción	Cant.
L	Ruedecilla de 2 pulgadas.....	4
M	Tornillo de tipo AB No. 10 x 3/4	4



Ensamblaje de la aspiradora

Instalación de las ruedecillas

1. Retire la tapa del tambor/sopORTE para almacenamiento soltando los dos pestillos ubicados en la parte superior de la aspiradora.
2. Ponga el tambor en posición invertida para dejar al descubierto la parte inferior del tambor/sopORTE de almacenamiento, con el fin de realizar el ensamblaje de las ruedecillas.
3. Inserte el vástago de ruedecilla en el receptáculo de la base motriz, de la manera que se muestra en la ilustración.
4. Empuje sobre la ruedecilla hasta que la bola ubicada en el vástago de la ruedecilla esté insertada por completo en el receptáculo. Usted podrá oír cómo como la bola se acopla a presión en el receptáculo y la ruedecilla girará fácilmente cuando su posicionamiento sea correcto.
5. Repita los pasos 3 y 4 para las tres ruedecillas restantes.
6. Rote el tambor/sopORTE de almacenamiento hasta la posición al derecho y reinstale la tapa.

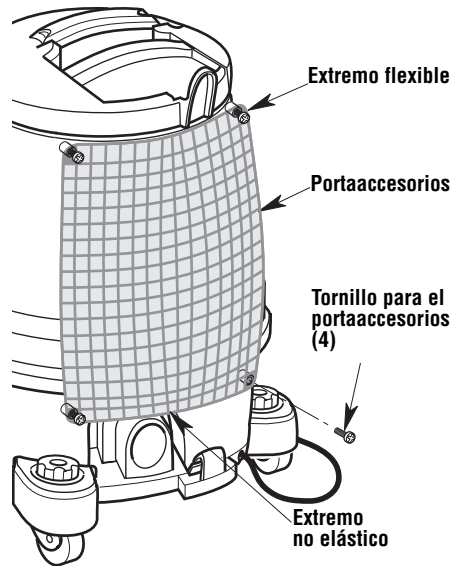


Ensamblaje de la aspiradora (continuación)

Instalación del portaaccesorios

1. Acople el extremo flexible del portaaccesorios en la parte superior del tambor de la aspiradora. El extremo no elástico deberá estar ubicado en la parte inferior del tambor de la aspiradora.
2. Instale el portaaccesorios de la manera que se muestra en la ilustración con los 4 tornillos incluidos.
3. Apriete los tornillos de manera que haya una pequeña holgura entre la cabeza del tornillo y el aro de refuerzo ubicado en el portaaccesorios.

Nota: Si no hay holgura entre la cabeza del tornillo y el aro de refuerzo, el portaaccesorios girará con los tornillos.



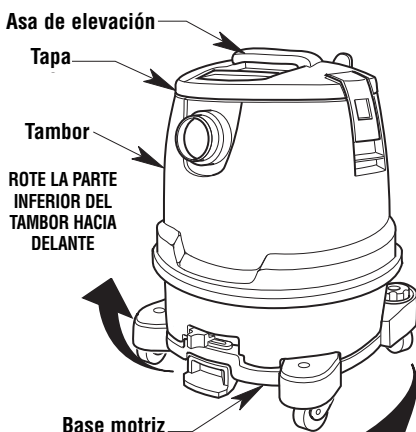
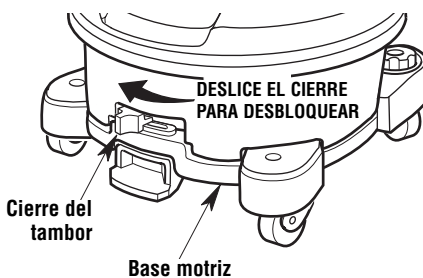
Remoción/instalación del tambor de la aspiradora

Remoción

1. Retire el tambor del soporte de almacenamiento de la base motriz, deslizando primero el cierre del tambor de derecha a izquierda.

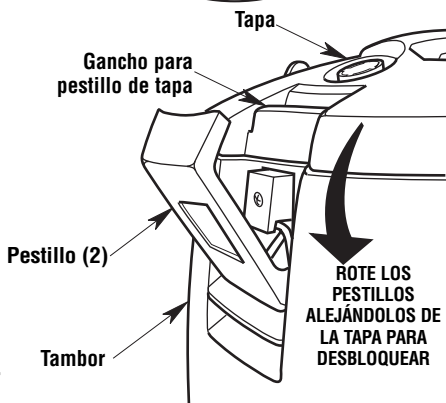
Este cierre está ubicado en la parte delantera de la unidad, justo encima del interruptor de alimentación, entre la parte inferior del tambor y la base motriz.

2. Levante el tambor utilizando el asa de elevación que se encuentra sobre la tapa del tambor. Si se deja que la parte delantera del tambor suba primero, el resultado será que el tambor se desacoplará de la base motriz de manera suave y correcta.



3. Con el tambor ubicado en el piso, jale hacia arriba las agarraderas de los pestillos de la tapa que se encuentran en los lados izquierdo y derecho del tambor. Rote los pestillos alejándolos de la tapa.
4. Retire la tapa del ensamblaje del tambor y póngala en un lugar seguro.

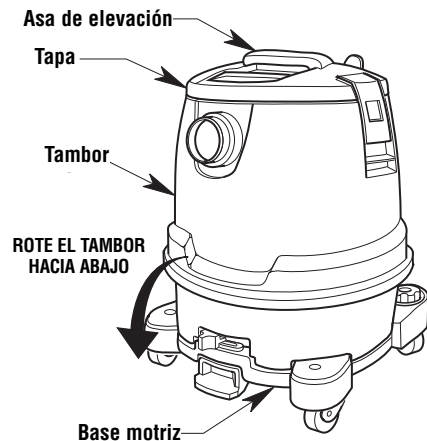
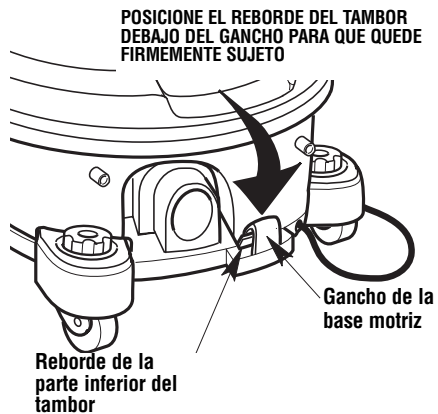
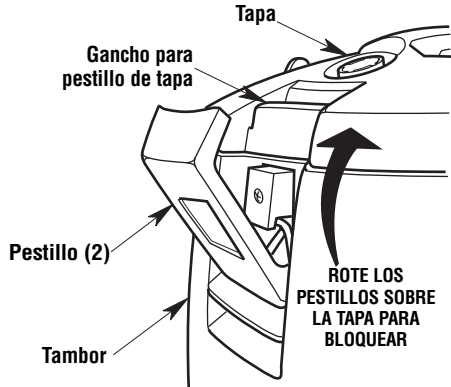
Nota: El filtro ha permanecido en el tambor y permanecerá ahí durante todo el proceso de vaciado, para mantener los residuos que se hayan recogido confinados en el tambor.



Remoción/instalación del tambor de la aspiradora (continuación)

Installation

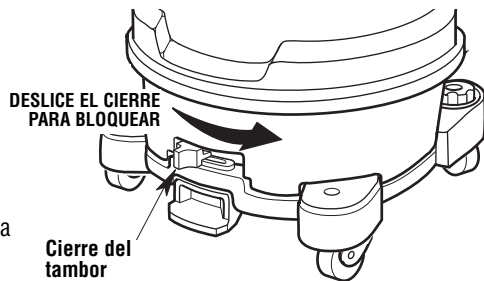
1. Posicione la tapa sobre el ensamblaje del tambor/soporte de almacenamiento, de la manera que se muestra en la ilustración.
2. Rote ambos pestillos hacia arriba sobre los ganchos para pestillo de tapa.
3. Presione los pestillos hacia abajo y hacia dentro hasta que estén al ras con el tambor.
4. Utilizando el asa de elevación, deslice el tambor sobre la base motriz, acoplando el gancho de la base motriz con la parte inferior del tambor.



Vac Drum Removal/Installation (continuación)

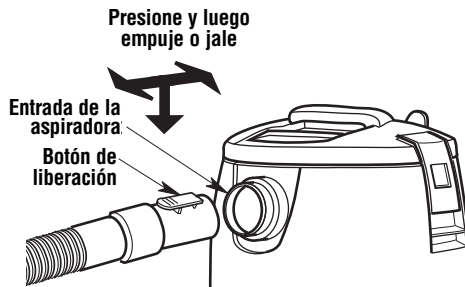
5. Baje la parte delantera del tambor sobre el soporte de almacenamiento de la base motriz y deslice la palanca de fijación del tambor de izquierda a derecha hasta la posición bloqueada para que se sujete firmemente.

Nota: Esto permitirá que el tambor y la base motriz creen y mantengan el sello apropiado una vez que el cierre del tambor ubicado en la parte delantera haya sido movido hasta la posición bloqueada. Si no se ha asentado correctamente el tambor sobre la base motriz, este cierre no se acoplará adecuadamente y es posible que el interruptor de alimentación no funcione. Este cierre está ubicado en la parte delantera de la unidad, justo encima del interruptor de alimentación, entre la parte inferior del tambor y la base motriz.



Introduzca la manguera

1. Introduzca el extremo con botón pulsador de la manguera arrastrable "Tug-A-Long™" en la entrada de la aspiradora. La manguera debe acoplarse a presión en su sitio.
2. Para quitar la manguera de la aspiradora, oprima el botón de liberación que está en el ensamblaje de la manguera y tire de la manguera hasta sacarla de la entrada de la aspiradora, de la manera que se muestra en la ilustración.



Funcionamiento

▲ ADVERTENCIA: Para reducir el riesgo de incendio, explosión o daños a la aspiradora:

- No deje la aspiradora en marcha mientras esté desatendida. Usted podría no notar señales importantes que indiquen un funcionamiento anormal, tal como pérdida de succión, residuos o líquido que salen por el escape o ruidos anormales del motor. Deje de usar la aspiradora inmediatamente si observa estas señales.
- No deje la aspiradora enchufada cuando no se esté utilizando.
- No continúe usando la aspiradora cuando el flotador haya cortado la succión.
- No utilice la aspiradora en áreas con gases inflamables, vapores inflamables o polvo explosivo en el aire. Las chispas generadas dentro del motor pueden incendiar los materiales inflamables suspendidos en el aire. Los gases inflamables y los vapores inflamables incluyen: líquido encendedor, limpiadores tipo solvente, pinturas a base de aceite, gasolina, alcohol o rociadores tipo aerosol. Los polvos inflamables incluyen: polvo de carbón, polvo de magnesio, polvo de aluminio, polvo de grano de cereal o pólvora.
- No recoja con la aspiradora polvos explosivos, líquidos inflamables ni cenizas calientes.

▲ ADVERTENCIA: Para reducir el riesgo de descargas eléctricas o lesiones:

- No exponga la aspiradora a la lluvia ni deje que entre líquido en el compartimiento del motor. Almacene la aspiradora en un lugar interior.
- No maneje el enchufe, el interruptor o la aspiradora con las manos mojadas.
- No haga servicio de ajustes y reparaciones de la aspiradora mientras esté enchufada. Si la aspiradora no está funcionando como debería, le faltan piezas, se ha caído, está dañada, se ha dejado a la intemperie o se ha caído al agua, devuélvala a un centro de servicio independiente o llame a servicio al cliente.
- No utilice un cordón de extensión con esta aspiradora.

Familiarícese con los accesorios que se incluyen con la aspiradora. Cada accesorio puede usarse de diversas maneras para aspirar y soplar residuos. A continuación hay una lista de los accesorios y de sus usos.

Boquilla para mojado: Se utiliza para recoger materiales mojados en superficies lisas, para recoger líquido y secar la superficie en una pasada.

Boquilla rinconera: Se utiliza para recoger residuos en lugares difíciles de alcanzar.

Boquilla de uso general: Boquilla que se usa en la mayoría de las aplicaciones de aspiración.

Boquilla para auto: Boquilla para recoger materiales secos en interiores de auto y en la mayoría de limpiezas de tapicería.

Silenciador/Difusor: Se utiliza para dispersar la corriente de aire de escape a la vez que se reduce el ruido. Insértelo en el orificio de soplado.

Tubos extensores: Estos tubos pueden conectarse entre sí y proporcionan longitud adicional para tener más alcance.

Manguera: Proporciona transferencia de capacidad de aspiración o soplado al lugar de trabajo. Proporciona los medios para acoplar los tubos extensores y las boquillas.



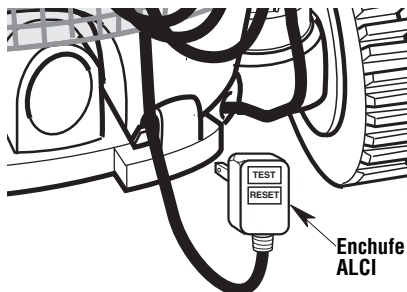
Funcionamiento (continuación)

Para reducir el riesgo de descargas eléctricas, esta aspiradora tiene un dispositivo ALCI (Appliance Leakage Current Interrupters, interruptores por corriente de fuga para aparatos eléctricos) con un enchufe polarizado (un terminal es más ancho que el otro). Puede que sea necesario restablecer el dispositivo ALCI si éste detecta una fuga de corriente o si se presiona el botón de prueba del dispositivo.

El enchufe polarizado sólo encajará de una manera en un tomacorriente polarizado. Si el enchufe no encaja completamente en el tomacorriente, invierta el enchufe. Si sigue sin encajar, contacte a un electricista calificado para que instale el tomacorriente adecuado. No cambie el enchufe de ninguna manera.

Tenga presente que el ALCI es un dispositivo protector que puede hacer que la aspiradora esté inoperable temporalmente en algunas condiciones anormales, tales como la inmersión de la base de la aspiradora en agua. Antes de cualquier uso de la aspiradora que involucre la recogida de residuos mojados, o si la base se ha colocado previamente en agua estancada o sobre un piso mojado, el dispositivo ALCI se deberá comprobar de la manera siguiente:

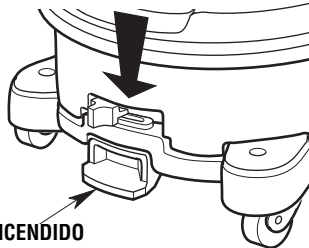
1. Con el dispositivo ALCI enchufado, presione el botón de prueba.
2. El botón de restablecimiento emergerá. Si no lo hace, no utilice el electrodoméstico.
3. Presione el botón de restablecimiento para restablecer el suministro eléctrico.



⚠ ADVERTENCIA: Peligro de descargas eléctricas: No ponga y utilice la aspiradora en agua estancada.

Después de enchufar el enchufe ALCI en el tomacorriente, encienda la aspiradora para mojado/seco pisando el pedal, ubicado en la parte delantera inferior de la base del tambor/sopORTE de almacenamiento.

**EMPUJE HACIA ABAJO PARA
"ENCENDER" Y "APAGAR"**



**Pedal de ENCENDIDO
y APAGADO**

Recogida de materiales secos con la aspiradora

1. El filtro debe estar siempre en la posición correcta para reducir el riesgo de fugas y posibles daños a la aspiradora.
2. La aspiradora para mojado/seco viene con el filtro VF5000 instalado. Al utilizar la aspiradora para recoger polvo muy fino, será necesario que usted vacíe el tambor y limpie el filtro a intervalos más frecuentes para mantener un rendimiento óptimo.

NOTA: Se necesita un filtro seco para recoger material seco. No se recomienda aspirar polvo cuando el filtro esté mojado, ya que éste se obstruirá rápidamente y será difícil limpiarlo. Deje que el filtro se seque antes de almacenarlo.



Funcionamiento (continuación)

Recogida de líquidos con la aspiradora

1. Cuando recoja pequeñas cantidades de líquido (2-4 pulgadas de líquido en el fondo del tambor), el filtro se podrá dejar colocado en la aspiradora.
2. Cuando recoja cantidades más grandes de líquido (más de 4 pulgadas de líquido en el fondo del tambor), recomendamos retirar el filtro. Si no se retira el filtro, éste se saturará y podrá aparecer niebla en el chorro de aire de escape.
3. Después de usar la aspiradora para recoger líquidos, se debe secar el filtro para reducir el riesgo de posible moho y daños al filtro.
4. Cuando el líquido que se encuentre en el tambor alcance un nivel predeterminado, el mecanismo del flotador subirá automáticamente para cortar el flujo de aire. Cuando esto suceda, apague la aspiradora, desenchufe el cordón de energía y vacíe el tambor. Sabrá que el flotador ha subido porque el flujo de aire de la aspiradora cesará y subirá el tono del ruido del motor debido a que se producirá un aumento de la velocidad del mismo.
5. Cuando aspire una cantidad grande de líquido que contenga residuos, se recomienda usar un filtro para aplicaciones mojadas (VF7000) en lugar del filtro de papel plisado suministrado. El filtro para aplicaciones mojadas impedirá que estos residuos entren en el motor, con lo cual se protegerá al motor contra posibles daños.

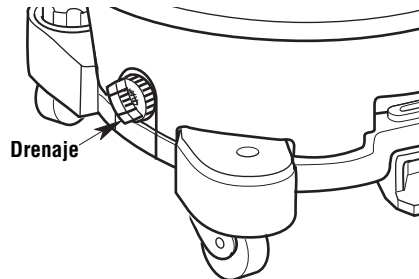
IMPORTANTE: Para reducir el riesgo de daños a la aspiradora, no tenga en marcha el motor con el flotador en la posición elevada.

⚠ ADVERTENCIA: No utilice la aspiradora sin la jaula del filtro y el flotador, ya que estas piezas evitan que entre líquido en el impulsor y dañe el motor.

Vaciado del tambor

⚠ ADVERTENCIA: Para reducir el riesgo de que se produzcan lesiones en la espalda o caídas, no levante la aspiradora si pesa demasiado debido a que contiene líquido o residuos. Saque o haga salir una cantidad suficiente del contenido para hacer que la aspiradora sea suficientemente liviana como para poder levantarla cómodamente.

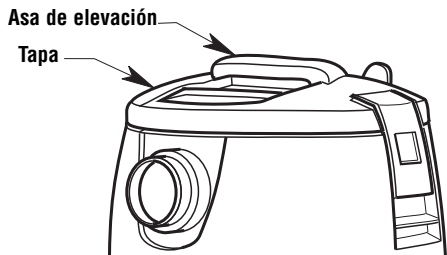
1. La aspiradora viene equipada con un drenaje para vaciarla fácilmente de líquidos. Simplemente desenrosque la tapa del drenaje y levante ligeramente el lado opuesto para vaciar el tambor.



2. Otra opción es retirar de la base motriz el ensamblaje del tambor, para desechar los residuos o líquidos.
3. Siga las instrucciones de remoción del tambor que se encuentran en la página 27.
4. Vierta el contenido del tambor en el recipiente de eliminación de residuos apropiado.

Traslado de la aspiradora para mojado/seco

En el caso de que sea necesario levantar la aspiradora para moverla, el asa de elevación ubicada en la parte superior de la tapa se utiliza para levantar la aspiradora.



Funcionamiento (continuación)

Dispositivo de soplado

La aspiradora cuenta con un orificio de soplado (ubicado en la parte trasera de la aspiradora). Puede soplar aserrín y otros residuos. Siga los pasos que se indican a continuación para usar la aspiradora como soplador.

1. Localice el orificio de soplado de la aspiradora.
2. Introduzca el extremo de fijación de la manguera arrastrable Tug-A-Long en el orificio de soplado de la aspiradora. La manguera debe acoplarse a presión en su sitio.
3. Encienda la aspiradora y estará lista para utilizarse como soplador.
4. Para retirar la manguera de la aspiradora, presione el botón de liberación ubicado en el ensamblaje de la manguera y jale la manguera hasta sacarla de la entrada del orificio de soplado de la aspiradora.

⚠ ADVERTENCIA: Use siempre protectores oculares de seguridad que cumplan con la norma ANSI Z87.1 (o en Canadá, con la norma CSA Z94.3) antes de utilizar la aspiradora como soplador.

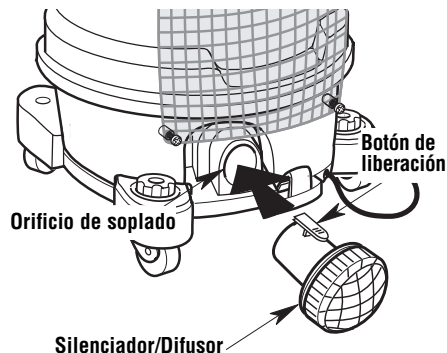
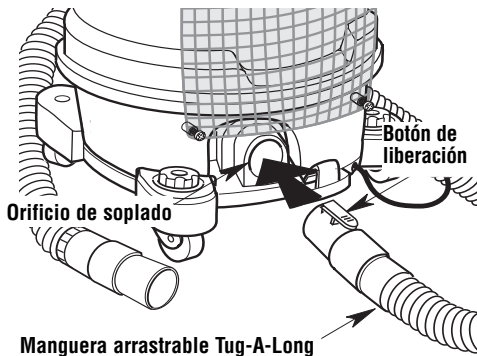
⚠ ADVERTENCIA: Para reducir el riesgo de lesiones a las personas que estén presentes, manténgalas alejadas de los residuos soplados.

⚠ PRECAUCIÓN: Use una máscara antipolvo si el soplado genera polvo que podría ser inhalado.

⚠ PRECAUCIÓN: Para reducir el riesgo de daños a la audición, use protectores de oídos cuando utilice la aspiradora/soplador durante muchas horas seguidas o cuando la utilice en un área ruidosa.

⚠ ADVERTENCIA: No deje enchufada la aspiradora cuando no esté en uso.

Nota: Cuando la unidad se utilice como aspiradora, el silenciador/difusor se deberá instalar en el orificio de soplado, de la manera que se muestra en la ilustración. El uso del silenciador/difusor ayudará a dispersar el chorro de aire de escape.

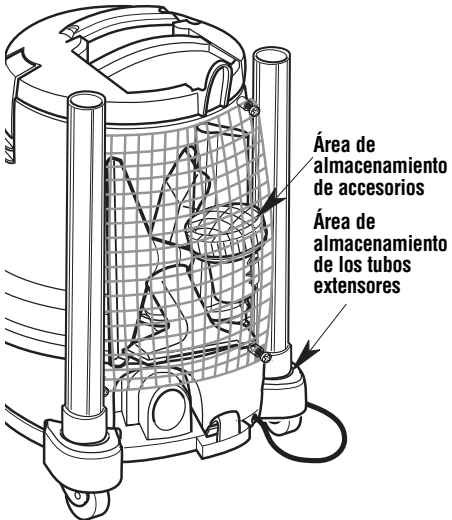


Almacenamiento de los accesorios y la manguera —

Almacenamiento de accesorios

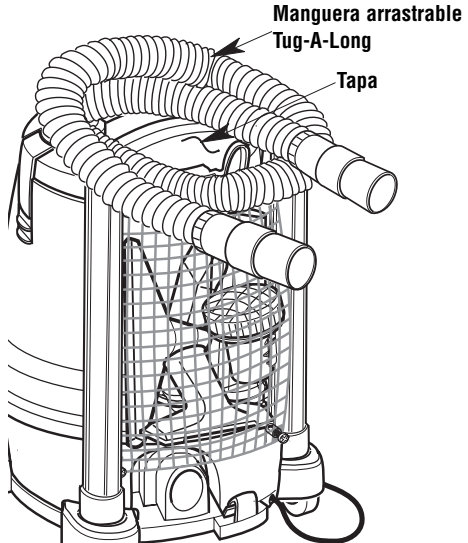
Los accesorios se pueden almacenar en el portaaccesorios ubicado en la parte trasera del tambor o en las áreas de almacenamiento de los pies que se encuentran en el soporte de almacenamiento de la base motriz.

Coloque los tubos extensores en las dos áreas de almacenamiento de los pies que se encuentran en la parte trasera del soporte de almacenamiento de la base motriz.



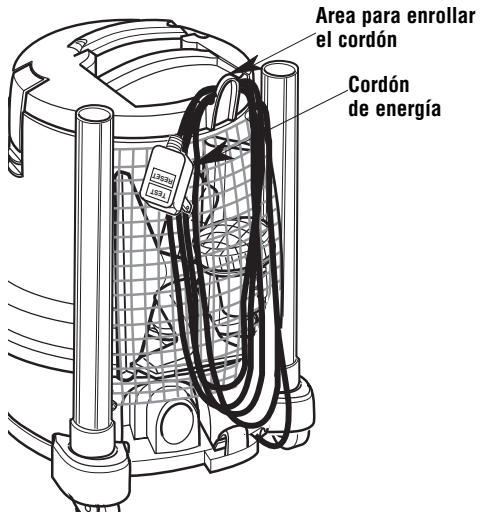
Almacenamiento de la manguera

La manguera se puede almacenar enrollándola alrededor de la parte superior de la aspiradora.



Almacenamiento del cordón en el área para enrollarlo

Cuando haya completado la limpieza con la aspiradora, desenchufe el cordón de energía y enróllelo alrededor del área de plástico para almacenar dicho cordón, ubicada en la parte trasera de la aspiradora, de la manera que se muestra en la ilustración.



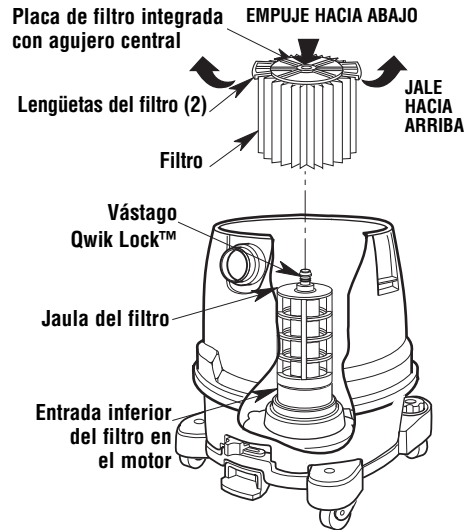
Mantenimiento

Filtro

⚠ ADVERTENCIA: Para reducir el riesgo de lesiones debidas a un arranque accidental, desenchufe el cordón de energía antes de cambiar o limpiar el filtro.

La aspiradora para seco/mojado profesional 1250RV se suministra con el filtro para polvo fino Qwik Lock™ de RIDGID. Los filtros para polvo fino Qwik Lock™ de repuesto están disponibles en el establecimiento donde usted compró su aspiradora. Pida el filtro para polvo fino Qwik Lock™ de RIDGID VF5000.

NOTA: Este filtro está hecho de papel de alta calidad diseñado para detener partículas de polvo muy pequeñas. El filtro se puede usar para recoger material seco o pequeñas cantidades de líquido. Maneje el filtro cuidadosamente al quitarlo para limpiarlo o al instalarlo. Es posible que se produzcan arrugas en los pliegues del filtro, pero dichas arrugas no afectarán el funcionamiento del filtro.



Presione firmemente sobre la parte de arriba del filtro cerca del vástago, para permitir que el filtro se acople a presión sobre la bola ubicada en el extremo del vástago. Una vez hecho esto, el filtro estará instalado.

NOTA: Si no se asienta apropiadamente el empaque inferior, el resultado podría ser que los residuos rodeen el filtro.

IMPORTANTE: Para evitar daños a la rueda del soplador y al motor, vuelva a instalar siempre el filtro antes de usar la aspiradora para recoger material seco.

Limpieza de un filtro seco

NOTA: Para lograr una limpieza óptima con el fin de eliminar el polvo acumulado en el filtro, limpie el filtro en un área abierta. La limpieza del filtro DEBE realizarse al aire libre y no en el interior de una vivienda.

Remoción e instalación del filtro

Remoción del filtro:

1. Sostenga las lengüetas del filtro Qwik Lock™ en cada mano.
2. Con un dedo pulgar en el vástago Qwik Lock™, que sobresale a través de la placa del filtro integrada, levante las lengüetas del filtro a la vez que empuja hacia abajo sobre el vástago.
3. Esta acción hará que el filtro se suelte de la jaula del filtro. Deslice el filtro hasta retirarlo de la jaula.

Instalación del filtro:

1. Deslice cuidadosamente el filtro Qwik Lock™ sobre la jaula del filtro y presione hacia abajo sobre el borde exterior del filtro hasta que el empaque de goma ubicado en la parte inferior del filtro se asiente firmemente alrededor de la base de la jaula del filtro y contra la parte inferior del tambor.
2. Alinee el agujero central pequeño ubicado en la parte superior del filtro sobre el vástago Qwik Lock™ ubicado en la jaula del filtro.

1. Quite el filtro de la aspiradora. Golpee suavemente el filtro contra la pared interior del tambor para polvo. Los residuos se soltarán y caerán.
2. Para limpiar minuciosamente el filtro seco con polvo fino (sin residuos), puede hacer pasar agua a través del filtro tal como se describe bajo "Limpieza de un filtro mojado".



Mantenimiento (continuación)

Limpieza de un filtro mojado

Después de quitar el filtro, haga pasar agua a través de él usando una manguera o desde una espita. Tenga cuidado de que la presión de agua no sea suficientemente fuerte para dañar el filtro. Deje que el filtro se seque antes de reinstalarlo en la unidad.

IMPORTANTE: Después de limpiar el filtro, compruebe si éste tiene desgarraduras o agujeros pequeños. No use un filtro que tenga agujeros o desgarraduras. Incluso un agujero pequeño puede hacer que salga mucho polvo de la aspiradora. Si el filtro está desgastado o dañado, reemplácelo inmediatamente.

Deje que el filtro se seque antes de reinstalarlo y almacenar la aspiradora.

Limpieza y desinfección de la aspiradora para mojado/seco

Para mantener el mejor aspecto posible de la aspiradora para mojado/seco, limpie su exterior con un paño humedecido con agua templada y un jabón suave.

Para limpiar el tambor:

1. Vacíe de residuos el tambor.
2. Lave a fondo el tambor con agua templada y un jabón suave.
3. Limpie el tambor con un paño seco.

Antes de un almacenamiento prolongado o según sea necesario (por ejemplo, si se recogen aguas residuales), se debe desinfectar el tambor.

Para desinfectar el tambor:

1. Eche 1 galón de agua y 1 cucharadita de blanqueador de cloro en el tambor.
2. Deje que la solución repose durante 20 minutos y agítela cuidadosamente cada pocos minutos, asegurándose de mojar todas las superficies interiores del tambor.
3. Vacíe el tambor después de 20 minutos. Enjuáguelo con agua hasta que el olor a blanqueador desaparezca. Deje que el tambor se seque completamente antes de sellar el motor sobre el tambor.

Mantenimiento del cordón

Cuando se haya completado la limpieza con la aspiradora, desenchufe el cordón y enróllelo alrededor de la cubierta del motor. Si el cordón de energía está dañado, debe ser reemplazado por el fabricante o su agente de servicio o por personal similarmente calificado, para reducir el riesgo de accidente.

Si el dispositivo ALCI está impidiendo que la aspiradora funcione, ésta se deberá devolver a un centro de servicio para que sea examinada y reparada.

Almacenamiento

Antes de almacenar la aspiradora, se debe vaciar y limpiar el tambor. El cordón de energía se debe enrollar alrededor de la unidad y la manguera se debe almacenar de la manera descrita en este manual. Los accesorios se deben mantener en la misma área que la aspiradora para que estén al alcance de la mano cuando se necesiten. La aspiradora se debe almacenar en interiores.

Ruedecillas y ruedas

Si el carro rechina o es difícil de hacer rodar, debe poner dos o tres gotas de aceite de uso general en el eje de cada rueda. Si las ruedecillas hacen ruido, puede poner una gota de aceite en el eje del rodillo para que hagan menos ruido.

Armazón y mangos

El mango metálico está pintado para impedir la formación de herrumbre. Sin embargo, los líquidos y los residuos corrosivos deben limpiarse con un paño suave si entran en

▲ ADVERTENCIA: Para garantizar la **SEGURIDAD** y **CONFIABILIDAD** del producto, cualquier otro mantenimiento, reparación o ajuste deberá ser realizado por centros de servicio autorizados, utilizando siempre piezas de repuesto RIDGID.





Notas



Piezas de repuesto


Aspiradora para mojado/seco profesional de 12 galones Número de modelo 1250RV0

Las piezas RIDGID se encuentran disponibles en línea conectándose a www.ridgidparts.com

Pida siempre por número de pieza —no por número de clave

▲ ADVERTENCIA

SERVICIO DE AJUSTES Y REPARACIONES DE UNA ASPIRADORA PARA MOJADO/SECO CON AISLAMIENTO DOBLE

En una aspiradora para mojado/seco con aislamiento doble se proporcionan dos sistemas de aislamiento en vez de conexión a tierra. No se proporciona ningún medio de conexión a tierra en un aparato electrodoméstico con aislamiento doble, ni se debe añadir a éste ningún medio de conexión a tierra. El servicio de ajustes y reparaciones de una aspiradora para mojado/seco con aislamiento doble requiere extremado cuidado y conocimiento del sistema, y debe ser realizado únicamente por personal de servicio competente. Las piezas de repuesto para la aspiradora para mojado/seco con aislamiento doble deben ser idénticas a las piezas que reemplazan. La aspiradora para mojado/seco con aislamiento doble está marcada con las palabras "DOUBLE INSULATED" (con aislamiento doble) y puede que el símbolo  (un cuadrado dentro de un cuadrado) también esté marcado en los aparatos.

Para reducir el riesgo de lesiones por causa de descargas eléctricas, desenchufe el cordón de energía antes de hacer servicio de ajustes y reparaciones a las piezas eléctricas de la aspiradora para mojado/seco.

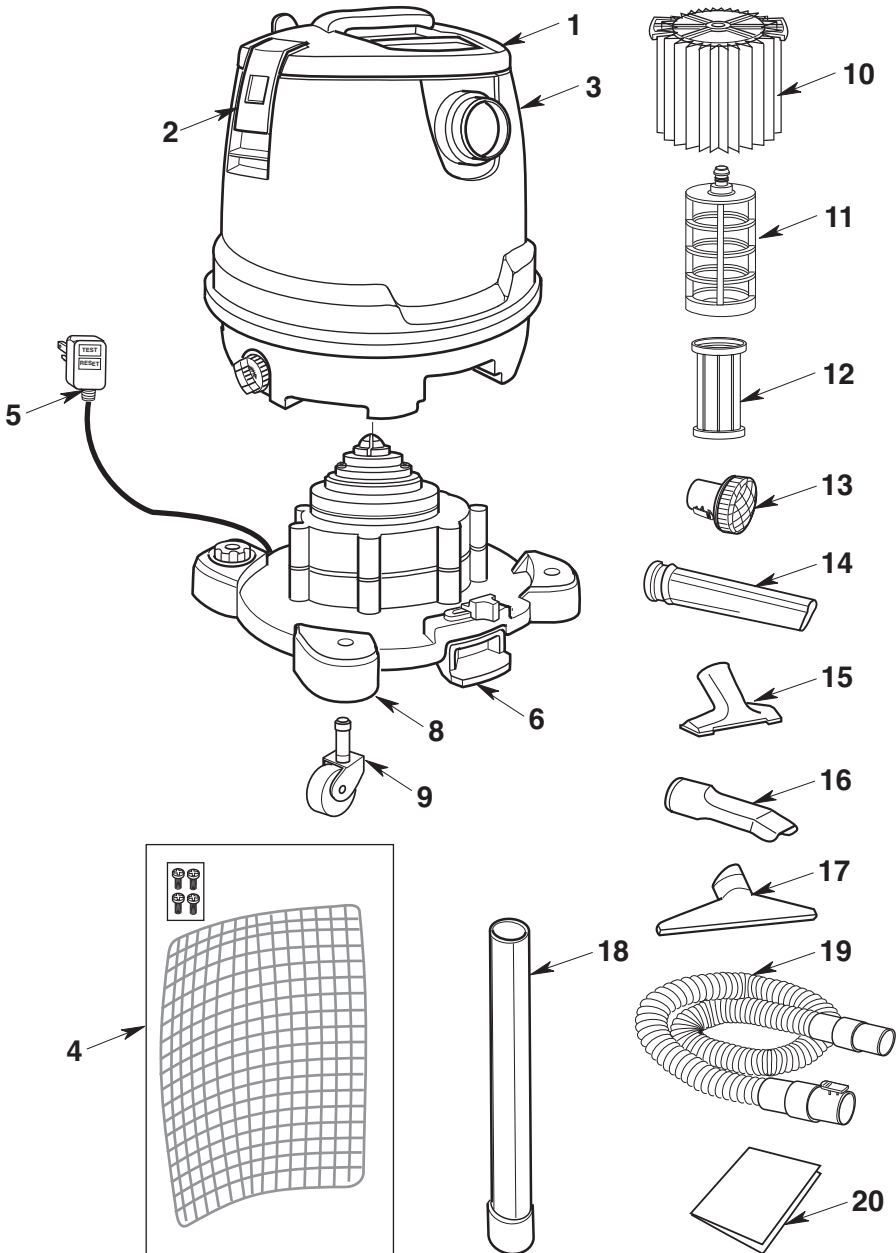
No. de clave	No. de pieza	Descripción
1	510362	Ensamblaje de la tapa (incluye el asa de transporte)
2	510328	Ensamblaje de pestillo del tambor
3	510363	Ensamblaje del tambor completo (incluye pestillos, entrada, etiqueta y tapa del drenaje)
4	510364	Porta accesorios y herrajes
5	835951	Cordón/enchufe de energía tipo ALCI
6	835655-1	Accionador del interruptor
7	835665	Interruptor eléctrico (no mostrado)
8	510331	Ensamblaje de la base motriz
9	73102	Ruedecillas de 2 pulgadas (una sola ruedecilla)
10	VF5000	† Filtro
11	835648	Jaula del filtro
12	510365	Ensamblaje del tubo del flotador
13	830675-2	† Silenciador/Difusor
14	VT2502	† Boquilla rinconera
15	VT2509	† Boquilla de uso general
16	VT2503	† Boquilla para auto
17	VT2510	† Boquilla para mojado
18	VT2508	† Tubo extensor
19	831337-9	Manguera de fijación premium
20	SP6961	Manual del usuario

† Estas piezas de repuesto pueden estar disponibles en el establecimiento donde usted compró la aspiradora.

Piezas de repuesto

Aspiradora para mojado/seco profesional de 12 galones
 Número de modelo 1250RV0

Las piezas RIDGID se encuentran disponibles en línea conectándose a www.ridgidparts.com



RIDGID®



- **Qué está cubierto**

Se garantiza que las aspiradoras para mojado/seco RIDGID® están libres de defectos de fabricación y de materiales.

- **Cuánto dura la cobertura**

Esta garantía dura toda la vida de las aspiradoras para mojado/seco RIDGID®.

- **Cómo puede obtener servicio**

Para obtener el beneficio de esta garantía, envíe el producto completo mediante transporte prepago a RIDGE TOOL COMPANY, Elyria, Ohio, o a cualquier CENTRO DE SERVICIO INDEPENDIENTE RIDGID®. Las llaves para tubos y otras herramientas de mano deben devolverse al establecimiento de compra.

- **Qué haremos para corregir los problemas**

Las aspiradoras para mojado/seco garantizadas serán reparadas o reemplazadas, a opción de Ridge Tool Company, y serán devueltas sin cargo; o si después de tres intentos de reparar o reemplazar la aspiradora para mojado/seco durante el período de garantía ésta aún presenta defectos, usted puede optar por recibir un reembolso completo de su precio de compra.

- **Qué no está cubierto**

Las averías debidas a uso incorrecto, abuso o desgaste por el uso normal no están cubiertas por esta garantía. **RIDGE TOOL NO SERÁ RESPONSABLE DE NINGÚN DAÑO FORTUITO NI EMERGENTE.**

- **Cómo se relaciona la ley local con la garantía**

Algunos estados no permiten la exclusión o limitación de los daños fortuitos o emergentes, por lo que es posible que la limitación o exclusión que antecede no tenga aplicación en su caso. Esta garantía le confiere a usted derechos específicos y es posible que también tenga otros derechos, que varían de un estado a otro, una provincia a otra o un país a otro.

- **Ninguna otra garantía expresa tiene aplicación**

Esta GARANTÍA COMPLETA DE POR VIDA es la garantía única y exclusiva de las aspiradoras para mojado/seco RIDGID®. Ningún empleado, agente, distribuidor u otra persona está autorizado a alterar esta garantía ni a dar ninguna otra garantía en nombre de Ridge Tool Company.

No. de existencia 1250RV

No. de modelo 1250RV0

El número de modelo y el número de serie se pueden encontrar en la parte trasera del ensamblaje de la base motriz. Debe anotar tanto el número de modelo como el de serie en un lugar seguro para uso futuro.

¿PREGUNTAS O COMENTARIOS? COMUNÍQUESE CON NOSOTROS EN

1-800-4-RIDGID (1-800-474-3443) desde los EE.UU. y Canadá

01-800-701-9811 desde México

www.ridgidvac.com

Por favor, tenga a mano su número de modelo y número de serie cuando llame.



EMERSON™

© 2015 Emerson

Commercial & Residential Solutions

No. de pieza SP6961

No. de formulario SP6961

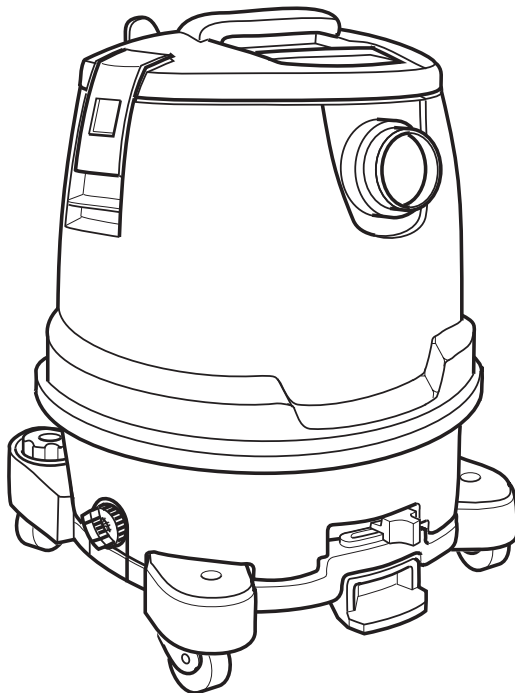
Impreso en México 06/15

RIDGID

MODE D'EMPLOI

ASPIRATEUR DE LIQUIDES ET
DE POUSSIÈRES PROFESSIONNEL DE
12 GALLONS DES ÉTATS-UNIS / 45 LITRES

1250RV0



EN CAS DE QUESTIONS OU POUR OBTENIR DES INFORMATIONS,
VEUILLEZ NOUS CONTACTER AU :

1-800-4-RIDGID (1-800-474-3443) depuis les États-Unis et le Canada
01-800-701-9811 depuis le Mexique
www.ridgidvac.com

▲ AVERTISSEMENT :

Pour réduire le risque de blessure, l'utilisateur doit lire et comprendre le mode d'emploi avant d'utiliser ce produit.

Merci d'avoir acheté un produit RIDGID.

• Español - página 21

CONSERVER CE MANUEL POUR RÉFÉRENCE FUTURE



Table des matières

Section	Page	Section	Page
Introduction	44	Fonction de soufflante	53
Déballage et contrôle du contenu du carton	44	Rangement des accessoires et du tuyau	54
Outils nécessaires	44	Rangement des accessoires	54
Liste du contenu de la boîte en carton	44	Rangement du tuyau flexible	54
Ensemble de l'aspirateur	45	Zone de rangement pour l'enroulement du cordon d'alimentation	54
Retrait/installation du tambour de l'aspirateur	47	Entretien	55
Fonctionnement	50	Pièces de rechange	58
Aspiration de matériaux secs	51	Réparation des aspirateurs de liquides et de poussière à double isolation	58
Aspiration de liquides	52	Garantie	60
Vidage du tambour	52		
Transport de l'aspirateur de liquides et de poussières	52		

INSTRUCTIONS IMPORTANTES RELATIVES À LA SÉCURITÉ

La sécurité est une combinaison de faire preuve de bon sens, rester vigilant et savoir comment votre aspirateur de liquides et de poussières (l'« aspirateur ») fonctionne.

Termes de signalisation de questions de sécurité

▲ DANGER : indique une situation dangereuse qui, si elle n'est pas évitée, **causera** la mort ou une blessure grave.

▲ AVERTISSEMENT : indique une situation dangereuse qui, si elle n'est pas évitée, **risque de causer** la mort ou une blessure grave.

▲ MISE EN GARDE : indique une situation dangereuse qui, si elle n'est pas évitée, **pourrait causer** une blessure légère ou modérée.

Prenez toujours des précautions élémentaires, notamment les précautions suivantes, lorsque vous utilisez votre aspirateur de liquides et de poussières :

▲ AVERTISSEMENT

– Pour réduire le risque d'incendie, de choc électrique ou de blessure :

- Lisez et comprenez ce manuel et toutes les étiquettes placées sur l'aspirateur avant de mettre celui-ci en marche.
- N'utilisez l'aspirateur que comme cela est décrit dans ce mode d'emploi.
- Ne laissez pas en marche pendant que vous êtes absent – vous vous risqueriez de manquer des signes importants indiquant un fonctionnement anormal, comme une perte de puissance d'aspiration, la sortie de débris ou de liquides par la bouche de soufflage d'air ou des bruits anormaux en provenance du moteur. Cessez immédiatement d'utiliser l'aspirateur si vous constatez de tels signes.
- Ne laissez pas l'aspirateur sans surveillance quand il est branché dans une prise de courant. Débranchez-le de la prise quand il n'est pas utilisé et avant toute opération de maintenance.
- Risque de choc électrique – Il ne faut pas placer et utiliser l'aspirateur dans de l'eau stagnante.
- Des étincelles à l'intérieur du moteur risquent de mettre feu à des vapeurs ou poussières

inflammables. Pour réduire le risque d'incendie ou d'explosion : n'utilisez pas à proximité de gaz ou de liquides inflammables ou combustibles, ou de poussières explosives, comme de l'essence automobile ou d'autres fiouls, de l'essence à briquet, des produits de nettoyage, de la peinture à l'huile, du gaz naturel, de la poussière de charbon, de la poussière de magnésium, de la poussière de céréales, de la poussière d'aluminium ou de la poudre.

- N'aspirez jamais de matières en train de brûler ou des matières fumigènes, telles que des cigarettes, des allumettes ou des cendres chaudes.
- N'aspirez jamais de poussières de plaques de plâtre, de suie ou de cendres de cheminée froides lorsqu'un filtre pour aspirateur de liquides et de poussières standard. Il s'agit de poussières très fines qui risqueraient d'être projetées à nouveau dans l'air ambiant. Utilisez un filtre à poussières fines à la place.
- Pour réduire le risque d'inhalation de vapeurs toxiques, n'aspirez pas de matériaux toxiques ou dangereux, et n'utilisez pas à proximité de tels matériaux.
- Pour réduire le risque de choc électrique, n'exposez pas à la pluie et empêchez l'entrée de liquides dans le compartiment du moteur. Rangez à l'intérieur.
- Cet aspirateur de liquides et de poussières n'est pas conçu pour emploi par des personnes (y compris des enfants) ayant des capacités physiques, sensorielles ou mentales réduites, ou qui n'ont pas l'expérience ou les connaissances nécessaires, sauf en cas de supervision ou d'instructions sur l'utilisation de cet appareil par une personne responsable de leur sécurité.
- Ne laissez pas les enfants se servir de l'aspirateur comme d'un jouet. Il faut surveiller de très près quand il est utilisé par des enfants ou à proximité d'enfants.
- N'utilisez pas avec un filtre déchiré ou sans avoir installé de filtre, sauf quand vous aspirez des liquides, comme cela est décrit dans ce mode d'emploi. Des débris secs capturés par la roue risquent d'endommager le moteur ou d'être expulsés à nouveau dans l'air ambiant.






- Éteignez l'aspirateur avant de le débrancher.
- Pour réduire le risque de blessure pouvant être causée par une mise en marche accidentelle, débranchez le cordon d'alimentation avant de changer le filtre ou de le nettoyer.
- Ne débranchez pas en tirant sur le cordon. Pour débrancher, saisissez la fiche – pas le cordon.
- N'utilisez pas l'aspirateur avec une fiche, un cordon ou un autre composant endommagé. Si votre aspirateur ne fonctionne pas comme il faut, s'il manque des pièces, s'il quelqu'un l'a laissé tomber, s'il est endommagé, s'il a été laissé à l'extérieur ou s'il est tombé dans de l'eau, téléphonez au service d'assistance à la clientèle.
- Ne tirez pas l'aspirateur et ne le portez pas par son cordon, n'utilisez pas le cordon pour servir de poignée, ne fermez pas une porte sur le cordon et ne laissez pas le cordon tendu passer sur des bords ou des coins tranchants. Ne traînez pas l'aspirateur sur son cordon. Maintenez le cordon à distance des surfaces chauffées.
- Ne touchez pas la fiche, l'interrupteur ou l'aspirateur avec des mains mouillées.
- N'utilisez pas de cordon de rallonge avec cet aspirateur.
- Cet aspirateur de liquides et de poussières a une double isolation, ce qui élimine le besoin d'un système de mise à la terre séparé. Utilisez seulement des pièces de rechange identiques. Lisez les instructions concernant l'entretien des aspirateurs de liquides et de poussières à double isolation avant toute opération d'entretien.
- Ne mettez aucun objet dans les orifices de ventilation. N'aspirez pas quand de quelconques orifices de ventilation sont obstrués ; assurez-vous que ces orifices ne sont pas bloqués par de la poussière, de la peluche, des cheveux ou de quelconques objets pouvant réduire la circulation de l'air.
- Gardez les cheveux, les vêtements flottants, les doigts et toutes les parties du corps à distance des orifices et des pièces mobiles.
- Pour réduire le risque de chute, faites très attention lorsque vous utilisez l'aspirateur dans des escaliers.
- Pour réduire le risque de vous faire mal au dos ou de tomber, ne soulevez pas un aspirateur qui est lourd en raison de la présence de liquides ou de débris aspirés. Videz partiellement l'aspirateur en écopant ou en purgeant de façon à l'alléger pour pouvoir le soulever plus facilement.
- Pour réduire le risque de blessure ou le risque d'endommagement de l'aspirateur, n'utilisez que des accessoires recommandés par Ridgid.
- En cas d'utilisation de l'aspirateur comme soufflante :
 - Ne dirigez la décharge d'air que vers la zone de travail.
 - Ne dirigez pas l'air vers des personnes présentes à proximité.
- Gardez les enfants à distance lors du fonctionnement de la soufflante.
- N'utilisez la soufflante que pour souffler des saletés et des débris.
- N'utilisez pas en guise de pulvérisateur.
- Pour réduire le risque de blessure pour les yeux, portez des lunettes de sécurité. L'utilisation de toute soufflante ou de tout aspirateur utilitaire peut toujours causer la projection de corps étrangers dans les yeux, ce qui risque d'entraîner des blessures graves aux yeux.

▲ MISE EN GARDE :

- Pour réduire le risque de perte auditive, portez des protecteurs d'oreilles lorsque vous vous servez de l'aspirateur pendant plusieurs heures ou quand vous l'utilisez dans un endroit bruyant.
- Portez un masque antipoussières en cas d'utilisation dans un environnement poussiéreux.
- Les décharges statiques fréquentes dans les endroits secs ou lorsque l'humidité relative de l'air ambiant est faible. L'aspiration de débris fins avec votre aspirateur peut déposer une charge statique sur le tuyau ou sur l'aspirateur. La meilleure chose à faire pour réduire la fréquence des décharges statiques chez vous ou lorsque vous utilisez cet aspirateur consiste à ajouter de l'humidité dans l'air avec un humidificateur.

Observez les avertissements suivants qui figurent sur le carter du moteur de votre aspirateur :

 **DOUBLEMENT ISOLÉ.**
MISE À LA TERRE NON NÉCESSAIRE.
POUR L'ENTRETIEN, N'UTILISEZ QUE DES PIÈCES DE RECHANGE IDENTIQUES L'ENTRETIEN.

▲ AVERTISSEMENT: pour votre propre sécurité, lisez et comprenez le manuel de l'opérateur. Ne laissez jamais l'aspirateur en marche sans surveillance. Ne ramassez pas de cendres chaudes, de charbon ou de matières toxiques, inflammables ou dangereuses. N'utilisez pas à proximité de vapeurs ou de liquides explosifs.

▲ AVERTISSEMENT : Risque de choc électrique – Il ne faut pas placer et utiliser l'aspirateur dans de l'eau stagnante.

▲ AVERTISSEMENT: pour réduire le risque de choc électrique – n'exposez pas à la pluie – rangez à l'intérieur.

▲ AVERTISSEMENT : Pour réduire le risque de choc électrique, il ne faut pas retirer, modifier ou immerger cette fiche. Tester avant chaque emploi.

CONSERVER CE MANUEL



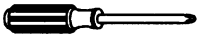
Introduction

Cet aspirateur de liquides et de poussières est conçu pour emploi résidentiel seulement. Il peut être utilisé pour aspirer des matières humides ou sèches, et il peut également faire fonction de souffleuse.

Lisez ce mode d'emploi pour vous familiariser avec les fonctions du produit et pour comprendre les particularités d'utilisation de votre nouvel aspirateur.

Déballage et contrôle du contenu du carton

Outils nécessaires



Tournevis à tête cruciforme

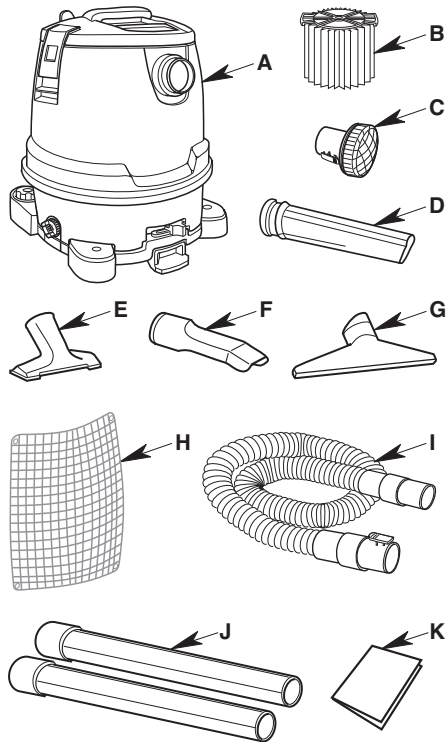
Retirez tous les éléments se trouvant dans la boîte en carton. Inspectez chaque élément en le comparant à la liste incluse dans la boîte en carton. Téléphonez au 1-800-4-RIDGID (1-800-474-3443) depuis les États-Unis et le Canada, 01-800-701-9811 depuis le Mexique, ou envoyez-nous un courriel à info@ridgid.com si de quelconques composants sont endommagés ou manquants.

Liste du contenu de la boîte en carton

Légende	Description	Qté
A	Ensemble d'aspirateur de liquides et de poussières	1
B*	Filtre Qwik Lock™	1
C	Silencieux/diffuseur	1
D	Suceur plat	1
E	Suceur à usages multiples	1
F	Suceur pour véhicules	1
G	Suceur humide	1
H	Porte-accessoire	1
I	Tuyau flexible verrouillable de qualité supérieure	1
J	Baguettes de rallonge	2
K	Mode d'emploi	1

* Le filtre a été assemblé à l'usine.

Se référer au croquis d'assemblage pour le positionnement des pièces.



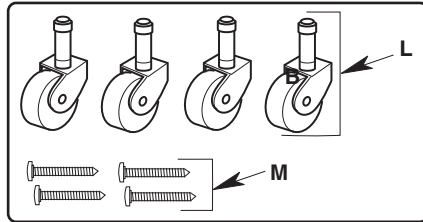


Déballage et vérification du contenu du carton (suite)

Sachet de pièces détachées –

Contenant les pièces suivantes :

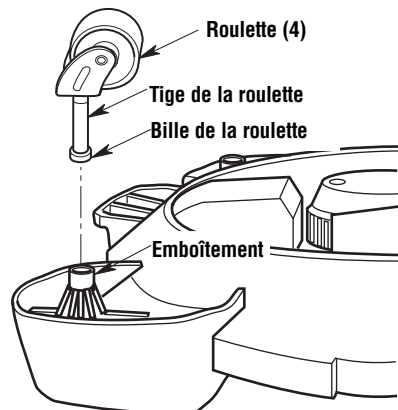
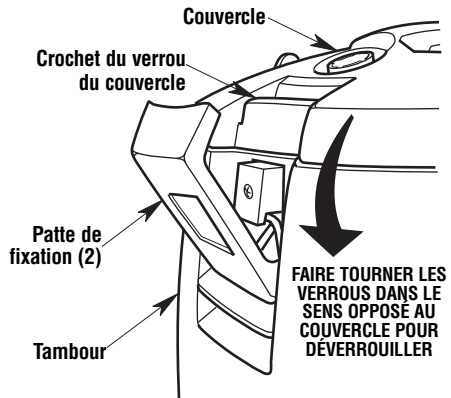
Légende	Description	Qté
L	Roulette de 2 po	4
M	Vis de type AB N° 10 x 3/4	4



Ensemble de l'aspirateur

Installation des roulettes

1. Retirez le couvercle du tambour/chariot en ouvrant les deux verrous en haut de l'aspirateur.
2. Mettez le tambour sens dessus-dessous pour exposer le bas du tambour/chariot en vue du montage des roulettes.
3. Insérez la tige de chaque roulette dans la douille de la base d'alimentation comme illustré.
4. Appuyez sur la roulette jusqu'à ce que la bille de la tige de la roulette ait été insérée à fond dans la douille. Vous pourrez alors entendre le déclic du positionnement de la bille dans la douille, et la roulette pivotera facilement si son positionnement est correct.
5. Répétez les étapes 3 et 4 pour les trois autres roulettes.
6. Faites tourner le tambour/chariot pour le remettre en position verticale, et remettez le couvercle en place.

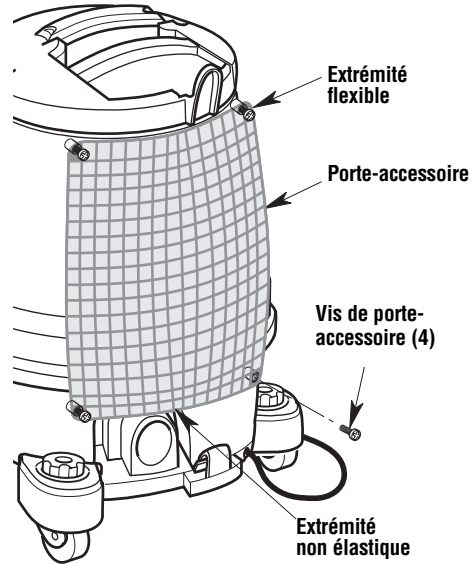


Ensemble de l'aspirateur (suite)

Installation du porte-accessoire

1. Attachez l'extrémité flexible du porte-accessoire au dessus du tambour de l'aspirateur. L'extrémité non élastique doit être située sur le dessous du tambour de l'aspirateur.
2. Installez le porte-accessoire comme illustré avec les 4 vis incluses.
3. Serrez les vis de façon à ce qu'il reste un petit espace entre la tête de la vis et l'œillet sur le porte-accessoire.

Remarque : s'il n'y a pas d'espace entre la tête de la vis et l'œillet, le porte-accessoire tournera avec les vis.



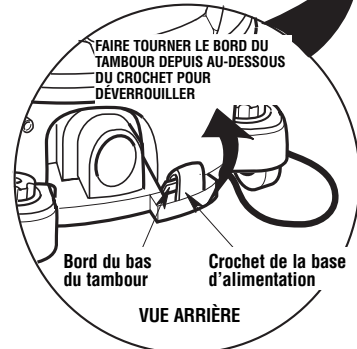
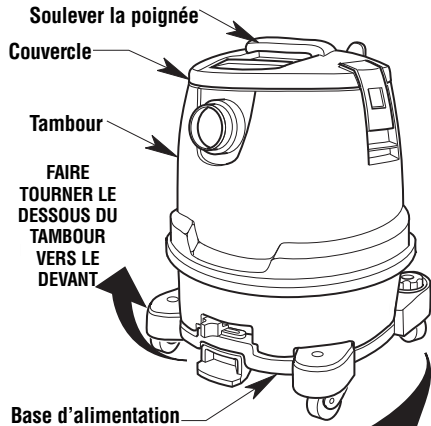
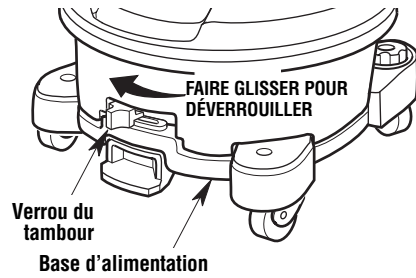
Retrait/installation du tambour de l'aspirateur

Retrait

1. Retirez le tambour du chariot de la base d'alimentation en commençant par faire glisser le verrou du tambour de la droite vers la gauche.

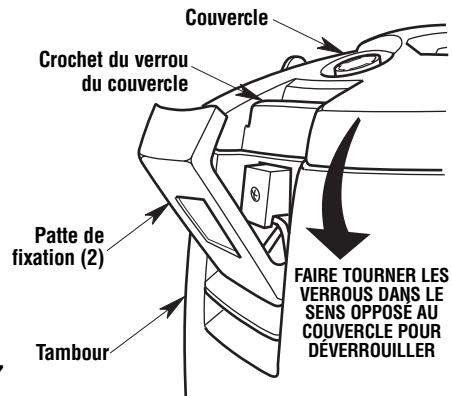
Ce verrou est situé sur le devant de l'aspirateur, juste au-dessus de l'interrupteur, entre la partie inférieure du tambour et la base d'alimentation.

2. Soulevez le tambour en utilisant la poignée de levage qui est située sur le couvercle du tambour. Si vous soulevez la partie avant du tambour en premier, le tambour se détachera correctement et uniformément de la base d'alimentation.



3. Lorsque le tambour repose sur le sol, tirez sur les poignées du verrou du couvercle, qui sont situées des côtés gauche et droit du tambour. Faites tourner les verrous dans le sens opposé au couvercle.
4. Détachez le couvercle de l'ensemble de tambour et placez-le dans un endroit sûr.

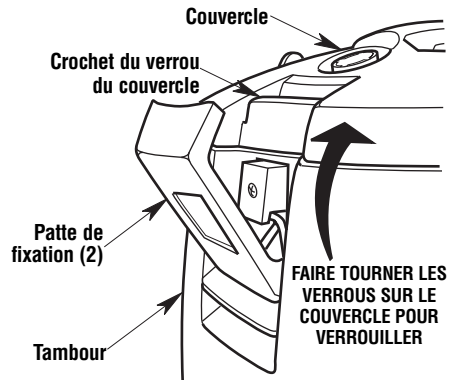
Remarque : le filtre est resté dans le tambour et y restera pendant toute l'opération de vidage, ce qui permettra de concentrer les débris recueillis dans le tambour.



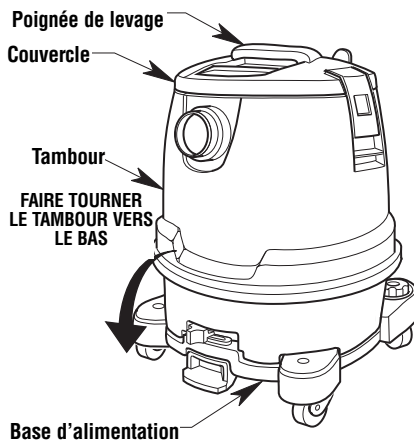
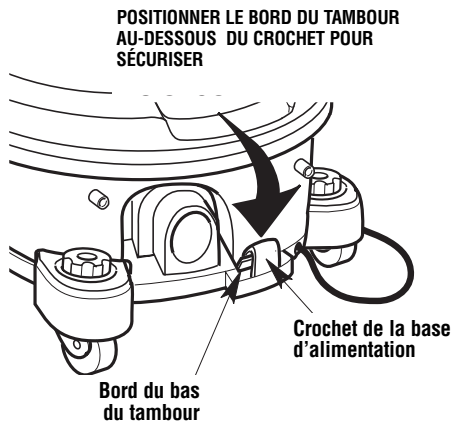
Retrait/installation du tambour de l'aspirateur (suite) —

Installation

1. Positionnez le couvercle sur l'ensemble de tambour/chariot comme illustré.
2. Faites tourner les deux verrous vers le haut, sur les crochets de verrouillage du couvercle.
3. Appuyez sur les verrous en poussant vers le bas et vers l'intérieur, jusqu'à ce que les verrous soient au ras du tambour.



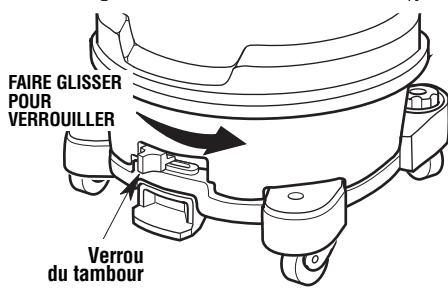
4. En utilisant la poignée de levage, faites glisser le tambour sur la base d'alimentation de façon à engager le crochet de la base d'alimentation dans l'arrière du tambour.



Retrait/installation du tambour de l'aspirateur (suite) —

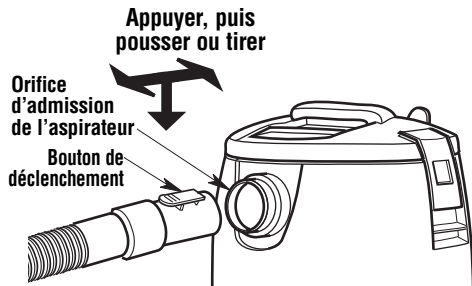
5. Abaissez le devant du tambour sur le chariot de la base d'alimentation et faites glisser le levier du verrou du tambour vers la droite jusqu'en position verrouillée pour sécuriser.

Remarque : ceci permettra au tambour et à la base d'alimentation de créer et de maintenir un joint approprié après que le verrou du tambour à l'avant aura été déplacé dans la position verrouillée. Si le tambour ne repose pas correctement sur la base d'alimentation, ce verrou ne s'engagera pas correctement non plus, et l'interrupteur ne fonctionnera peut-être pas. Ce verrou est situé sur le devant de l'équipement, juste au-dessus de l'interrupteur, entre la partie inférieure du tambour et la base d'alimentation.



Insertion du tuyau

1. Insérez l'extrémité du tuyau de remorquage Tug-A-Long où est situé le bouton de déclenchement à l'intérieur de l'orifice d'aspiration de l'appareil. Le tuyau devrait se mettre en place avec un bruit sec.
2. Pour retirer le tuyau de l'aspirateur, appuyez sur le bouton de déclenchement sur le tuyau et tirez sur le tuyau jusqu'à ce qu'il sorte de l'orifice d'aspiration de l'appareil, tel que cela est illustré.



Fonctionnement

▲ AVERTISSEMENT : pour réduire le risque d'incendie, d'explosion ou d'endommagement de l'aspirateur :

- Ne laissez pas en marche pendant que vous êtes absent – vous vous risqueriez de manquer des signes importants indiquant un fonctionnement anormal, comme une perte de puissance d'aspiration, la sortie de débris ou de liquides par la bouche de soufflage d'air ou des bruits anormaux en provenance du moteur. Cessez immédiatement d'utiliser l'aspirateur si vous constatez de tels signes.
- Ne laissez pas l'aspirateur branché lorsque vous ne l'utilisez pas.
- Ne continuez pas à utiliser l'aspirateur lorsque le flotteur a coupé l'aspiration.
- N'utilisez pas l'aspirateur à des endroits où il y a des gaz ou vapeurs inflammables, ou des poussières explosives, dans l'air. Les étincelles à l'intérieur du moteur risqueraient de mettre feu à des matières inflammables en suspension dans l'air. Les gaz et vapeurs inflammables comprennent : essence à briquet, produits de nettoyage du type solvant, peinture à base d'huile, essence, alcool ou aérosols. Les poussières inflammables comprennent : charbon, magnésium, aluminium, grains ou poudre à canon.
- N'aspirez pas de poussières explosives, de liquides inflammables ou de cendres chaudes.

▲ AVERTISSEMENT : pour réduire le risque de choc électrique ou de blessure :

- N'exposez pas à la pluie, et ne laissez pas de liquides pénétrer dans le compartiment du moteur. Rangez à l'intérieur.
- Ne touchez pas la fiche de branchement, l'interrupteur ou l'aspirateur si vous avez les mains mouillées.
- N'effectuez pas d'opération de maintenance pendant que l'aspirateur est branché. Si votre aspirateur ne fonctionne pas comme il devrait, si des pièces sont manquantes, si vous l'avez laissé tomber, s'il est endommagé, s'il a été laissé à l'extérieur ou s'il a été immergé dans de l'eau, rappelez-le dans un centre de réparation indépendant ou téléphonez au service d'assistance à la clientèle.
- N'utilisez pas de cordon de rallonge avec cet aspirateur.

Il faut bien se familiariser avec les accessoires qui ont été inclus avec cet aspirateur. Chaque accessoire peut être utilisé de façons multiples pour l'aspiration ou le soufflage de débris. Voici une liste des accessoires et des divers moyens de les utiliser :

Suceur humide – Utilisé pour le ramassage de liquides sur des surfaces lisses, afin de permettre le ramassage de liquides et sécher le sol en même temps.

Suceur plat – Utilisé pour aspirer des débris dans des endroits difficiles à atteindre.

Suceur à usages multiples – Suceur d'utilité générale servant à la plupart des applications de nettoyage avec un aspirateur.

Suceur pour véhicules – Suceur pour aspirer les matériaux secs lors du nettoyage des intérieurs et de la plupart des garnitures de véhicules.

Silencieux/diffuseur – Utilisez-le pour disperser le flux d'air d'échappement tout en réduisant le bruit. Insérez-le dans l'orifice de soufflerie.

Baguettes de rallonge – Ces baguettes peuvent être connectées ensemble et fournir une longueur supplémentaire pour atteindre des endroits plus éloignés.

Tuyau – Permet de transférer la capacité d'aspirer ou de souffler sur le site de travail. Fournit le moyen de connecter des baguettes de rallonge et des suceurs.

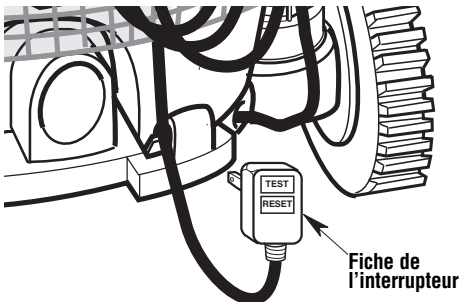
Fonctionnement (suite)

Pour réduire le risque de choc électrique, cet aspirateur est muni d'un interrupteur de courant en cas de fuite d'appareil électroménager qui comporte une fiche polarisée (une lame est plus large que l'autre). Il peut être nécessaire de réinitialiser ce dispositif s'il a détecté une fuite de courant ou si l'on a appuyé sur le bouton de test du dispositif.

La fiche polarisée ne tiendra que d'une seule manière dans une prise de courant polarisée. Si la fiche n'entre pas complètement dans la prise de courant, inversez la position de la fiche. Si elle n'entre toujours pas dans la prise, contactez un électricien professionnel pour qu'il installe une prise de courant appropriée. N'altérez la fiche polarisée en aucune manière.

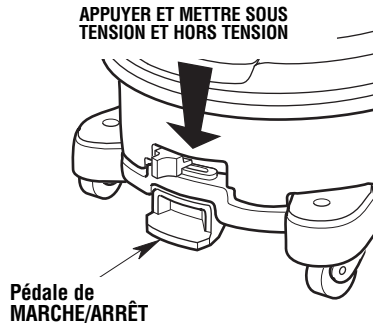
Notez que l'interrupteur de courant en cas de fuite est un dispositif de protection qui peut rendre l'aspirateur temporairement inutilisable dans certaines circonstances anormales, comme en cas d'immersion de la base de l'aspirateur dans de l'eau. Avant tout emploi de l'aspirateur visant à ramasser des déchets humides, ou si la base a été placée auparavant dans de l'eau stagnante ou sur un sol humide, il est nécessaire de tester cet interrupteur de la façon suivante :

1. Branchez l'interrupteur et appuyez sur le bouton de test.
2. Le bouton de réinitialisation sortira. Si ce n'est pas le cas, ne vous servez pas de l'aspirateur.
3. Appuyez sur le bouton de réinitialisation pour remettre sous tension.



⚠ AVERTISSEMENT : risque de choc électrique – Il ne faut pas placer et utiliser l'aspirateur dans de l'eau stagnante.

Après avoir branché la fiche de l'interrupteur de courant en cas de fuite dans la prise de courant, mettez l'aspirateur de liquides et de poussières en marche en appuyant sur la pédale en bas, sur la partie inférieure avant de la base du tambour/chariot.



Aspiration de matériaux secs

1. Le filtre doit toujours être dans la position correcte afin de réduire le risque de fuites et d'endommagement de l'aspirateur.
2. Votre aspirateur de liquides et de poussières est fourni avec un filtre VF5000 installé. Lors de l'utilisation de l'aspirateur pour ramasser des poussières très fines, il sera nécessaire de vider le tambour et de nettoyer le filtre à intervalles plus fréquents afin de continuer à bénéficier de la performance maximale de l'aspirateur.

REMARQUE : un filtre sec est nécessaire pour ramasser des matériaux secs. Il n'est pas recommandé d'aspirer de la poussière lorsque le filtre est mouillé, car il se bouchera très vite et sera alors difficile à nettoyer. Laissez le filtre sécher avant de le ranger.

Fonctionnement (suite)

Aspiration de liquides

1. Lorsque vous aspirez de faibles volumes de liquides (de 2 à 4 po de liquide au fond du tambour), il n'est pas nécessaire de retirer le filtre.
2. Lorsque vous aspirez de grands volumes de liquides (plus de 4 po de liquide au fond du tambour), il est recommandé de retirer le filtre. Si le filtre n'est pas retiré, il se saturera et de la buée apparaîtra dans l'échappement.
3. Après que l'aspirateur aura été utilisé pour aspirer des liquides, il faudra sécher le filtre pour réduire le risque de la formation possible de moisissures et pour ne pas endommager le filtre.
4. Lorsque le liquide aspiré atteint un niveau prédéterminé dans le tambour, le flotteur s'élèvera automatiquement afin de couper la circulation de l'air. Lorsque ceci se produit, fermer l'aspirateur, débrancher le cordon électrique et vider le tambour. L'élévation du niveau du flotteur se remarque parce qu'elle correspond à l'arrêt de la circulation de l'air à l'intérieur de l'aspirateur et parce que le bruit du moteur devient alors plus aigu en raison de l'accélération de sa vitesse.
5. Lorsque vous aspirez beaucoup de liquide contenant des débris, il est recommandé d'utiliser un filtre pour applications humides (VF7000) au lieu du filtre en papier plissé fourni. Le filtre pour applications humides empêchera les débris de pénétrer dans le moteur, ce qui le protégera contre les risques de dommages.

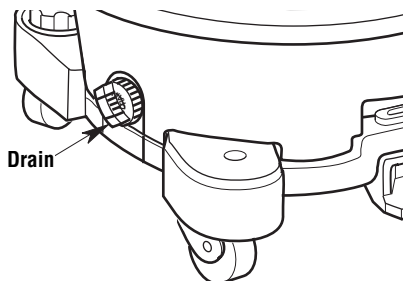
IMPORTANT : pour réduire le risque d'endommager l'aspirateur, il ne faut pas faire fonctionner le moteur pendant que le flotteur est en position élevée.

⚠ AVERTISSEMENT : ne faites pas fonctionner sans la cage du filtre et le flotteur étant donné qu'ils empêchent l'entrée de liquide dans la roue et protègent ainsi le moteur contre les dommages pouvant en résulter.

Vidage du tambour

⚠ AVERTISSEMENT : pour réduire le risque de chute ou de blessure au dos il ne faut pas soulever un aspirateur plein de liquide ou de débris. Ramasser ou drainer suffisamment du contenu hors de l'aspirateur afin de rendre l'aspirateur assez léger pour le soulever confortablement.

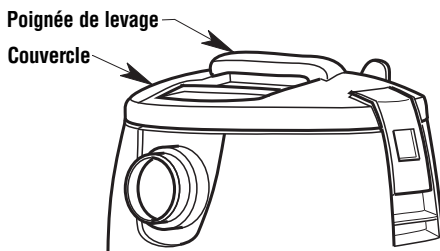
1. Cet aspirateur est équipé d'un drain permettant d'évacuer facilement les liquides. Il suffit de dévisser le capuchon du drain et de soulever le côté opposé de l'aspirateur pour l'incliner légèrement afin de vider le tambour.



2. Une autre option consiste à retirer l'ensemble de tambour de la base d'alimentation afin de pouvoir jeter les débris ou les liquides.
3. Suivez les instructions de la page 47 pour le retrait du tambour.
4. Jetez le contenu du tambour dans une poubelle appropriée.

Transport de l'aspirateur de liquides et de poussières

S'il devient nécessaire de soulever l'aspirateur pour le transporter, utilisez la poignée de levage située sur le dessus du couvercle pour le soulever.

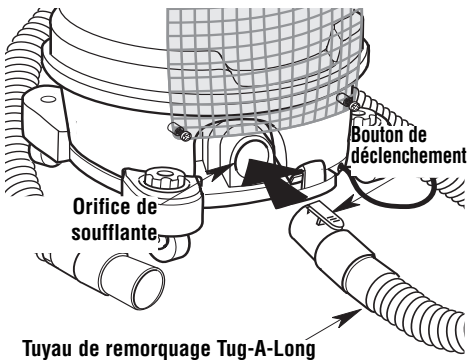


Fonctionnement (suite)

Fonction de soufflante

Votre aspirateur comporte un orifice de soufflante (situé à l'arrière de l'aspirateur). Veuillez réaliser les étapes suivantes pour utiliser votre aspirateur comme une soufflante.

1. Localisez l'orifice de soufflante sur votre aspirateur.
2. Insérez l'extrémité verrouillable du tuyau de remorquage à l'intérieur de l'orifice de soufflante de l'aspirateur. Le tuyau devrait se mettre en place d'un coup sec.
3. Après avoir mis l'aspirateur sous tension, vous serez prêt à l'utiliser comme une soufflante.
4. Pour retirer le tuyau flexible de l'aspirateur, appuyez sur le bouton de déclenchement situé sur l'ensemble de tuyau flexible et tirez sur le tuyau pour le faire sortir de l'admission de l'orifice de soufflante de l'aspirateur.

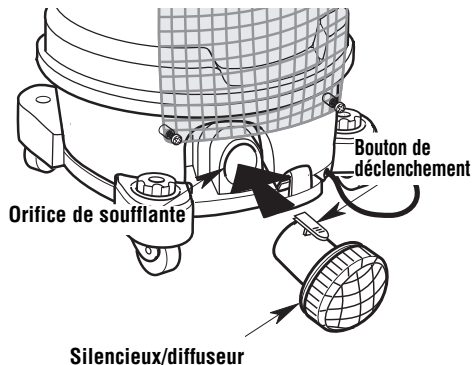


⚠ MISE EN GARDE : portez un masque anti-poussière si votre soufflage crée de la poussière qui pourrait être aspirée.

⚠ MISE EN GARDE : pour réduire le risque d'endommagement de l'ouïe, portez des protecteurs d'oreilles quand vous utilisez l'aspirateur/la souffleuse pendant de longues périodes ou quand vous l'utilisez dans un environnement bruyant.

⚠ AVERTISSEMENT : ne laissez pas l'aspirateur branché lorsque vous ne vous en servez pas.

Remarque : quand il est utilisé pour la fonction d'aspiration, le silencieux/diffuseur doit être installé dans l'orifice de soufflerie comme illustré. L'utilisation du silencieux/diffuseur aidera à disperser le flux d'air d'échappement.



⚠ AVERTISSEMENT : il faut toujours porter des lunettes de protection conformes à la norme ANSI Z87.1 (ou, au Canada, CSA Z94.3) avant de se servir de l'aspirateur comme une soufflerie.

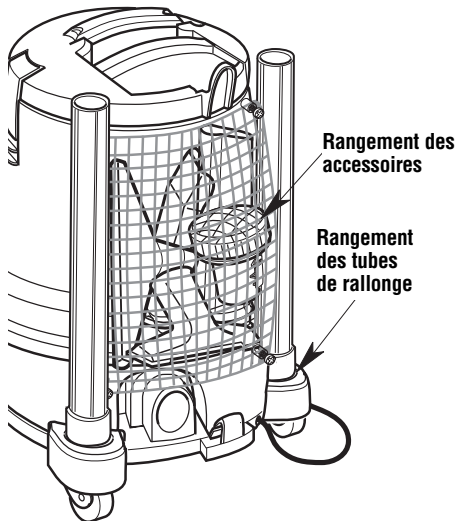
⚠ AVERTISSEMENT : pour ne pas risquer de causer des blessures à d'autres personnes, il est recommandé de leur demander de rester à distance suffisante des débris soufflés.

Rangement des accessoires et du tuyau

Rangement des accessoires

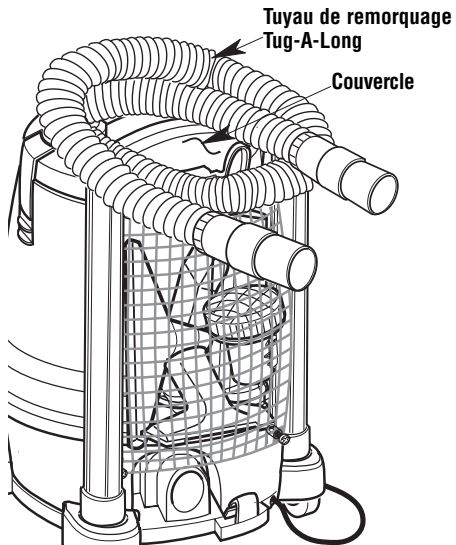
Vos accessoires peuvent être rangés dans le porte-accessoires situé à l'arrière du tambour, ou dans la zone de rangement sur le pied dans le chariot de la base d'alimentation.

Placez les tubes de rallonge dans les zones de rangement des deux pieds situées à l'arrière du chariot de la base d'alimentation.



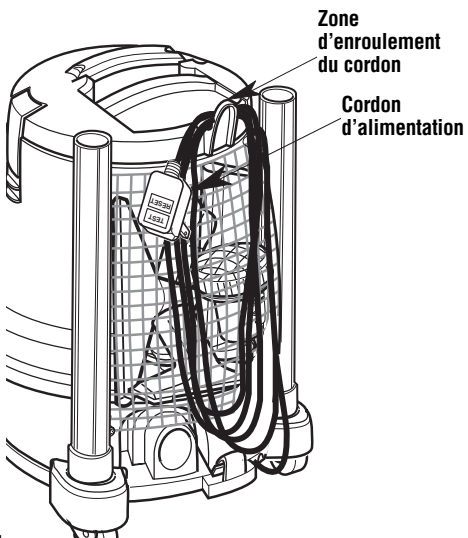
Rangement du tuyau flexible

Le tuyau flexible peut être rangé en l'enveloppant autour de la partie supérieure de l'aspirateur.



Zone de rangement pour l'enroulement du cordon d'alimentation

Lorsque vous avez fini de passer l'aspirateur, débranchez le cordon et enveloppez-le autour de la zone de rangement du cordon en plastique, comme illustré.



Entretien

Filtre

⚠ AVERTISSEMENT : pour réduire le risque de blessure en raison d'une mise en marche accidentelle, débrancher le cordon électrique avant de remplacer le filtre ou de le nettoyer.

Les aspirateurs professionnels de liquides et de poussières 1250RV sont fournis avec un filtre à poussières fines Qwik Lock™ de RIDGID. Des filtres poussières fines Qwik Lock™ de rechange sont disponibles à l'endroit où vous avez acheté votre aspirateur. Demandez le filtre à poussières fines Qwik Lock™ de RIDGID VF5000.

REMARQUE : le filtre est fait de papier de qualité élevée conçu pour intercepter les très petites particules de poussière. Le filtre peut être utilisé pour le ramassage de liquides ou de débris secs. Manipuler le filtre avec précaution lors de son nettoyage ou de son installation. Les plis du filtre peuvent être froissés pendant l'installation, mais cela n'aura aucune influence sur la performance du filtre.

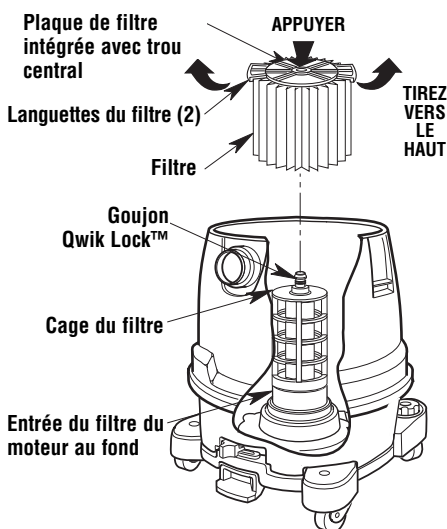
Retrait et installation du filtre

Retrait du filtre :

1. Saisissez les deux languettes du filtre Qwik Lock™, une dans chaque main.
2. Placez un pouce sur le goujon Qwik Lock™, qui dépasse de la plaque de filtre intégrée, tirez sur les languettes du filtre et appuyez en même temps sur le goujon.
3. Cette action aura pour effet que le filtre sera relâché de la cage du filtre. Faites glisser le filtre pour le sortir de la cage.

Installation du filtre :

1. Faites glisser délicatement le filtre Qwik Lock™ par-dessus la cage du filtre et appuyez sur le bord extérieur du filtre jusqu'à ce que le joint d'étanchéité en caoutchouc sur le dessous du filtre soit solidement installé autour de la base de la cage du filtre et contre le fond du tambour.
2. Alignez le petit trou central sur le dessus du filtre au-dessus du goujon Qwik Lock™ sur la cage du filtre. Appuyez fermement sur le dessus du filtre, à proximité du goujon, pour



permettre au filtre de s'emboîter sur l'embout sphérique du goujon. Le filtre est maintenant installé.

REMARQUE : si vous n'installez pas correctement le joint d'étanchéité du dessous, il est possible que des débris passent à côté du filtre.

IMPORTANT : pour éviter d'endommager le moteur et la roue de la soufflerie, toujours réinstaller le filtre avant d'utiliser l'aspirateur pour ramasser des matériaux secs.

Nettoyage d'un filtre sec

REMARQUE : pour obtenir les meilleurs résultats lors du nettoyage d'un filtre sur lequel des poussières se sont accumulées, nettoyer le filtre dans un endroit ouvert. Le nettoyage DOIT être effectué à l'extérieur. Il ne doit pas être fait à l'intérieur d'une résidence.

1. Retirer le filtre de l'aspirateur. Tapoter doucement le filtre contre la paroi intérieure du tambour à poussière. Les débris se détacheront et tomberont.
2. Pour un nettoyage complet d'un filtre sec couvert de particules fines (pas de débris), il est conseillé de placer le filtre sous un robinet comme indiqué à la rubrique « Nettoyage d'un filtre humide ».



Entretien (suite)

Nettoyage d'un filtre humide

Une fois le filtre retiré, faites couler de l'eau au travers du filtre à l'aide d'un tuyau d'arrosage ou d'un robinet. Veillez à ce que la pression de l'eau ne soit pas excessive, car cela pourrait endommager le filtre. Laissez le filtre sécher complètement avant de le ranger.

IMPORTANT : inspecter le filtre après le nettoyage pour s'assurer qu'il n'est pas déchiré ou troué. Ne pas utiliser un filtre déchiré ou troué. Même un petit trou peut laisser beaucoup de poussière sortir de l'aspirateur. Si votre filtre est usé ou endommagé, remplacez-le immédiatement.

Laissez le filtre sécher avant de le réinstaller et de ranger l'aspirateur.

Nettoyage et désinfection de l'aspirateur de liquides et de poussières

Pour conserver l'esthétique optimale de votre aspirateur de poussières et de liquides, nettoyez la surface extérieure de l'aspirateur à l'aide d'un chiffon imbibé d'eau tiède savonneuse.

Procédure de nettoyage du tambour :

1. Vider les débris.
2. Nettoyez soigneusement le tambour à poussière à l'aide d'un savon doux et d'eau tiède.
3. Essuyer avec un chiffon sec.

Avant de ranger l'aspirateur pour une période prolongée, ou dans les cas nécessaires (par exemple après l'aspiration d'eaux usées), vous devez désinfecter le tambour.

Pour désinfecter le tambour :

1. Versez un gallon (presque 4 litres) d'eau et une cuillerée à thé de produit à blanchir à l'eau de javel dans le tambour.
2. Laissez la solution agir pendant 20 minutes, en remuant doucement de temps à autre pour vous assurer que toutes les surfaces du tambour restent humides.
3. Videz le tambour au bout de 20 minutes. Rincez à l'eau jusqu'à ce que l'odeur d'eau de javel ait disparu. Laissez sécher le tambour complètement avant de sceller le moteur sur le tambour.

Entretien du cordon d'alimentation

Une fois votre travail d'aspiration terminé, débranchez le cordon d'alimentation et enroulez-le autour du couvercle du moteur. Si le cordon est endommagé, il doit être remplacé par le fabricant ou son représentant, ou par une autre personne ayant les compétences techniques nécessaires, afin de réduire le risque d'accident.

Si l'interrupteur de courant en cas de fuite empêche l'aspirateur de fonctionner, il faut renvoyer l'aspirateur dans un centre de service après-vente en vue d'examen et de réparation.

Rangement

Avant de ranger votre aspirateur, vous devez vider et nettoyer le tambour. Vous devez également enrouler le cordon d'alimentation autour de l'appareil et ranger le tuyau tel que cela décrit dans le présent mode d'emploi. Vous devez garder les accessoires au même endroit que l'aspirateur de façon à pouvoir y accéder facilement. Vous devez ranger l'aspirateur à l'intérieur d'un bâtiment.

Roulettes et roues

Si le chariot commence à grincer ou s'il devient difficile de le faire rouler, appliquer deux ou trois gouttes d'huile universelle sur chaque roue au niveau de l'essieu. Si les roulettes font du bruit, appliquer une goutte d'huile sur l'arbre pour les rendre silencieuses.

Cadre et poignées

La poignée en métal est peinte pour la protéger contre la rouille. Toutefois, il faut en retirer les liquides et les débris corrosifs en contact avec la poignée avec un chiffon non abrasif.

⚠ AVERTISSEMENT : Pour assurer la **SÉCURITÉ** et la **FIABILITÉ** des produits, toutes les autres opérations d'entretien, de réparation et de réglage doivent être effectuées par des centres de service après-vente agréés, en utilisant toujours des pièces de rechange RIDGID.





Remarques



Pièces de rechange


Aspirateur de liquides et de poussières professionnel de 12 gallons Modèles numéro 1250RV0

Les pièces RIDGID sont disponibles sur notre site Web à l'adresse suivante : www.ridgidparts.com

Pour commander, utiliser toujours le numéro de pièce – pas le numéro de légende

AVERTISSEMENT

RÉPARATION DE L'ASPIRATEUR DE LIQUIDES ET DE POUSSIÈRES DOUBLEMENT ISOLÉ

Dans un aspirateur de liquides et de poussières doublement isolé, deux systèmes d'isolation sont fournis au lieu de la mise à la terre. Aucun moyen de mise à la terre n'est prévu sur un appareil électro-ménager doublement isolé, et il ne faut pas en ajouter. La réparation d'un aspirateur de liquides et de poussières doublement isolé nécessite une connaissance approfondie du système et la prise de précautions extrêmes. Une telle réparation ne doit être entreprise que par un technicien agréé. Les pièces de rechange pour un aspirateur de liquides et de poussières doublement isolé doivent être les mêmes que les pièces qu'elles remplacent. Les mots « DOUBLE INSULATED » (Doublement isolé) figurent sur l'aspirateur de liquides et de poussières doublement isolé, et le symbole  (un carré à l'intérieur d'un autre carré) peut également figurer sur les appareils.

Pour réduire le risque de blessures causées par les chocs électriques, débranchez le cordon d'alimentation avant de réparer les éléments électriques de l'aspirateur de liquides et de poussières.

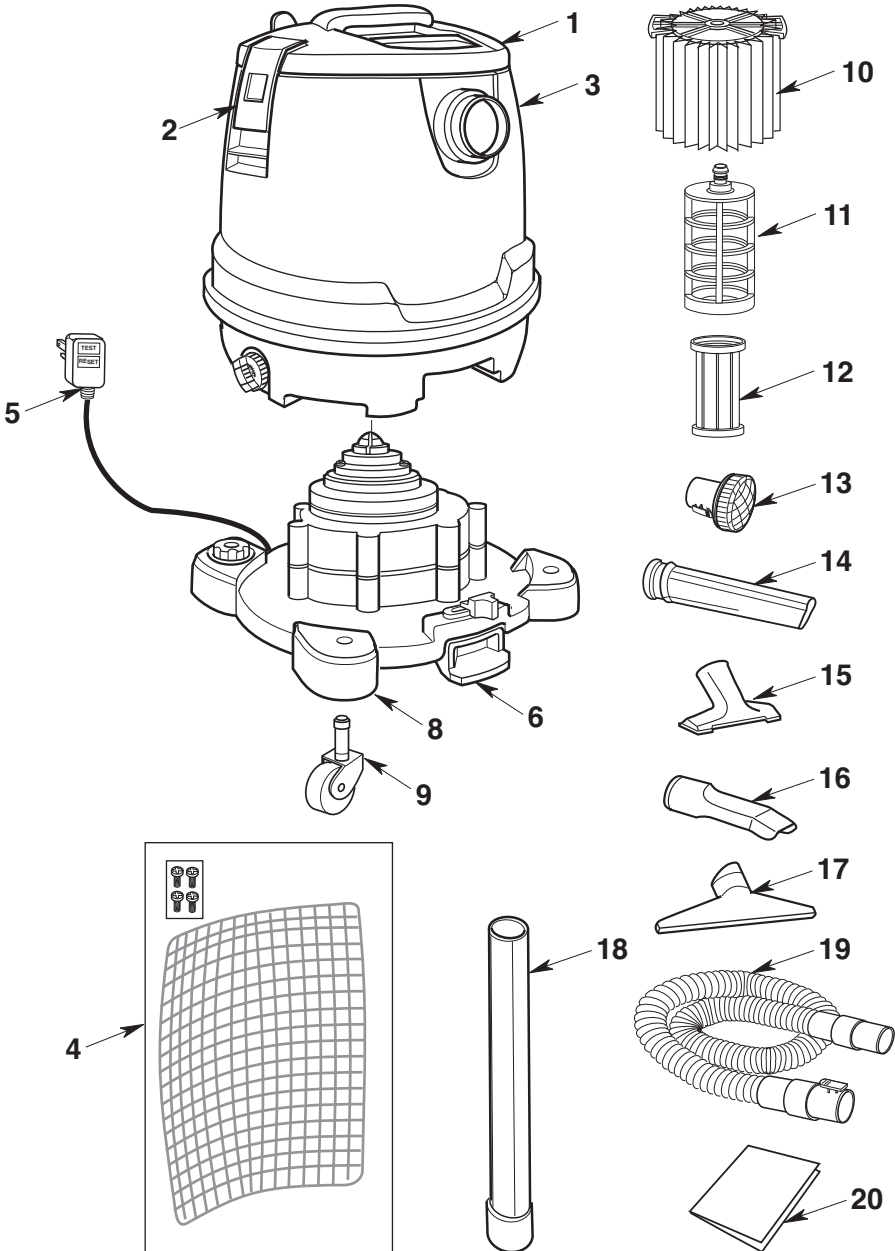
Légende N°	Pièce N°	Description
1	510362	Ensemble de couvercle (inclut la poignée de transport)
2	510328	Ensemble de verrous de tambour
3	510363	Ensemble de verrous de tambour complet (comprend les verrous, l'admission, l'étiquette et l'enjoliveur de l'orifice de drainage)
4	510364	Porte-accessoire et quincaillerie de montage
5	835951	Cordon d'alimentation/fiche de l'interrupteur de courant en cas de fuite
6	835655-1	Actionneur d'interrupteur
7	835665	Disjoncteur (non illustré)
8	510331	Ensemble de base d'alimentation
9	73102	Roulettes de 2 po (roue unique)
10	VF5000	† Filtre
11	835648	Cage du filtre
12	510365	Ensemble de tube de flotteur
13	830675-2	† Silencieux/diffuseur
14	VT2502	† Suceur plat
15	VT2509	† Suceur à usages multiples
16	VT2503	† Suceur pour véhicules
17	VT2510	† Suceur humide
18	VT2508	† Baguette de rallonge
19	831337-9	Tuyau flexible verrouillable de qualité supérieure
20	SP6961	Mode d'emploi

† Ces pièces de rechange sont en vente partout où des aspirateurs de liquides et de poussières sont en vente.

Pièces de rechange (suite)

Aspirateur de liquides et de poussières professionnel de 12 gallons
Modèles numéro 1250RV0

Les pièces RIDGID sont disponibles sur notre site Web à l'adresse suivante : www.ridgidparts.com



RIDGID®



- **Ce qui est couvert par la garantie**

Les aspirateurs de liquides et de poussières RIDGID® sont garantis sans défauts de matériau ou de façon.

- **Durée de la garantie**

Cette garantie est valable pendant toute la durée de vie de l'aspirateur de liquides et de poussières RIDGID®.

- **Le service après-vente**

Pour tirer parti de cette garantie, le produit complet doit être renvoyé en port payé à RIDGE TOOL COMPANY, Elyria, Ohio ou bien à un quelconque CENTRE DE SERVICE APRÈS-VENTE RIDGID® AGRÉÉ. Les clés à tube et autres outils à main devront être renvoyés au point de vente où ils ont été achetés.

- **Les mesures de rectification des problèmes**

Les aspirateurs de liquides et de poussières sous garantie seront réparés ou remplacés, au choix de Ridge Tool Company, et ils vous seront renvoyés gratuitement; ou, si au bout de trois tentatives de réparation ou de remplacement pendant la période de garantie, l'aspirateur de liquides et de poussières est toujours défectueux, vous pourrez demander à obtenir un remboursement intégral de votre prix d'achat.

- **Ce qui n'est pas couvert par la garantie**

Les défaillances causées par une utilisation abusive ou non conforme aux instructions, ou par l'usure ordinaire, ne sont pas couvertes par cette garantie. **RIDGE TOOL COMPANY N'EST RESPONSABLE D'AUCUN DOMMAGE SECONDAIRE OU INDIRECT.**

- **Effet des lois locales sur cette garantie**

Au Canada, certaines provinces ne permettent peut-être pas l'exclusion ou la limitation des dommages secondaires ou indirects; par conséquent, il est possible que l'exclusion ou la limitation susmentionnée ne s'applique pas à vous. Cette garantie vous confère des droits contractuels spécifiques, et vous disposez peut-être d'autres droits qui peuvent varier d'une province à l'autre.

- **Aucune autre garantie expresse ne s'applique**

La présente GARANTIE À VIE COMPLÈTE est la garantie unique et exclusive concernant les produits RIDGID®. Aucun salarié, agent, distributeur ou autre n'est autorisé à modifier cette garantie ou à offrir une quelconque autre garantie de la part de Ridge Tool Company.

N° de stock 1250RV

Numéro de modèle 1250RV0

Les numéros de modèle et de série sont indiqués à l'arrière de l'ensemble de base d'alimentation. Il est recommandé d'inscrire ces deux numéros en lieu sûr pour référence future.

**EN CAS DE QUESTIONS OU POUR OBTENIR DES INFORMATIONS,
VEUILLEZ NOUS CONTACTER AU :**

**1-800-4-RIDGID (1-800-474-3443) depuis les États-Unis et le Canada
01-800-701-9811 depuis le Mexique**

www.ridgidvac.com

Prière d'avoir votre numéro de modèle ainsi que votre numéro de série à portée de la main avant de nous appeler.

© 2015 Emerson


EMERSON™
Professional Tools

Emerson Tool Company
Une division de
Emerson Electric Co.