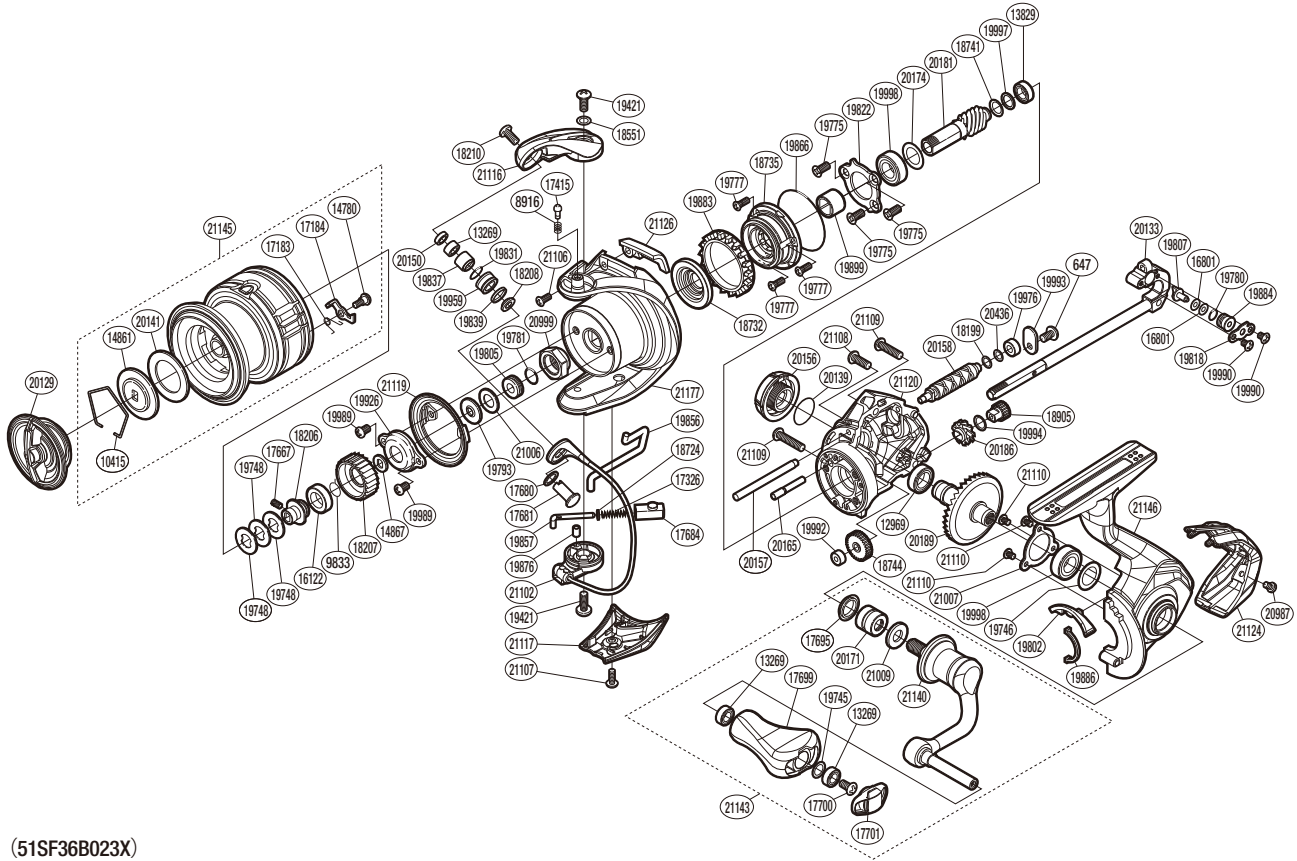


SHIMANO

VANFORD

VFC2000HGF



(51SF36B023X)

#	Part No.	Description	#	Part No.	Description	#	Part No.	Description
647	10QG5	Screw	19745	104FH	Washer	20141	10E7L	Drag Washer
8916	10CH0	Click Spring	19746	101AY	Washer	20150	10E44	Line Roller Collar
9833	107V2	Ratchet Spring	19748	10DHG	Washer	20156	10RSE	Handle Screw Cap
10415	10B6L	Drag Washer Retainer	19775	100WY	Screw	20157	10E60	Oscillating Guide A
12969	107FA	Ball Bearing	19777	100WT	Screw	20158	10E62	Worm Shaft
13269	104VX	Ball Bearing	19780	100WX	O Ring	20165	10E5Q	Idle Gear B Shaft
13829	104JZ	Ball Bearing	19781	10DXE	O Ring	20171	10DZE	Handle Shaft Cover B
14780	10A6F	Screw	19793	1017W	Bearing Water Proof	20174	10E55	Washer
14861	10BBM	Key Washer	19802	1017Y	Bail Trip Strike	20181	10RU6	Pinion Gear
14867	103PE	Spool Support	19805	10RDL	Main Shaft Collar	20186	1002D	Idle Gear B Large
16122	10J3F	Spool Bushing	19807	1018D	Oscillating Pawl	20189	10TGA	Drive Gear
16801	10K9C	Spacer	19818	1018Z	Oscillating Pawl Cover	20436	100CW	Washer
17183	10BQF	Drag Click Spring	19822	10DWD	Bearing Retainer	20987	10RX2	Screw
17184	102H5	Drag Click	19831	1009E	O Ring	20999	100RN	Rotor Nut
17326	10R2N	Bail Spring	19837	1009K	Line Roller Bushing	21006	100RU	Washer
17415	106ZC	Click Pin	19839	10RFZ	Line Roller Spacer	21007	100F9	Bearing Retainer
17667	10PN3	Set Screw	19856	10E5Y	Bail Trip Lever	21009	100RR	Washer
17680	1018Z	Washer	19857	10SAN	Bail Spring Guide A	21102	10STU	Bail Assembly
17681	10TPC	Line Roller Support	19866	1009Z	O Ring	21106	103NA	Screw
17684	107AB	Bail Spring Guide B	19876	1009B	Bail Spring Guide A Bush	21107	10SH9	Screw
17695	10PXV	Handle Shaft Seal	19883	10QXQ	Friction Ring	21108	10SHA	Screw
17699	10328	Handle Knob	19884	1009L	Oscillating Slider Bushing	21109	10RX3	Screw
17700	10LFA	Screw	19886	1009W	Flange Water Proof	21110	10SH0	Screw
17701	10TNJ	Handle Knob Seal	19899	1009Y	Roller Clutch Inner	21116	10SMC	Bail Arm
18199	10ECK	Spacer	19926	1076N	Rotor Nut Lock Plate	21117	10RAB	Bail Hold Support Guard
18206	10THY	Bearing Bushing	19959	1009A	Line Roller	21119	100AS	Rotor Brim
18207	10SYS	Drag Click Ratchet	19976	1009C	Worm Bushing (Rear)	21120	10009	Body
18208	10TJM	Spacer	19989	103GW	Screw	21124	10S0U	Rear Protector
18210	10TLJ	Screw	19990	1055H	Screw	21126	10RAC	Counter Weight Cover
18551	10K96	Washer	19992	1009G	Worm Bushing (Front)	21140	10STX	Handle Shank Assembly
18724	101D9	Spring Guide A Support	19993	10S7C	Worm Shaft Retainer	21143	10T2S	Handle Assembly
18732	101D5	Rotor Ring	19994	10TBA	Washer	21145	10T30	Spool Assembly
18735	10S2L	Roller Clutch Assembly	19997	10HE5	Washer	21146	10STZ	Side Cover Assembly
18741	10SYU	Washer	19998	10DZB	Ball Bearing	21177	10RWX	Rotor Assembly
18744	10DK0	Idle Gear	20129	10E61	Drag Knob Assembly			
18905	10021	Idle Gear B Small	20133	101HM	Main Shaft Assembly			
19421	10RFW	Screw	20139	10E3K	O Ring	18054	10G4L	Anti Line Slip Sticker

Please note that the number of adjusting washers may not be the same as shown in the exploded views.
(Adjustment will vary with each individual product.)

(230607)_006