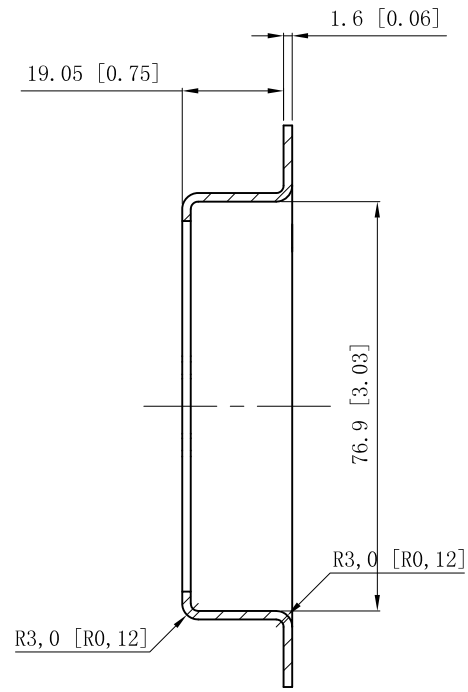
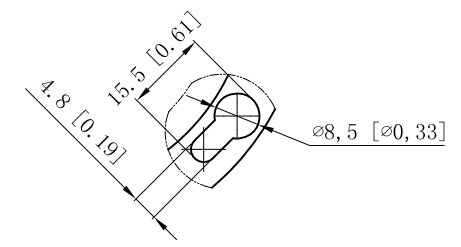
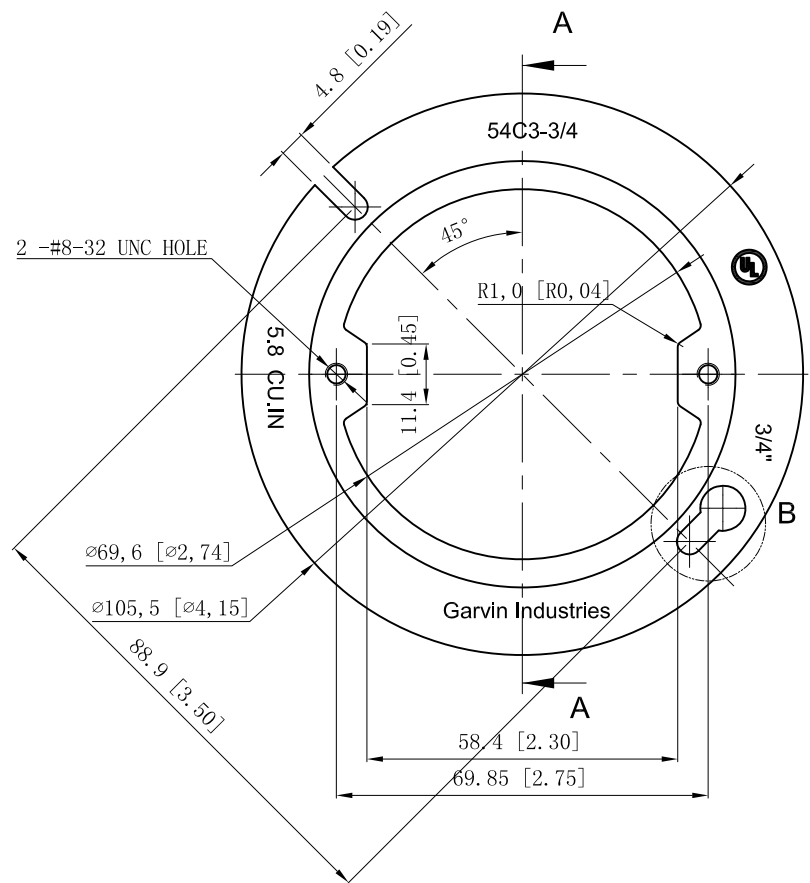


SIDES	BOTTOM
Material: Steel-0.0625"-(G60 or C. R. S) Galvanized	



VIEW A-A



VIEW B

This data sheet is for reference only .GARVIN INDUSTRIES reserves the right to make changes to the design without prior notice.

DESCRIPTION
TRADE REFERENCE TERMS

STANDARD PACKING	<h1 style="text-align: center;">GARVIN INDUSTRIES</h1> <h2 style="text-align: center;">4"OCTAGON BOX COVERS</h2>		
25 PCS			
	TITLE	54C3-3/4	
	SIZE	DWG NO.	REV
	A4		
	DATA SHEET		