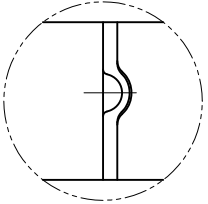
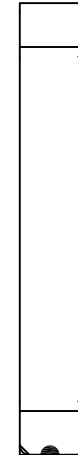
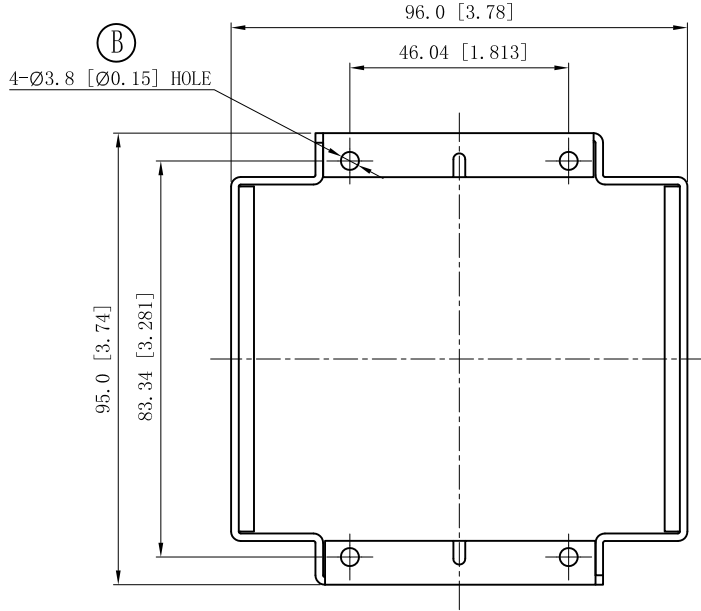
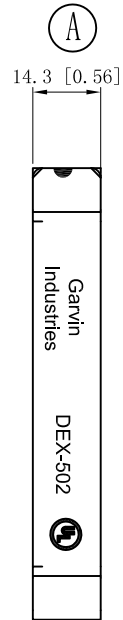
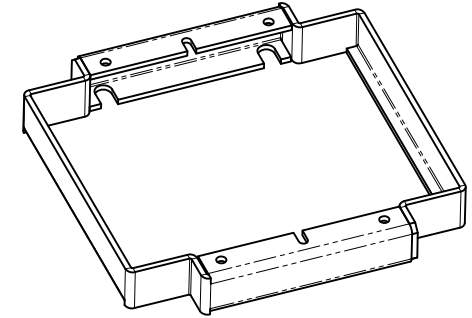
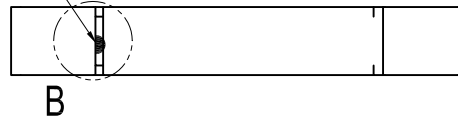


SIDES	BOTTOM
4 PCS #6-32×1-1/2 screws , per polybag	
Material:Steel-0.0625"-G60 Galvanized	



WELDING STYLE DETAIL VIEW B

2 PLACES SPOT WELDING



DESCRIPTION
TRADE REFERENCE TERMS

This data sheet is for reference only .GARVIN INDUSTRIES reserves the right to make changes to the design without prior notice.

STANDARD PACKING	GARVIN INDUSTRIES		
25 PCS			
SIZE	DWG NO.	TITLE	REV
A4		DEX-250	D
DATA SHEET			