



MODEL NO.

B2608W
Universal Goalbak
BALL RETURN SYSTEM

OWNER'S MANUAL

1. **Read this manual carefully before starting assembly.** Read each step completely before beginning each step.
2. **Some smaller parts may be shipped inside larger parts.** Check inside all parts and cartons before assembling or ordering parts.

Please Do Not Return This Product To The Store!

Contact Escalade® Sports customer service department at:

Phone: 1-888-USA-GOAL Toll – Free!

Fax: 1-866-873-3536 Toll – Free!

E-mail: basketball@escaladesports.com

Mailing Address (correspondence only):

Escalade Sports

PO Box 889

Evansville, IN 47706

Please visit our World Wide Web site at: www.escaladesports.com

ON-LINE TROUBLE SHOOTING

TECHNICAL ASSISTANCE

ON-LINE PARTS REQUESTS

FREQUENTLY ASKED QUESTIONS

ADDITIONAL ESCALADE® SPORTS PRODUCT INFORMATION

ESCALADE®
SPORTS

2L-7149-00

Escalade® Sports products may be manufactured and/or licensed under the following patents:
6419596, 6179733, 5919102, 5071120, 4798381, 4424968, D326128, 7244046

Additional patents may be pending. One or more of the listed patents and/or pending patents may cover specific product.

BALL RETURN NET INSTALLATION INSTRUCTIONS

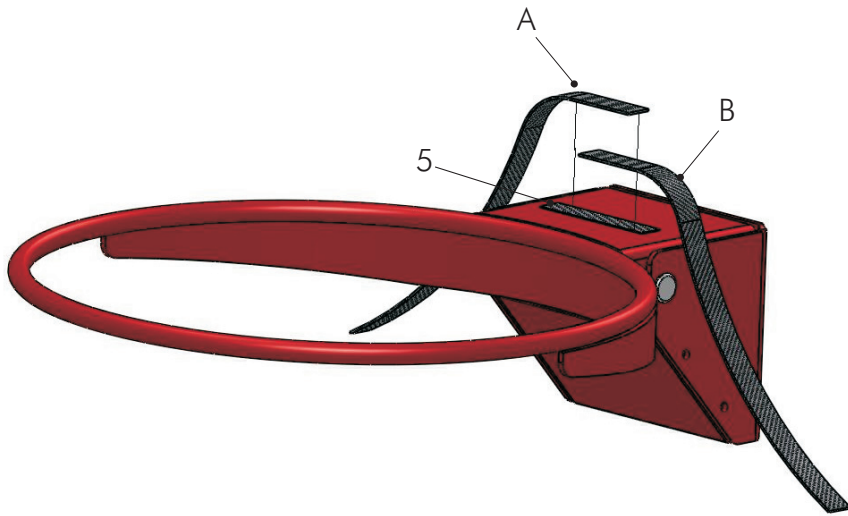


Figure 1

STEP 1:

1. Attach Self adhesive Velcro Strip (#5) on the top of rim as shown in Figure 1& 3. Make sure to clean area before adhering.
2. Attach two sided velcro strap (B) that's sewn to the net and attach it to the velcro strip (#5). Make sure Goalbak logo on net is facing the court.
3. Attach one sided velcro strap (A) that's sewn to the net and attach it to velcro strap (B).

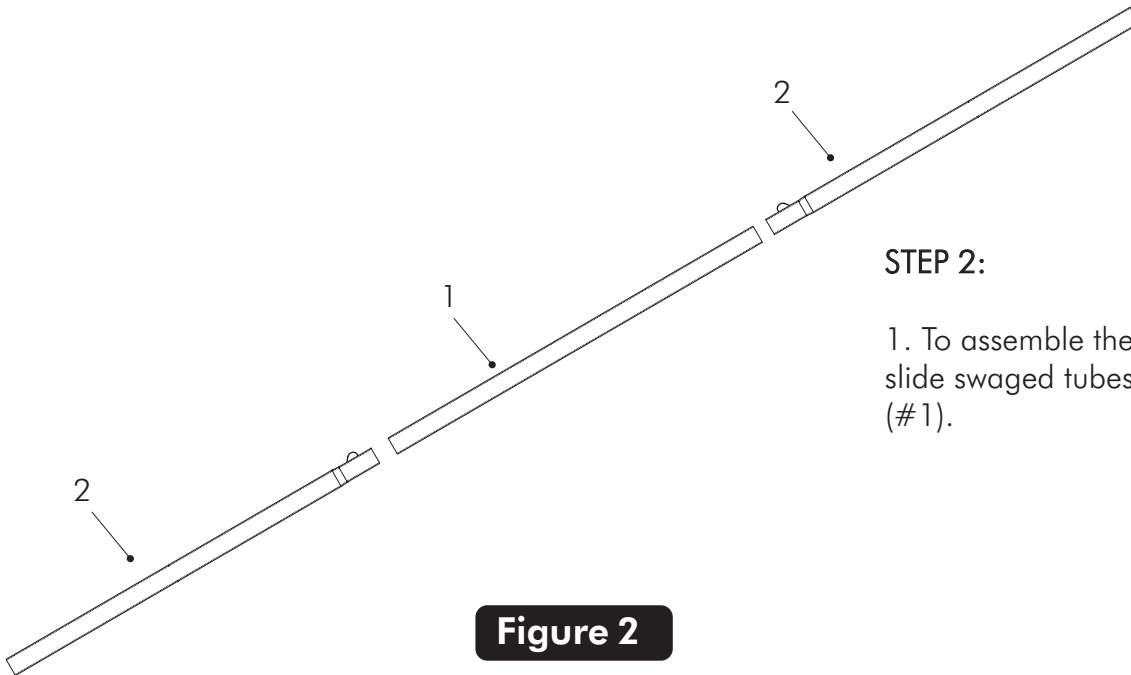


Figure 2

STEP 2:

1. To assemble the 3-piece tube support slide swaged tubes (#2) into straight tube (#1).

STEP 3:

1. Slide tube assembly from last step into net as shown in Figure 3.

2. Secure by closing velcro strap (C).

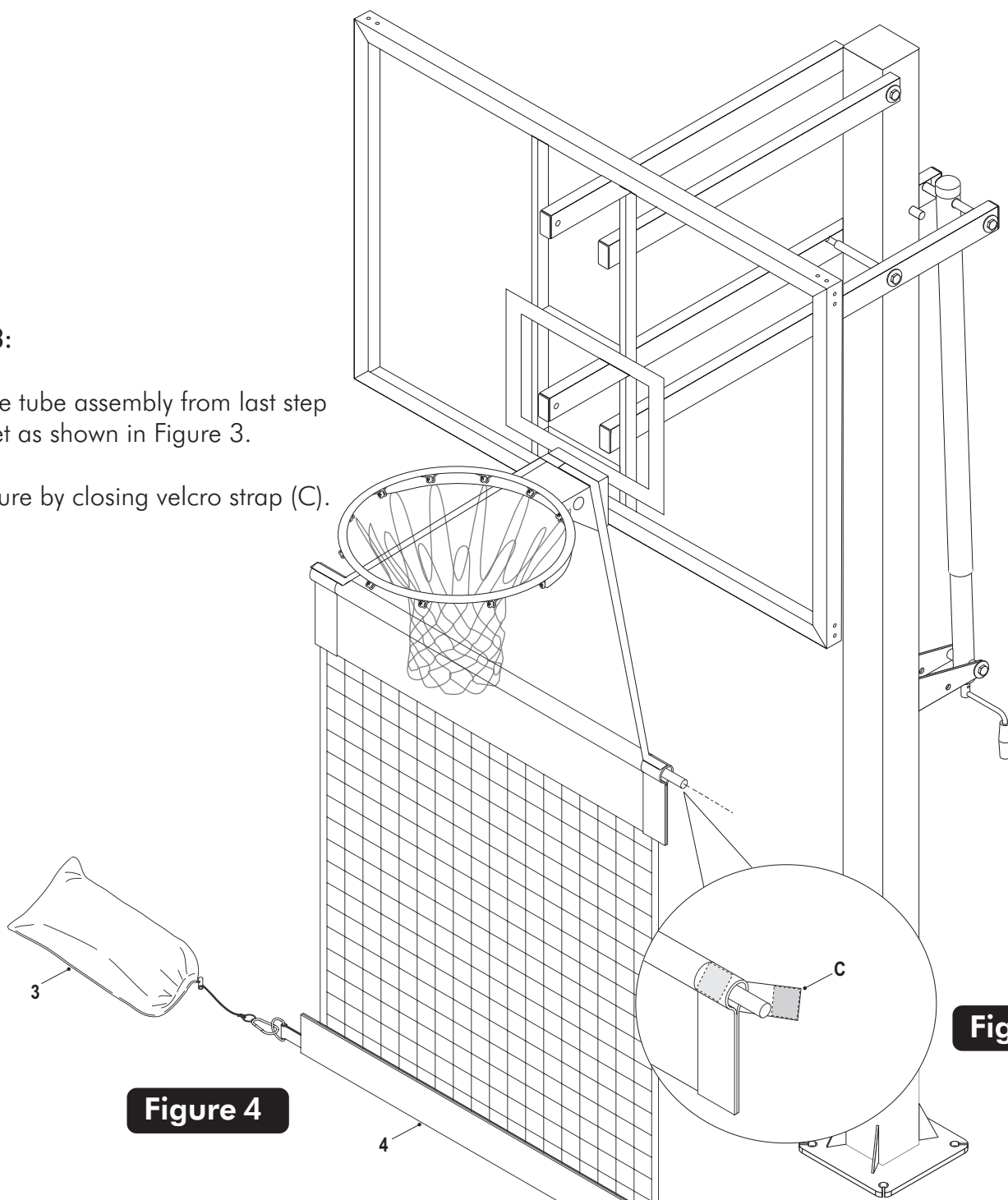


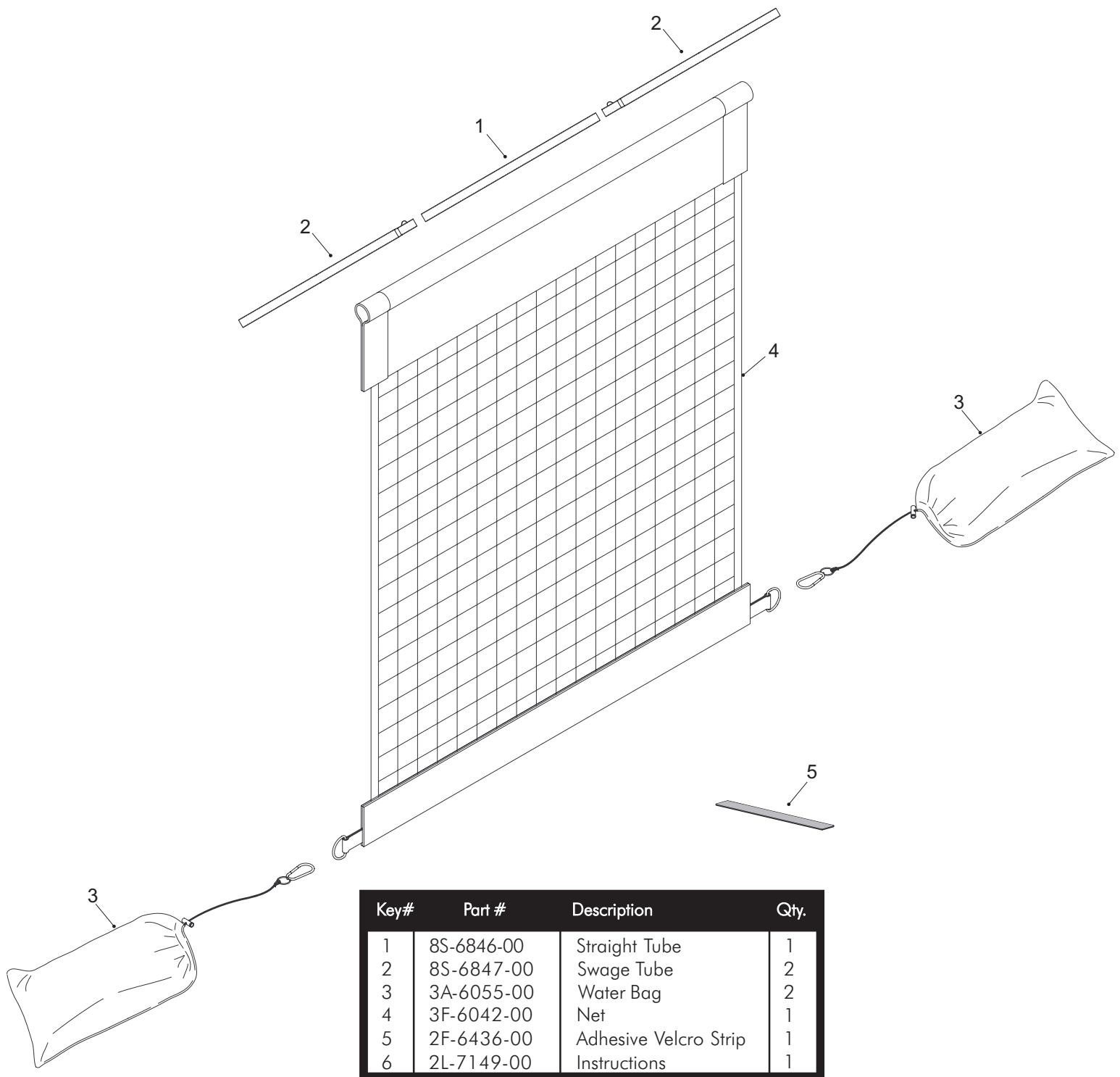
Figure 4

Figure 3

STEP 4:

1. Insert water bag inside mesh bag and fill with water to weight net down.

2. Clip water bags (#3) to each side of net (#4) as shown in Figure 4.



Key#	Part #	Description	Qty.
1	8S-6846-00	Straight Tube	1
2	8S-6847-00	Swage Tube	2
3	3A-6055-00	Water Bag	2
4	3F-6042-00	Net	1
5	2F-6436-00	Adhesive Velcro Strip	1
6	2L-7149-00	Instructions	1

90 DAY LIMITED WARRANTY

WARRANTY COVERAGE: Escalade® Sports warrants to the original Consumer Purchaser that any Product of its manufacture is free from defects in material and workmanship. THIS WARRANTY IS VOID IF THE PRODUCT HAS BEEN DAMAGED BY ACCIDENT, UNREASONABLE USE, NEGLIGENCE, IMPROPER SERVICE, FAILURE TO FOLLOW INSTRUCTIONS PROVIDED WITH THE PRODUCT OR OTHER CAUSES NOT ARISING OUT OF DEFECTS IN MATERIAL OR WORKMANSHIP.

NOT COVERED BY THIS WARRANTY

Any merchandise subjected to abuse, negligence, improper installation, vandalism, acts of God, alteration of product, or any other events beyond the control of Escalade® Sports.

Contact Escalade Sports Customer Service department at:

Phone: 1-888-USA-GOAL / Warranty Dept.

Or Write Escalade® Sports at: Escalade® Sports - P.O. Box 889, Evansville, IN 47706 - Attn: Warranty Dept.

Or E-mail us at: basketball@escaladesports.com