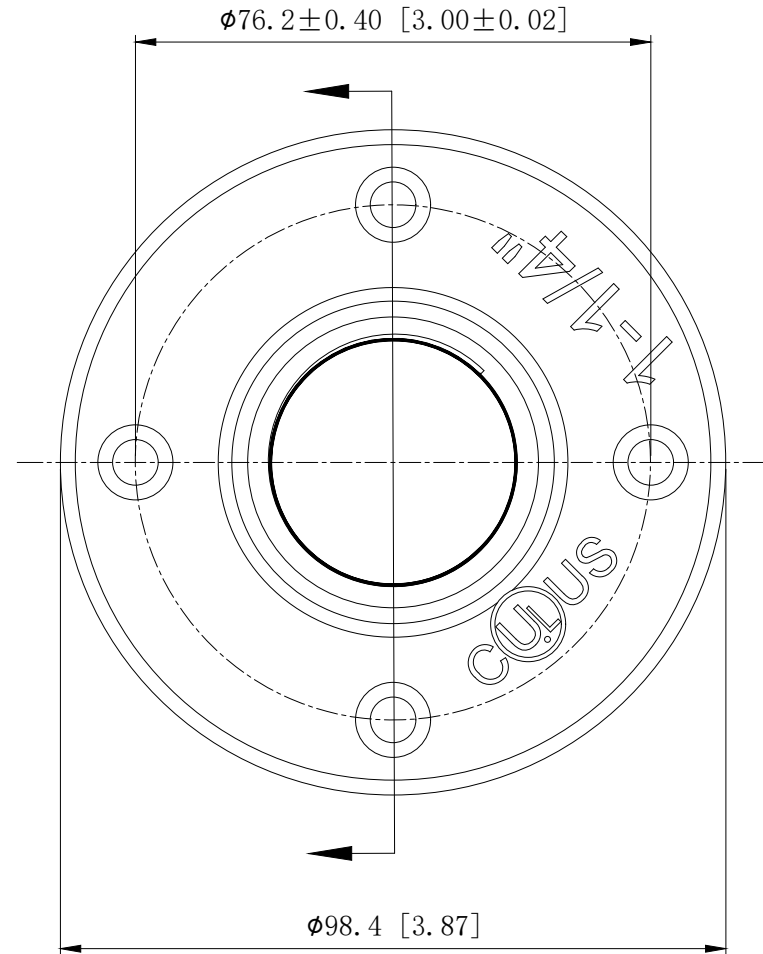
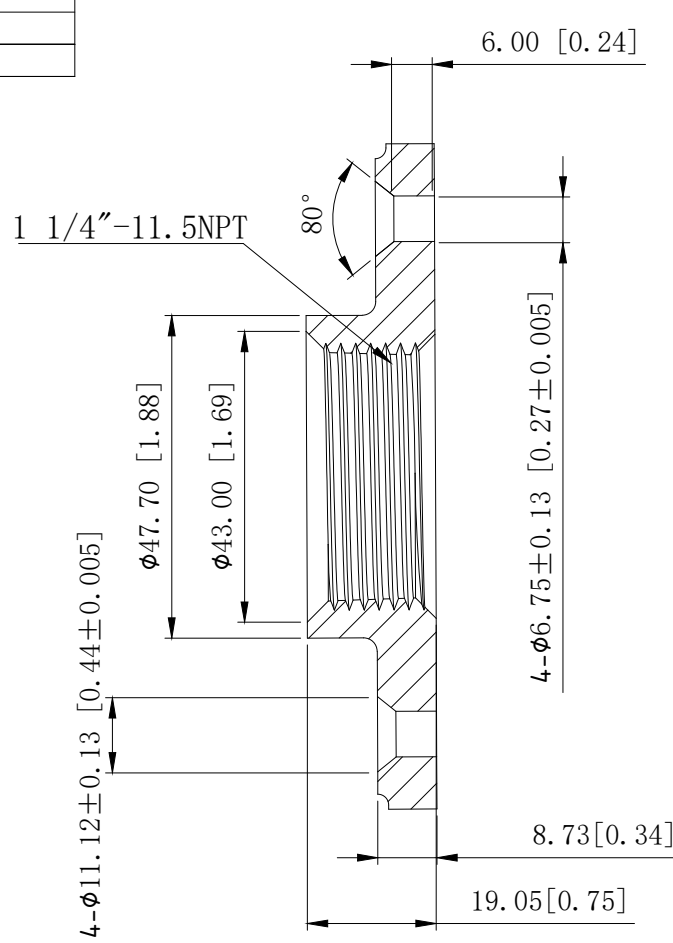


SIDES

BOTTOM

Material:Malleable, zinc plated



This data sheet is for reference only .GARVIN INDUSTRIES reserves the right to make changes to the design without prior notice.

DESCRIPTION

STANDARD PACKING

25 PCS

GARVIN INDUSTRIES

TITLE

SIZE

A4

DWG NO.

FF125

REV

B

TRADE REFERENCE TERMS

DATA SHEET