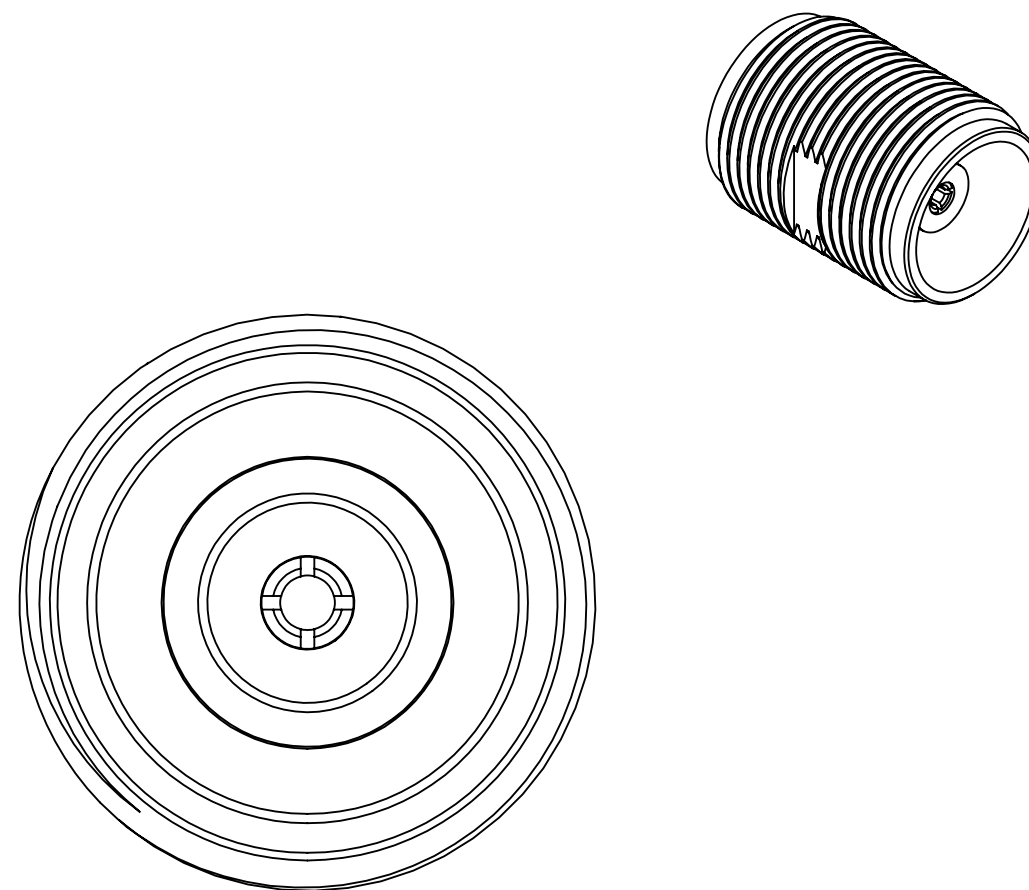
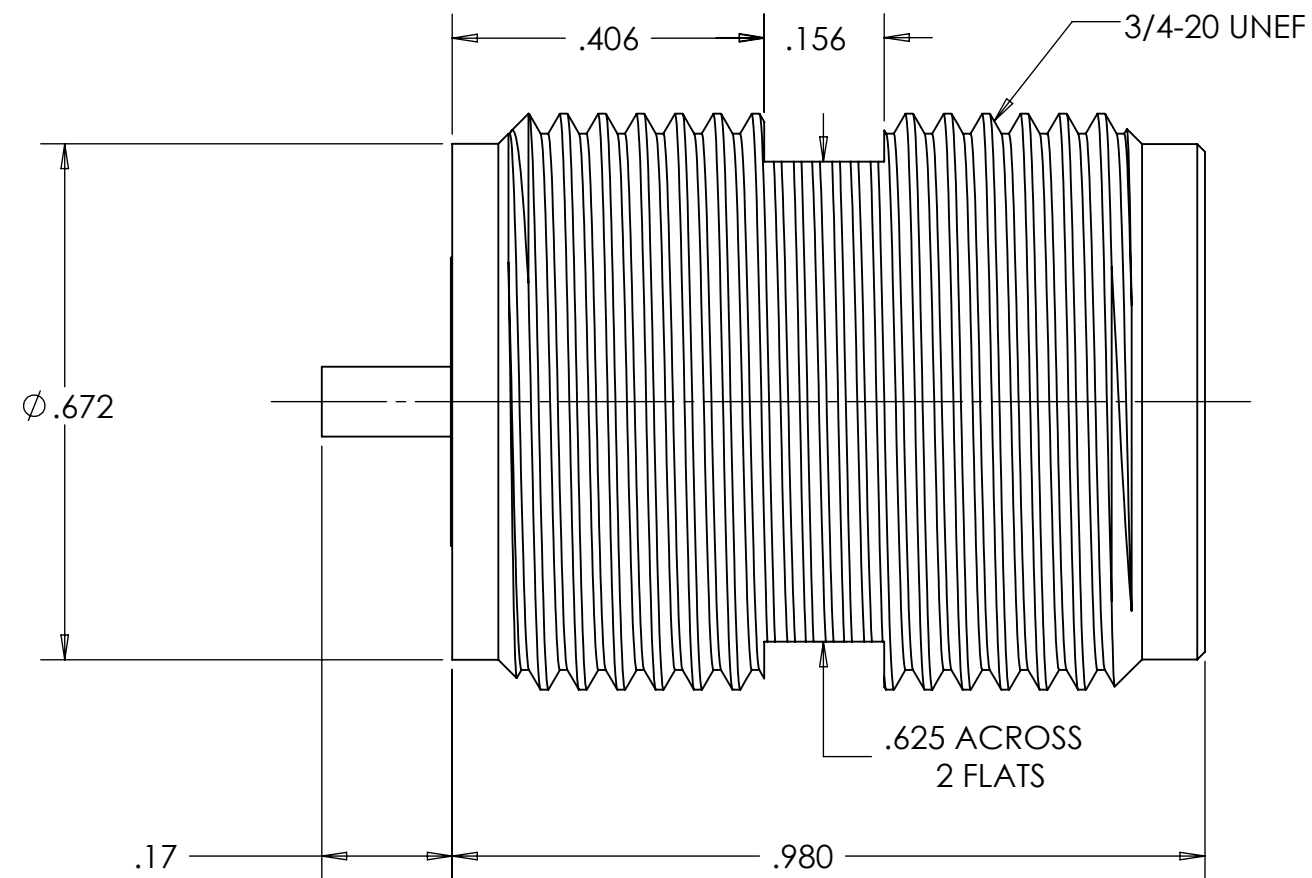



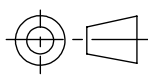
This document, including the design, configuration and mechanical features revealed herein are the sole, confidential and proprietary property of TRU Corporation. Reproduction or use thereof, in whole or part, is prohibited without the prior written consent of TRU Corporation.

REV.	DESCRIPTION	DATE	APPROVED
-	ORIGINAL ISSUE	11/22/10	TRC



NOTES:

- UNLESS OTHERWISE SPECIFIED ALL DIMENSIONS ARE REFERENCE ONLY.
- MATERIAL
 BODY: BRASS, NICKEL PLATED
 CONTACT: BECU, SILVER PLATED
 INSULATOR: PTFE
 PRESS RING: BRASS, NICKEL PLATED
 GASKET: SILICONE RUBBER
- ALEKTRONICS P/N D0790

MATERIAL	DO NOT SCALE DRAWING	DRAWN TRC	DATE 11/19/10	 TRU CORPORATION 245 LYNNFIELD STREET, PEABODY, MA 01960 The Custom Interconnect Leader™
	UNLESS OTHERWISE SPECIFIED: DIMENSIONS ARE IN INCHES	ENG APPR. TRC	DATE 11/22/10	
COMMENTS:	TOLERANCES: FRACTIONS: ±1/64 .XX : ±.01 .XXX: ±.005 ANGLES: ±1/2°	MFG APPR.	DATE	TITLE: HN(f) RECEPTACLE, BLKHD
	MACHINED SURFACES: 63/√	OTHER APPR. AM	DATE 11/22/10	SIZE B
surface area: sq inch	weight: lbs	THIRD ANGLE PROJECTION 		DWG. NO. TRU-11587
		CAGE CODE: 92180	SCALE: 4:1	REV -
		SHEET 1 OF 1		