



JUNO HD COMMERCIAL TRAC

277V, 2-Circuit/2-Neutral Track System

TRACK SECTIONS, JOINERS, FEEDS, ACCESSORIES & FIXTURES

HTEK Series

Project: _____

Fixture Type: _____

Location: _____

Contact/Phone: _____

PRODUCT DESCRIPTION

Juno HD Commercial 2-Circuit/2-Neutral Trac is ideal for 277V applications. The independent neutrals guarantee that the two circuits are completely isolated. The potential for cross-circuit interference and neutral harmonics is completely eliminated. The HD Commercial 2-Circuit/2-Neutral Trac's extruded aluminum construction and continuously crimped conductors ensure mechanical strength and electrical reliability. Its integral suspension rail and predrilled mounting holes simplify installation. A wide variety of Juno track fixtures may be specified for use with the HD Commercial Trac system.



PRODUCT SPECIFICATIONS

Construction Rugged, heavy gauge extruded aluminum channel • Firmly crimped insulation and conductors for superior mechanical strength and electrical reliability • Integral mounting channel simplifies installation • Integral polarity ridge ensures proper connector and fixture installation • Fixtures supported by aluminum track extrusion to provide maximum weight bearing capacity and to ensure reliable contact with electrical conductors • Available in white or black painted finishes.

Electrical Two circuit operation with independent neutrals • Each circuit is rated for 20 Amp, 277 Volt operation • Track extrusion serves as 100% capacity ground • May be powered using a number of standard electrical feeds, or current limiting end feeds if necessitated by local codes.

Fixture Adapter System specific and assembled to track fixture • Integrally polarized construction to prevent reverse installation – only allows insertion in proper orientation • Rotary circuit selector enables simple switching between circuits • Integral on/off switch enables individual fixtures to be switched for servicing • See compatible track fixture selection on page 2 – contact factory for additional fixture choices.

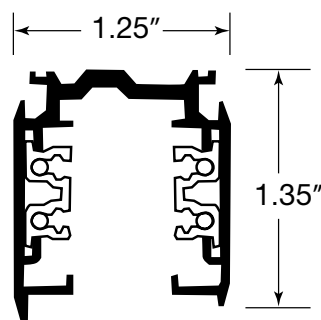
Labels UL Listed • cUL Listed • Current Limiting Feeds approved by the California Energy Commission to meet requirements of Title 24 • Current Limiting Feeds comply with ASHRAE 90.1 and IECC Section 805.5.1.4 for track current limiting.

WARRANTY - 1-year limited warranty. This is the only warranty provided and no other statements in this specification sheet create any warranty of any kind. All other express and implied warranties are disclaimed. Complete warranty terms located at: www.acuitybrands.com/support/warranty/terms-and-conditions

Note: Actual performance may differ as a result of end-user environment and application.

Specifications subject to change without notice.

DIMENSIONS



PRODUCT INSTALLATION

Installation May be installed in linear or grid configurations (see examples on page 2) • Track sections can be cut in the field • Conductors of field cut track sections must be bent using XTSV12 Bending Tool to ensure proper electrical connections.

Mounting May be mounted directly to hard ceiling using suitable anchors (supplied by others) at pre-drilled mounting holes or using SKB10 Mounting Clip and integral suspension rail • May be mounted to 15/16" T-bar ceiling using appropriate SKBT12 or SKBX12 Mounting Clips and integral suspension rail • Can also be suspended from ceilings using SPUS Pendant Stem Kits, SKB34 Cable Suspension Kits or 1/4"-20 threaded rod (by others) • Mounting points should be spaced no further than 4' apart and within 6" of any track feed point, junction or end point.

JUNO HD COMMERCIAL TRAC

277V, 2-Circuit/2-Neutral Track System

TRACK SECTIONS, JOINERS, FEEDS, ACCESSORIES & FIXTURES

HTEK Series

TRACK SECTIONS

PRODUCT CODES

Catalog Number	Description	Finish	Actual Length
HTEK4 4FT BL	4' Track Section	Black	48"
HTEK4 4FT WH	4' Track Section	White	48"
HTEK4 8FT BL	8' Track Section	Black	96"
HTEK4 8FT WH	8' Track Section	White	96"
HTEK4 12FT BL	12' Track Section	Black	144"
HTEK4 12FT WH	12' Track Section	White	144"

HD Commercial Trac Compatible Fixtures

A variety of Juno Trac fixture designs can be adapted to operate with the Juno HD Commercial Trac system. Each fixture has a factory-assembled 2-circuit track adapter that is uniquely keyed to the 277V HD Commercial Trac system. **To order, select alternate HTEK Adapter.**

Compatible fixture families include (consult factory for additional choices):

HTEK Compatible:

R610L, R612L Integral Driver LED Cylinders

T255L LED Cylindra

T256L, T257L, T258L, T259L, T260L LED Flood/Wall Washers

T261L, T262L, T263L, T265L, T267L LED Conix II Series

T283L, T285L, T286L LED Cylinders with Integral Driver

T381L, T382L, T383L, T385L, T387L, T388L LED Vertical Cylinder Series

Ordering Example: "T261L G3 30K 80CRI PDIM SP BL" becomes "T261L HTEK G3 30K 80CRI OFF SP BL".

Note: Standard HTEK 277V Track fixtures are not dimmable – contact Juno Trac Product Manager for more information.

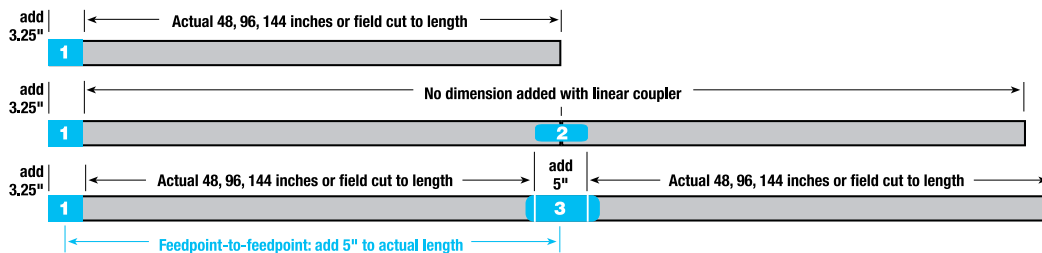
JUNO HD COMMERCIAL TRAC

277V, 2-Circuit/2-Neutral Track System

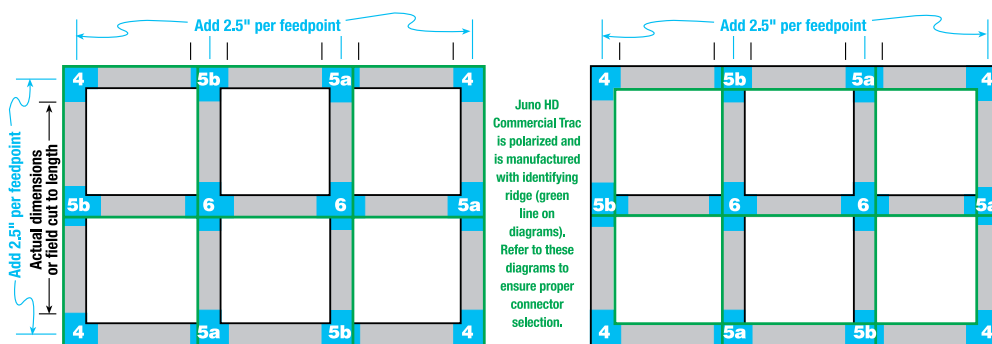
TRACK SECTIONS, JOINERS, FEEDS, ACCESSORIES & FIXTURES

HTEK Series

POSSIBLE TRACK CONFIGURATION & RECOMMENDED COMPONENTS



- 1. HTEK11** End Feed (left) - standard
- HTEK12** End Feed (right) - reverse polarity (used for conduit feed also)
- 2. HTEK21** Miniature Straight Connector
- 3. HTEK14** Center Feed
- 4. HTEK34** 90° "L" Connector (adjustable universal polarity)
- 5a. HTEK39** "T" Connector (adjustable right reverse polarity)
- 5b. HTEK40** "T" Connector (adjustable left standard polarity)
- 6. HTEK38** "X" Connector



Juno HD Commercial Trac is polarized and is manufactured with identifying ridge (green line on diagrams). Refer to these diagrams to ensure proper connector selection.

JUNO HD COMMERCIAL TRAC

277V, 2-Circuit/2-Neutral Track System

TRACK SECTIONS, JOINERS, FEEDS, ACCESSORIES & FIXTURES

HTEK Series

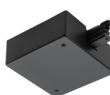
SYSTEM COMPONENTS



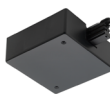
HTEK11 BL, HTEK11 WH
End Feed - Left Standard Polarity
Enables feeding of HTEK Trac from top.
Use as Conduit End Feed also.



HTEK12 BL, HTEK12 WH
End Feed - Right Reverse Polarity
Enables feeding of HTEK Trac from top.
Use as Conduit End Feed also.



HTEK11CL BL, HTEK11CL WH
Current Limiting End Feed - Left Standard Polarity
Enables feeding of HTEK Trac from top. Requires two HTCL Current Limiters (one per circuit) to provide track current limiting per national, state and local energy codes. Permanently attaches to track using one-way screw.



HTEK12CL BL, HTEK12CL WH
Current Limiting End Feed - Right Reverse Polarity
Enables feeding of HTEK Trac from top. Requires two HTCL Current Limiters (one per circuit) to provide track current limiting per national, state and local energy codes. Permanently attaches to track using one-way screw.



HTCLCB 0.5A BLCK, HTCLCB 0.5A WHT
HTCLCB 1A WHT
HTCLCB 2.5A BLCK, HTCLCB 2.5A WHT
HTCLCB 5A BLCK, HTCLCB 5A WHT
HTCLCB 10A BLCK, HTCLCB 10A WHT
HTCLCB 15A BLCK, HTCLCB 15A WHT
Screw-In Current Limiters
For use with HTEK11 or HTEK12 Current Limiting End Feeds. Available in 0.50A (138W), 1A (277W), 2.5A (692W), 5A (1385W), 10A (2770W) and 15A (4155W) ratings.



HTEK14 BL, HTEK14 WH
Center Feed
Joins two HTEK Trac sections in-line both electrically and mechanically. Enables feeding of HTEK Trac from top at intersection.



HTEK21 BL, HTEK21 WH
Miniature Straight Connector
Joins two HTEK Trac sections in-line both electrically and mechanically.



HTEK24 BL, HTEK24 WH
Adjustable Connector
Capable of joining two HTEK Trac sections at 90° to 180°. Ideal for applications where using an "L" connector is not practical; also useful for installing Track around curved architectural details.



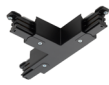
HTEK34 BL, HTEK34 WH
90° "L" Connector
Joins HTEK Trac sections to make a 90° angle with continued electrical feed. May be used to feed HTEK Trac from top.



HTEK38 BL, HTEK38 WH
"X" Connector
Joins four HTEK Trac sections to make an "X" intersection with continued electrical feed. May be used to feed HTEK Trac from top.



HTEK39 BL, HTEK39 WH
"T" Connector - Adjustable Right Reverse Polarity
Joins three HTEK Trac sections to make a "T" intersection with continued electrical feed. May be used to feed HTEK Trac from top.



HTEK40 BL, HTEK40 WH
"T" Connector - Adjustable Left Standard Polarity
Joins three HTEK Trac sections to make a "T" intersection with continued electrical feed. May be used to feed HTEK Trac from top.



GES15 BL, GES15 WH
Outlet Box Cover
Thermoplastic outlet box cover for use when feeding HTEK Trac directly over outlet box using HTEK11, HTEK12, HTEK14, HTEK34, HTEK38, HTEK39 or HTEK40.



TEK41 BL, TEK41 WH
Dead End
Not supplied with HTEK Trac sections — must be ordered separately.



XTSV12
Track Conductor Bending Tool
All-in-one hand tool bends the track conductors and measures the correct length to ensure proper electrical contact. Required only if track sections are cut in the field.



SKB10 BL, SKB10 WH
Mounting Bracket
For mounting direct to ceiling.



SKBT12 BL, SKBT12 WH
Mounting Bracket
For mounting to flush tile 15/16" T-bar ceiling.



SKBX12 BL, SKBX12 WH
Mounting Bracket
For mounting to drop tile recessed 15/16" T-bar ceiling.



SKB30 BL, SKB30 WH
Ceiling Cup Kit
Use to suspend HTEK Trac from the ceiling when using steel cable or threaded rod. Included bracket provides suspension attachment point and ceiling cup covers the bracket for an aesthetically pleasing result. **INCLUDES BRACKET AND CEILING CUP ONLY.** Must be combined with SP4P and SKB34 or 1/4"-20 threaded rod (supplied by others) for a complete suspension solution.



SKB34 5, SKB34 9
Cable Suspension Kit
Use to suspend HTEK Trac from the ceiling with supplied 5' or 9' steel cable. **INCLUDES CABLE AND CABLE ADJUSTMENT FITTER ONLY.** Must be combined with SP4P and SKB30 for a complete suspension solution.



SPUS12 BL, SPUS12 WH, SPUS18 BL, SPUS18 WH, SPUS24 BL, SPUS24 WH, SPUS48 BL, SPUS48 WH
Mounting Stem Kit
Use to suspend HTEK Trac from the ceiling. **INCLUDES MOUNTING STEM AND CANOPY COMPONENTS ONLY.** Must be combined with SP4P for suspension-only mounting points (SP4P not needed at feed or connection points). Available in 12", 18", 24" and 48" lengths.



SP4P BL, SP4P WH
Universal Suspension Coupler
Use to suspend TEK Trac, except at feed or connection points. **INCLUDES SUSPENSION COUPLER ONLY.** Must be combined with SPUS Stem Kit, or SKB34 Cable Kit, or 1/4"-20 threaded rod (supplied by others) for a complete suspension solution.

Finishes: BL, BLCK - Black, WH, WHT - White