

**Talis S<sup>2</sup>**  
**Prep Kitchen Faucet, 2-Spray Pull-Down, 1.75 GPM**  
 Finishes : **chrome** Part no. : **04286000**



**Description**

**Features**

- Swivel range 150°
- Aerated and needle spray
- Non-locking spray diverter
- MagFit magnetic sprayhead docking
- Single-hole installation
- Flow: 1.75 GPM (6.6 L/Min)
- Ceramic cartridge
- 3/8" connections
- Integrated double backflow prevention

**Item details**

List Price \$ 600.00

**Technology**



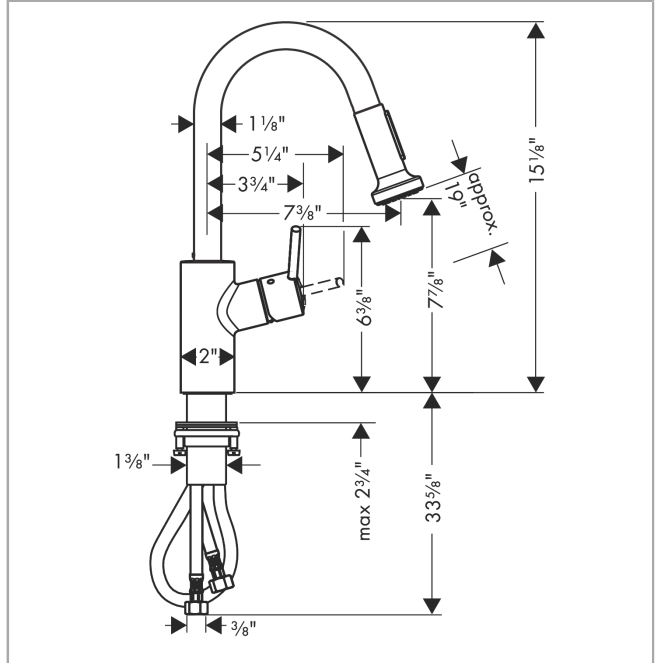
**Compliance**



**Product image**



**Scale drawing**

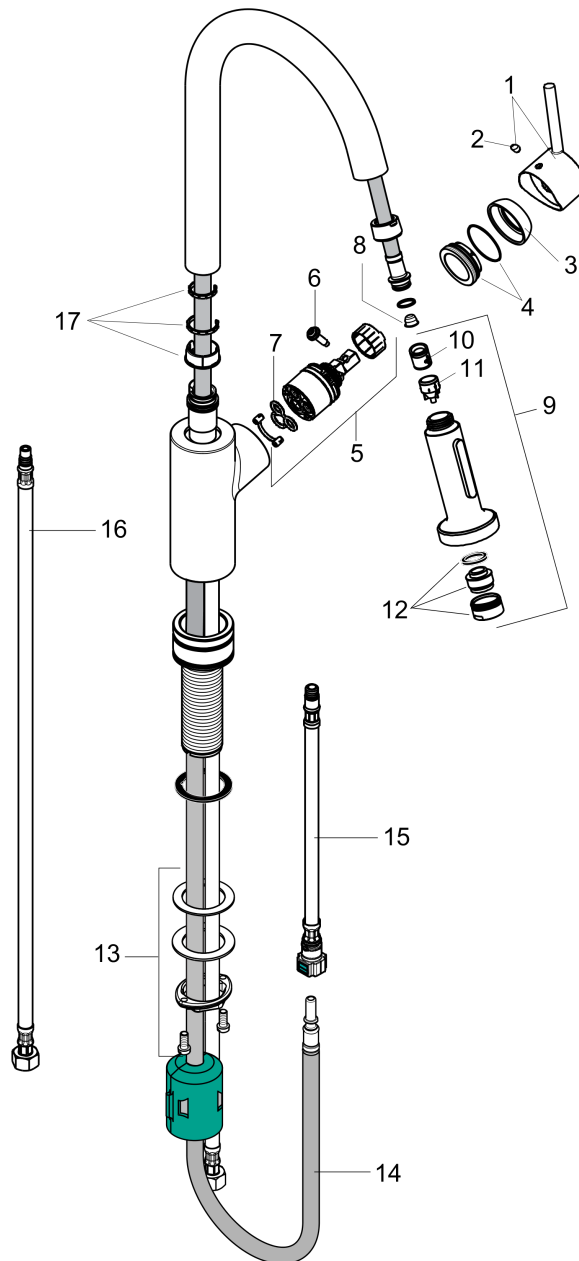


Talis S<sup>2</sup>  
Prep Kitchen Faucet, 2-Spray Pull-Down, 1.75 GPM  
Finishes : chrome Part no. : 04286000



Exploded drawing

Year of production: >10/18



**Talis S<sup>2</sup>**

**Prep Kitchen Faucet, 2-Spray Pull-Down, 1.75 GPM**

Finishes : **chrome** Part no. : **04286000**



**Spare parts list**

Year of production: >10/18

Pos.	Description	Part no.	Price	PU
1	handle	95560000	-	1
2	screw cover	96338000	-	1
3	flange	95498000	-	1
4	nut	97209000	-	1
5	cartridge, assy	92730000	-	1
6	locking screw for handle	95140000	-	1
7	seal	95008000	-	1
8	filter	97735000	-	1
9	spray head cpl.	88658000	-	1
10	non return valve	93218000	-	1
11	set of non return valves DW 15	97350000	-	1
12	aerator M24x1 (15 l/min)	13913000	-	1
13	fixing set (Ø 34)	95049000	-	1
14	hose 1,50 m	88624000	-	1
15	connection hose 600 mm M10x1	95561000	-	1
16	connection hose 35½" M8x0,75 3/8"	96316001	-	1
17	set of lever collars	98365000	-	1