

IMPORTANT

Carefully remove all the parts from the carton and place them individually on a soft cloth to prevent scratches or other damage.

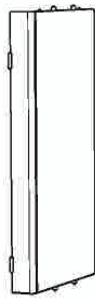
Carefully and strictly follow these assembly instructions to ensure a completed product as designed.

Do not use power tools above 8 volts to assemble.

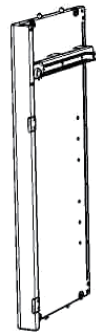
Part List



B.
Side Panel
1 pc.



C.
Side Panel
1 pc.



D.
Side Panel
1 pc.



E.
Side Panel
1 pc.



F.
Upright
1 pc.



G.
Upright
1 pc.



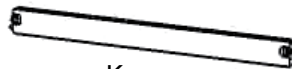
H.
Back Panel
2 pcs.



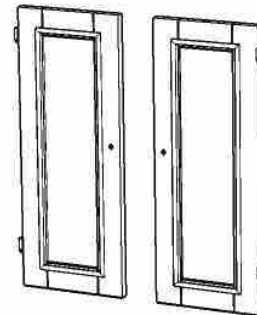
I.
Back Panel
2 pcs.



J.
Front Rail
3 pcs.



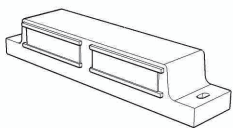
K.
Back Rail
4 pcs.



O.
Door
2 pcs.

P.
Door
2 pcs.

Hardware List



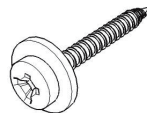
Magnet
2 pcs.



M3x15
Wood Screw
4 pcs. (+1 extra)



M3x30
Wood Screw (long)
6 pcs. (+1 extra)



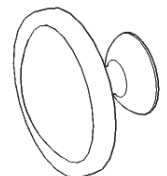
M3x16
Wood Screw
for Upright
4 pcs. (+1 extra)



Adjustable Pin
16 pcs. (+1 extra)



M4x25
Machine Screw
7 pcs.



Knob
7 pcs.

Carton 5170-691 is also needed for assembly.

Tool(s) required for assembly: Phillips screwdriver, Level, Drill (8 volts or less), 3/8" Drill Bit

Home Styles Customer Service: www.homestylesfurniture.com,
servicedesk@homestylesfurniture.com, 888-680-7460, 877-831-0319

Assembly Instructions 2/7

IMPORTANT

- Use a soft cloth between these parts and the floor.
- Do not use power tools above 8 volts to assemble.
- The unit must be level to work properly. Use the included adjustable levelers to level.

STEP 1

Attach Back Rail (K) to Side Panel (B), then flip Lock. (See Figures 1 and 2)

Attach Back Panels (H), Upright (F) and Back Rail (K) to unit, then flip Lock.

Attach Magnet to Front Rail (J) with Wood Screws into pre-drilled holes. (See Figure 3)

Attach Front Rail (J) to unit with Wood Screw (long).

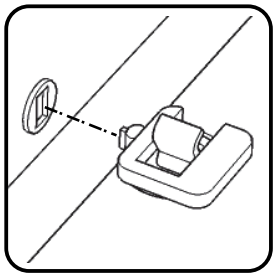
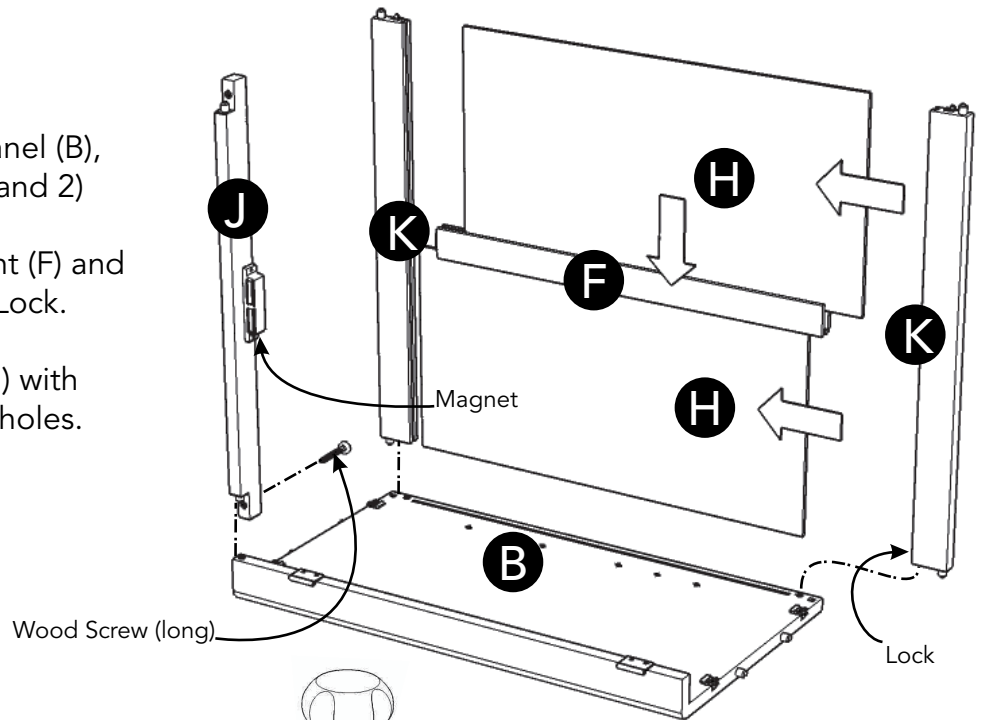


Figure 1

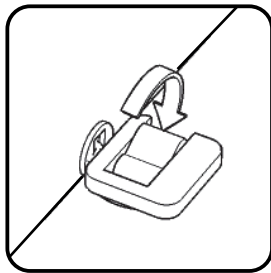


Figure 2

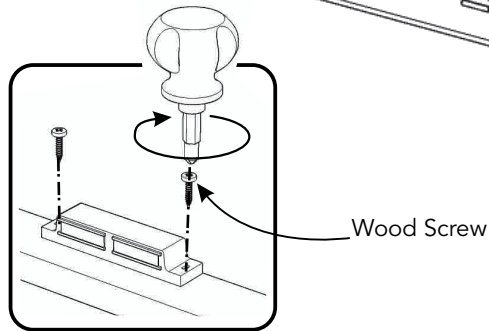
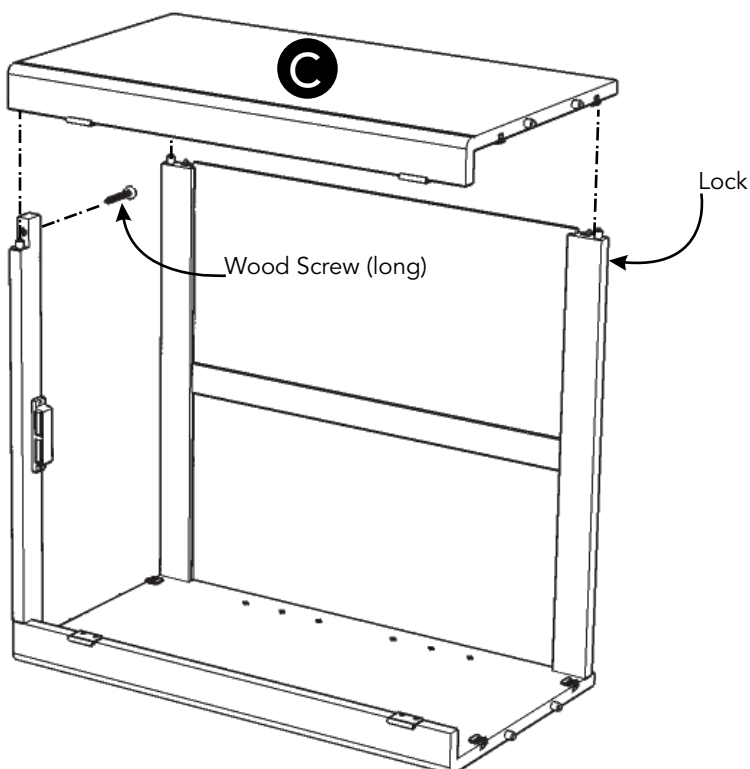


Figure 3



STEP 2

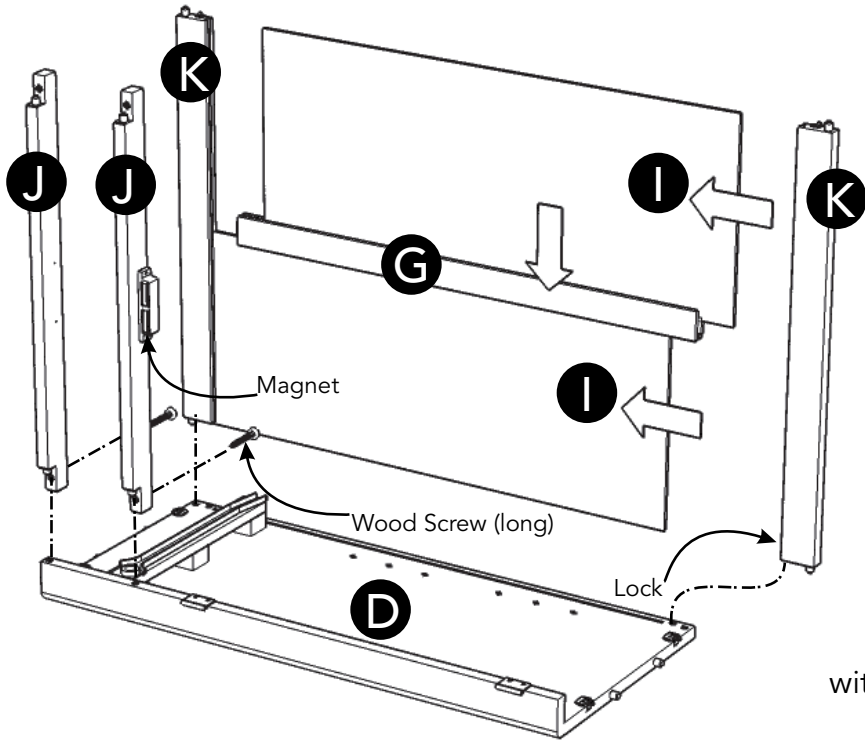
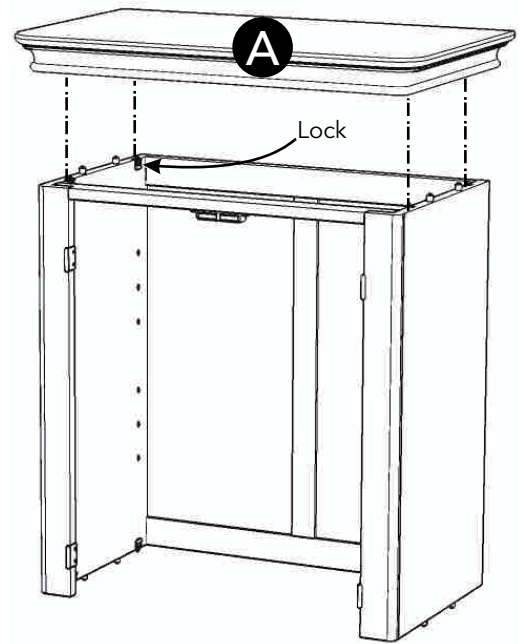
Attach Side Panel (C) to unit with Wood Screw (long), then flip Locks.

Assembly Instructions 3/7

STEP 3

Turn unit to its upright position.

Attach Top (A) to unit, then flip Locks.



STEP 4

Attach Back Rail (K) to Side Panel (D), then flip Lock.

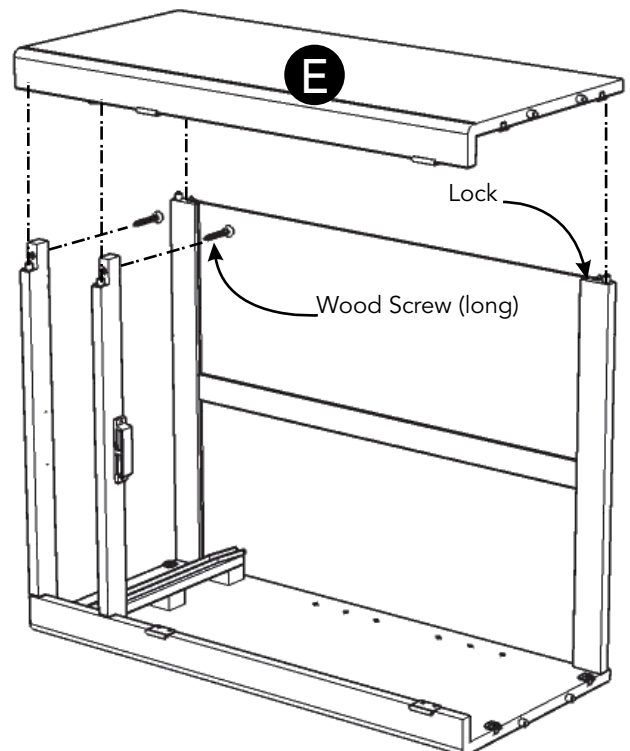
Attach Back Panels (I), Upright (G) and Back Rail (K) to unit, then flip Lock.

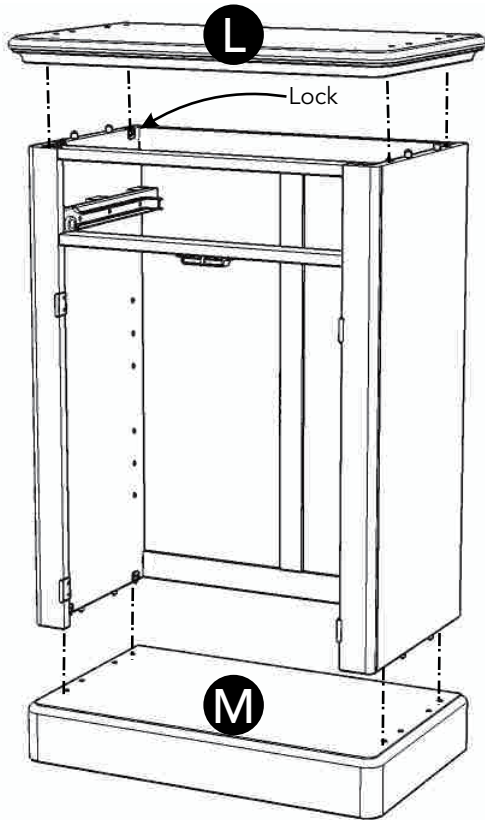
Attach Magnet to Front Rail (J) with Wood Screws into pre-drilled holes.

Attach Front Rails (J) to unit with Wood Screws (long).

STEP 5

Attach Side Panel (E) to unit with Wood Screws (long), then flip Locks.





STEP 6

Attach unit to Base (M), then flip Locks.

Attach Top (L) to unit, then flip Locks.

STEP 7

Attach unit from Step 3 to unit from Step 6, then flip Locks.

Insert Adjustable Pins into side panels at desired level. (See Figure 4)

Slide Shelves (N) into position.

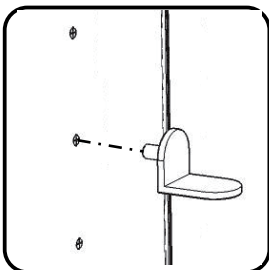
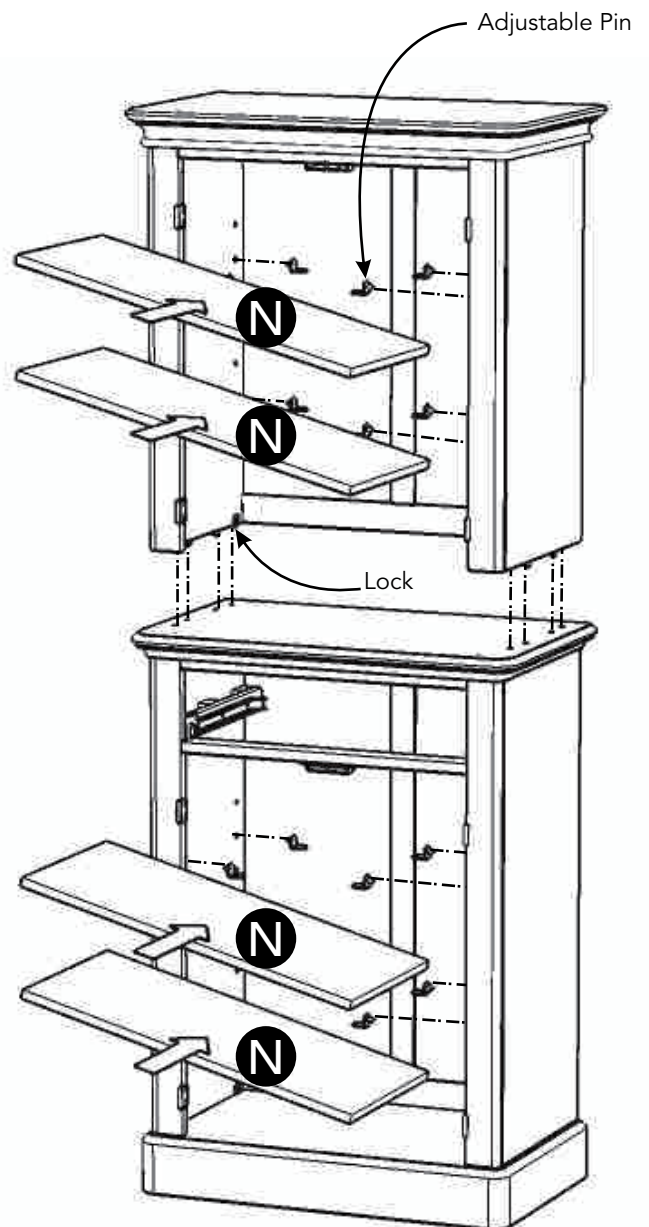
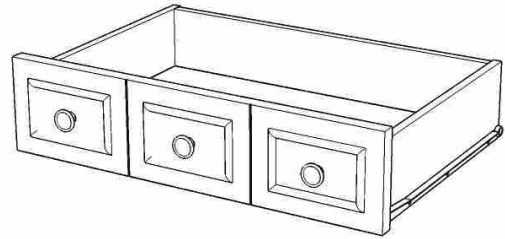


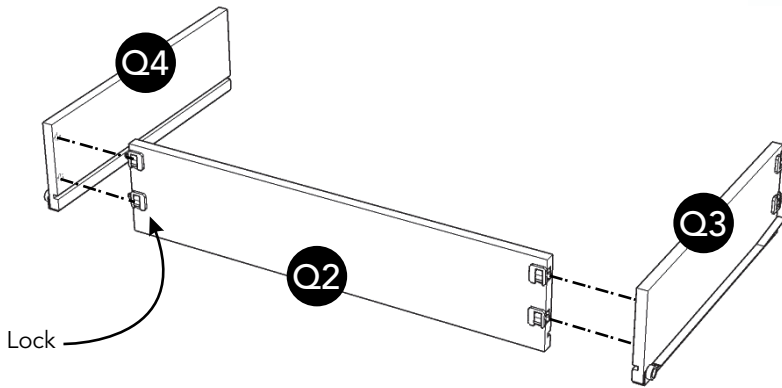
Figure 4

Assembly Instructions 5/7

Drawer (Q)



STEP 8



Attach Drawer Sides (Q3) and (Q4) to Drawer Back (Q2), then flip Locks. (See Figures 5 and 6)

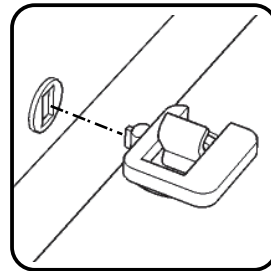


Figure 5

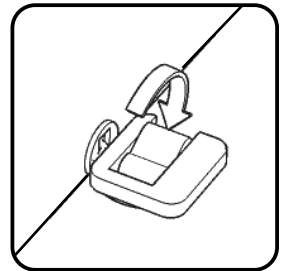
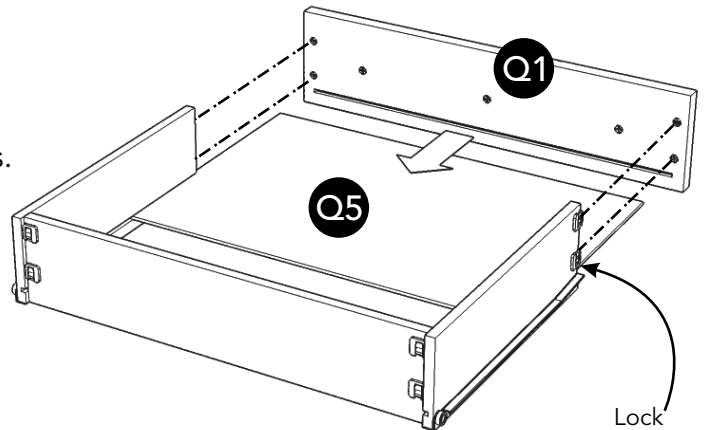


Figure 6

STEP 9

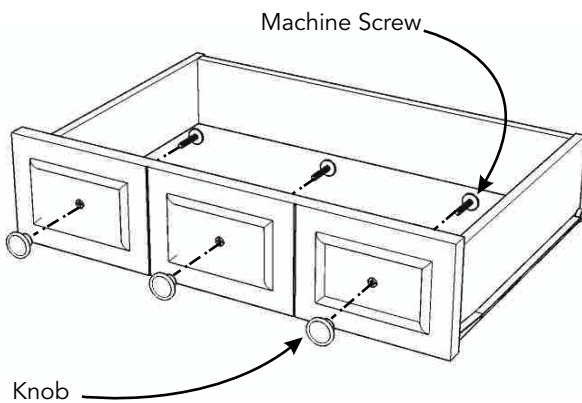
Insert Drawer Bottom (Q5) into groove.

Attach Drawer Front (Q1) to unit, then flip Locks.

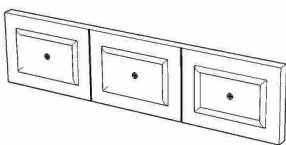


STEP 10

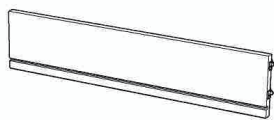
Attach Knobs with Machine Screws.



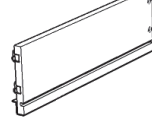
Part List



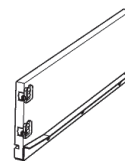
Q1.
Drawer Front
1 pc.



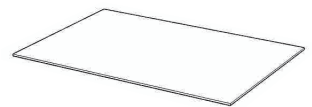
Q2.
Drawer Back
1 pc.



Q3.
Drawer Side
1 pc.



Q4.
Drawer Side
1 pc.



Q5.
Drawer Bottom
1 pc.

Assembly Instructions 6/7

STEP 11

Level unit by adjusting the adjustable levelers on bottom of unit.
(See Figure 7)

Attach Doors (O) and (P) to unit by sliding door hinges into side panel hinges.
(See Figure 8)

Attach Knobs to Doors (O) and (P) with Machine Screws.
(See Figure 9)

Slide Drawer (Q) into position.

Knob
Machine Screw

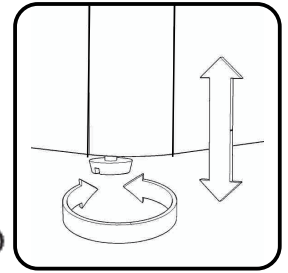
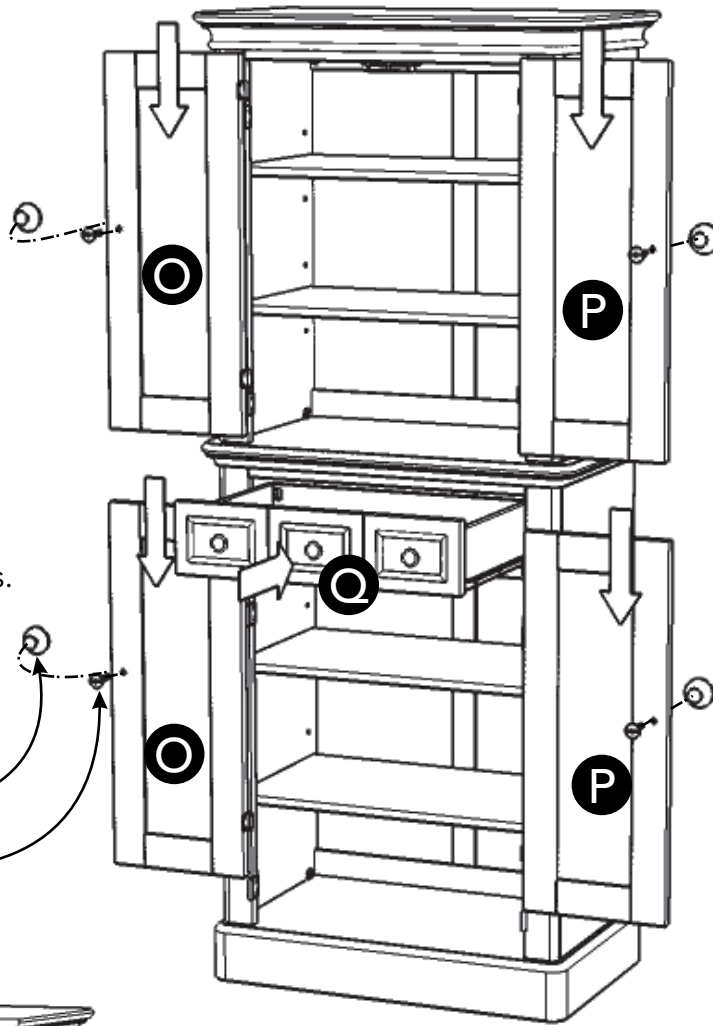


Figure 7

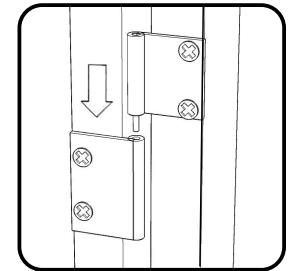


Figure 8

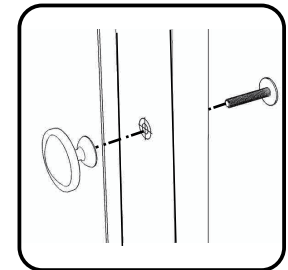
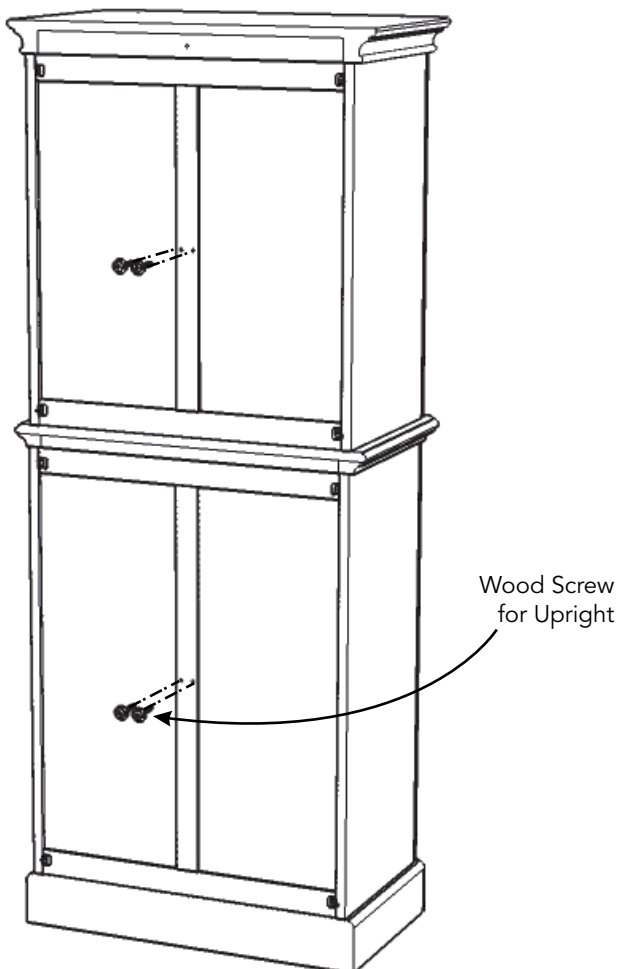


Figure 9



STEP 12

Insert Wood Screws for Upright into pre-drilled holes in unit.

Assembly Instructions 7/7

IMPORTANT

- To help reduce the risk of the unit tipping over, the Tipover Restraint must be installed following these instructions exactly.

STEP 13

Place unit at desired location.

Drill a 3/8" hole in wall in-line with the pre-drilled hole at top of unit.

Move unit.

Insert Anchor into the wall hole and attach Bracket with Wall Screw.

Attach Bracket at pre-drilled hole at top of unit with Wood Screw.

Move unit back into place.

Slide Tipover Restraint through Bracket on wall and Bracket on unit. (See Figure 10)

Put tie end of Tipover Restraint into lock end of Tipover Restraint and pull until tight.

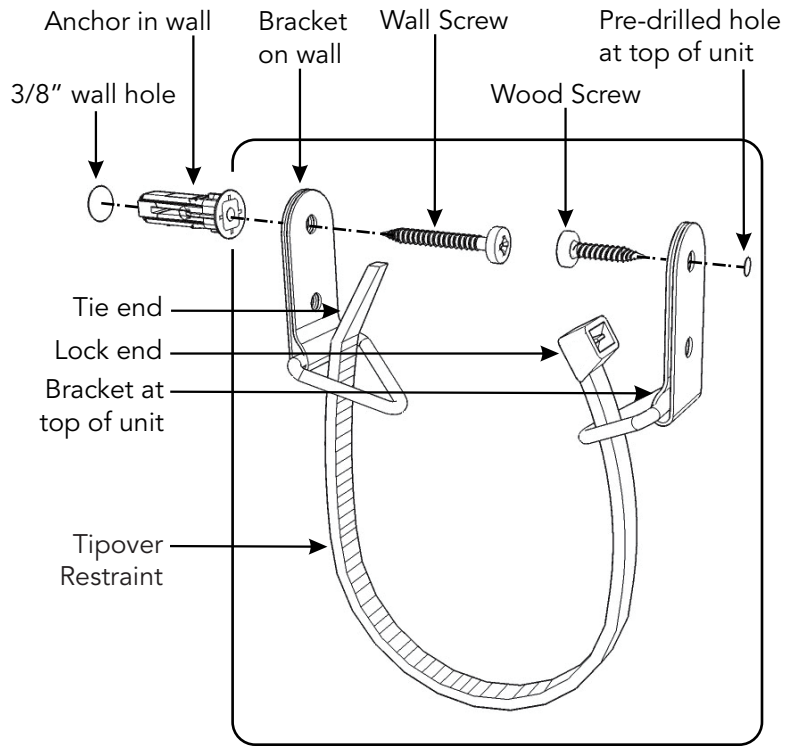
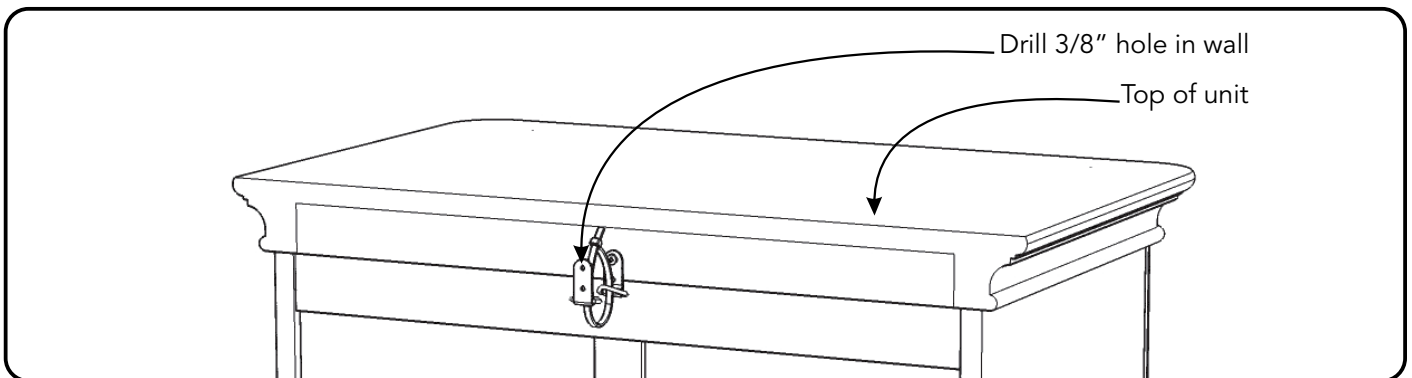
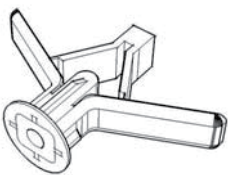


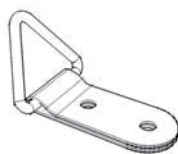
Figure 10



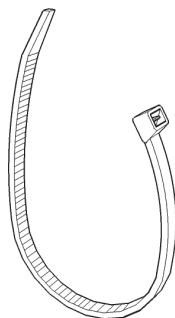
Hardware List



Anchor
1 pc. (+1 extra)



Bracket
2 pcs. (+1 extra)



Tipover Restraint
1 pc. (+1 extra)



M3.5x40
Wall Screw
1 pc. (+1 extra)



M3.5x16
Wood Screw
1 pc. (+1 extra)

CARE INSTRUCTIONS

NEVER

allow liquids to remain on furniture.
Absorption causes parts to warp
and split and finishes to delaminate.

NEVER

use glass cleaners on
finished furniture. Ammonia
chemically attacks the finish.



Do not use power tools
above 8 volts to assemble.
**PREVENT
CRACKING**



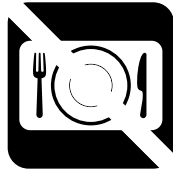
Do not place
in direct sunlight.
**PREVENT
FADING**



Do not write
directly on surface.
**PREVENT
MARKING**



Do not place hot
objects on surface.
**PREVENT
FINISH DAMAGE**



Do not use rubber
based placemats.
**PREVENT
DISCOLORING**



Do not use commercial
waxes and polishes.
**PREVENT
YELLOWING**

CLEAN

with a soft cloth moistened
in lukewarm soap and water.
Buff with a dry clean cloth.



Home Styles will provide replacements free of charge for missing or damaged hardware or parts within 30 days of purchase. Digital images of the defective parts may be required. If the product was not purchased from an authorized retail affiliate, Home Styles is under no obligation to provide replacement parts. Parts are not available for fully assembled items nor are parts available for sale. Replacements for missing or damaged hardware or parts may be requested at:

www.homestylesfurniture.com/customer-service/replacement-parts

Home Styles Customer Service: www.homestylesfurniture.com,
servicedesk@homestylesfurniture.com, 888-680-7460, 877-831-0319