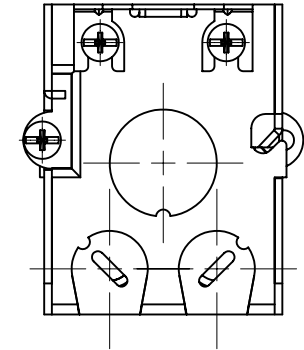
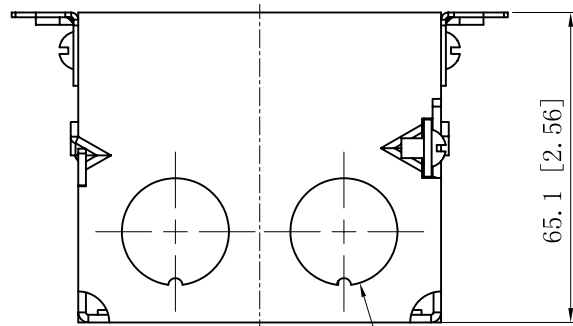
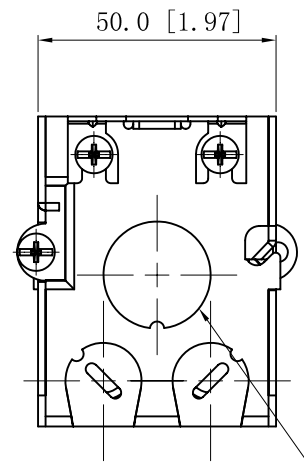
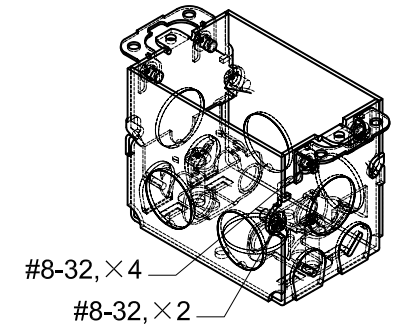
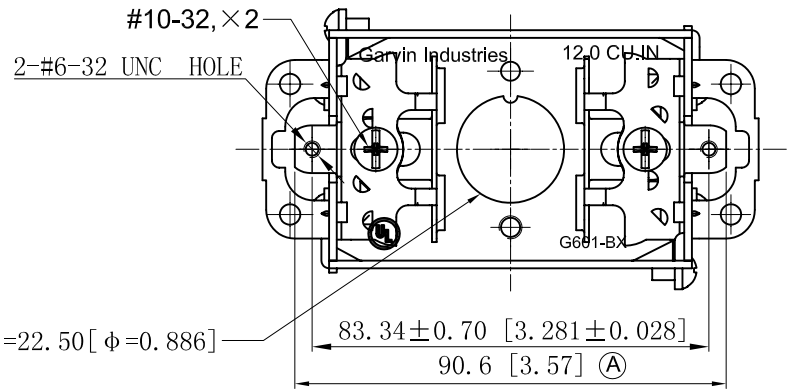


SIDES	BOTTOM
6 1/2" KNOCKOUTS	1/2" KNOCKOUTS
4 KNOCKOUTS	
2pcs #8-32×1/4 zinc plated	
4pcs #8-32×3/16 zinc plated	
2pcs #10-32×1 zinc plated	
Material: Steel-0.0625"-G60 Galvanized	



This data sheet is for reference only .GARVIN INDUSTRIES reserves the right to make changes to the design without prior notice.

DESCRIPTION
TRADE REFERENCE TERMS

STANDARD PACKING
50 PCS

<b>GARVIN INDUSTRIES</b>		
TITLE GANGABLE SWITCH BOXES WITH CONOUIT KNOCKOUTS		
SIZE A4	DWG NO. G601-BX	REV C
DATA SHEET		