

F1807 Brass PEX Male Sweat Adapter

Job Name	_____
Location	_____
Engineer	_____
Contractor	_____
Tag	_____ PO# _____

Specifications

Manufactured to the highest industry standards, Jones Stephens' F1807 lead-free brass crimp fittings provide precise, leak-free connections. The secure and reliable crimp fitting method provides full, immediate strength upon installation, with 360-degree uniform pressure. Approved for use with PEX piping.

Applications

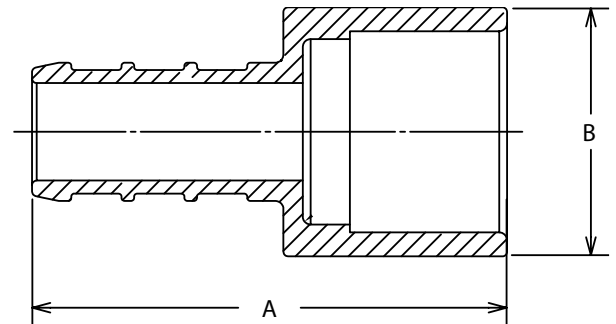
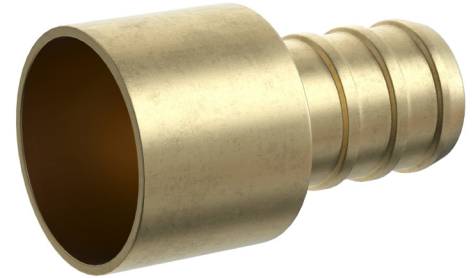
Jones Stephens' F1807 Brass PEX Male Sweat Adapters are approved for use with commercial and residential non-potable water applications.

Materials

Lead-free brass

Certifications/Listings/Approvals

ASTM F1807-2019b
NSF/ANSI/ CAN 372-2022 and 61-2021
NSF/ANSI 14-2016a
CSA B137.5-2017
Lead Law Compliant



	ID	OD
F1807 Specified Dimensions	in (mm)	in (mm)
1/2" End Connection	.37(9.30)	.47(11.98)
3/4" End Connection	.55(13.85)	.67(16.96)
1" End Connection	.72(18.22)	.86(21.74)

PRODUCT OFFERING ON PAGE 2

Dimensions and Product Offering

PART NO.	SIZE	A - IN (MM)	A TOLERANCE ±IN(MM)	B - IN (MM)	B TOLERANCE ±IN(MM)	WEIGHT - LBS (G)	WEIGHT TOLERANCE ±LBS (G)
C76047LF	0.37" F1807 x 0.50"	1.19 (30.23)	0.01 (0.20)	0.62 (15.85)	0.002 (0.05)	0.02 (9.07)	0.02 (10.89)
C76048LF	0.50"	1.19 (30.23)	0.01 (0.20)	0.62 (15.85)	0.002 (0.05)	0.02 (9.07)	0.02 (10.89)
C76049LF	0.50" F1807 x 0.75"	1.44 (36.60)	0.01 (0.20)	0.87 (22.20)	0.002 (0.05)	0.04 (18.14)	0.02 (10.89)
C76050LF	0.75"	1.52 (38.60)	0.01 (0.20)	0.87 (22.20)	0.002 (0.05)	0.06 (27.22)	0.02 (10.89)
C76051LF	1.00"	1.75 (44.50)	0.01 (0.20)	0.94 (23.80)	0.002 (0.05)	0.10 (45.36)	0.02 (10.89)