



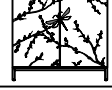

ASSEMBLY INSTRUCTION

ITEM: 638-50546-02 Bale Bar Cabinet

Thank you for purchasing this quality product. Be sure to unpack carefully looking for small parts which may have come loose during shipment.

Read all instruction and study the drawing carefully before starting the assembly process.

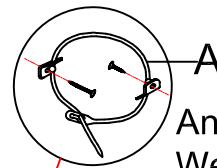
HARDWARE PACK				
NO.	DRAWING	DESCRIPTION	SIZE	Q'TY
A		Anti - Tip Kit		1 PC
B		Shelf Pin	12*12*30mm	8 PCS

PARTS LIST			
NO.	DRAWING	DESCRIPTION	Q'TY
①		Bar Cabinet	1 PC
②		Reversible Shelf	2 PCS

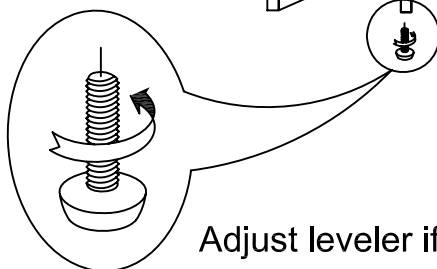
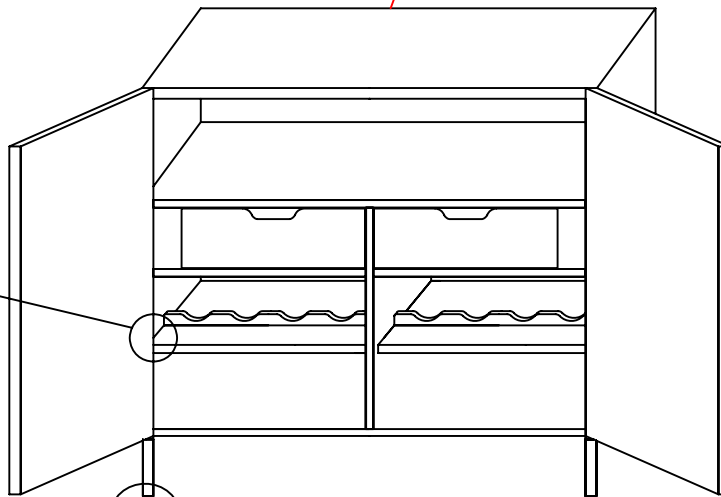
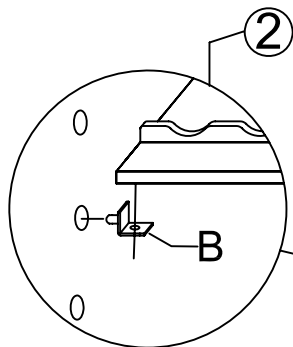
The reversible shelves (2) are packed in the bottom right corner of the cabinet (1) to avoid damage during transit.

To switch the side of shelves (2) you want, then place shelf pins (B) in the desired level.

Tipping Restraint



Anti-tip kit is included for use. We recommend installing for safety reason.



Adjust leveler if needed to level cabinet on uneven floor.

Note: Anti-tip kit restraint is provided.
Please follow the instructions enclosed with the pack.