

# Assembly Guide

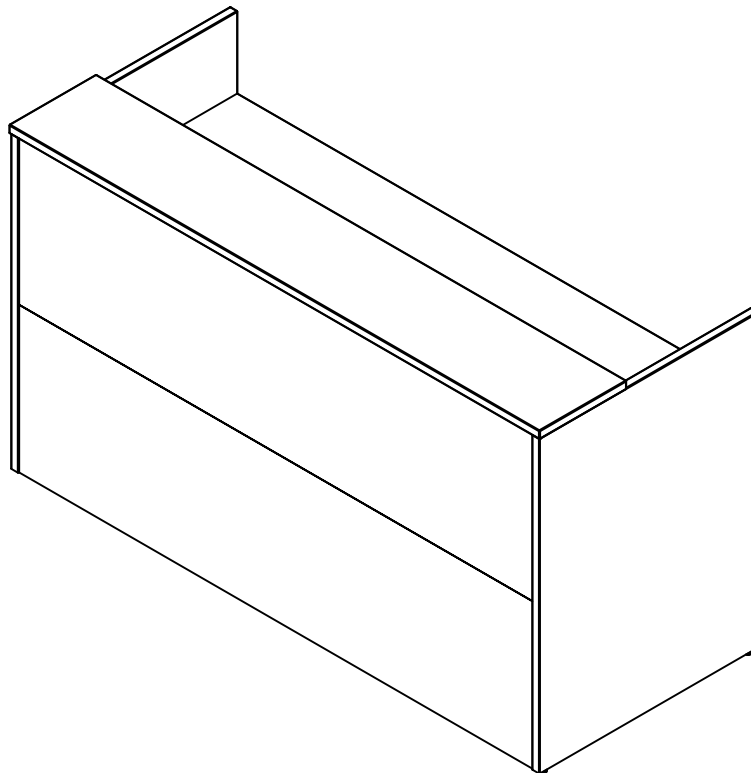


**If you're having any difficulty during assembly of this product, don't hesitate to call us at 1-800-950-4782.**

Our customer service experts are trained to provide step-by-step instruction and can easily replace any missing or damaged parts.

**Representatives are available Monday-Friday from 8:30 a.m. to 7:30 p.m. (ET)**

## 72 x 30 Reception Desk



Lot Code #

Instruction Sheet Number A218651

Keep manual for future reference.

# IMPORTANT SAFETY INFORMATION



## PLEASE READ WARNINGS

Improper use can cause safety hazards, or damage to your furniture and household items.

| Warning                          | Do   | Don't   | Why it's important   |
|----------------------------------|--|---|--|
| <b>Serious injury may occur.</b> | <ul style="list-style-type: none"><li>Assemble following all instructions using all indicated parts and hardware provided.</li></ul> | <ul style="list-style-type: none"><li>Do not move unit when loaded.</li><li>Do not load with a television or other heavy equipment.</li><li>Do not exceed the maximum load limits stated in the instructions.</li></ul> | Improper assembly, use or loading can lead to product instability, tipover, or collapse. |

| Advertencia                               | Hacer  | No  | Por qué es importante   |
|---|--|---|---|
| <b>Pueden producirse lesiones graves.</b> | <ul style="list-style-type: none"><li>Realice el montaje siguiendo todas las instrucciones y utilizando todas las piezas indicadas y los herrajes suministrados.</li></ul> | <ul style="list-style-type: none"><li>No mueva la unidad cuando esté cargada.</li><li>No cargue el mueble con un televisor u otro equipo pesado.</li><li>No supere los límites máximos de carga indicados en las instrucciones.</li></ul> | El montaje, uso o carga inadecuados pueden provocar inestabilidad, vuelco o colapso del producto. |

| Avertissement                               | À faire  | À ne pas faire  | Pourquoi c'est important   |
|---|--|---|--|
| <b>Peut entraîner des blessures graves.</b> | <ul style="list-style-type: none"><li>Assembler en suivant toutes les instructions et en utilisant toutes les pièces et la quincaillerie incluses.</li></ul> | <ul style="list-style-type: none"><li>Ne pas déplacer le meuble lorsqu'il est chargé.</li><li>Ne pas charger le meuble avec un téléviseur ou tout autre équipement lourd.</li><li>Ne pas dépasser les limites de poids maximales indiquées dans les instructions.</li></ul> | Un assemblage, une utilisation ou un chargement incorrects peuvent entraîner l'instabilité, le basculement ou l'effondrement du produit. |

## For best results, keep these tips in mind:

- ① We know you want to finish this assembly as quickly as possible, but trust us: you'll have a better experience if you take it one step at a time.
- ② Give yourself some room to work near where you want the fully assembled product.
- ③ If your floor isn't carpeted, assemble this product on the empty carton to avoid scratching.
- ④ Do you have a friend who owes you a favor? Some steps may go a little easier with a second set of hands.

## DOs

- ✔ Use a #2 Phillips head screwdriver (or other handheld tools as indicated)
- ✔ Wear safety glasses at all times during assembly
- ✔ Carefully follow the instructions in this guide and complete all steps in order
- ✔ Give us a call if you're having trouble with a particularly tricky step

## DON'Ts

- ✘ We know power tools are quick and easy, but you shouldn't use them when assembling this product (unless otherwise specified)
- ✘ Never move your furniture with items inside or resting on the surface
- ✘ Do not attempt to use this product before all steps have been completed

## Watch assembly videos right on your phone or computer!



Some steps include QR codes that link to helpful videos. Watch out for the icon below! Simply open up your smartphone camera to scan the code.

*(Users of older smartphones may need to install a QR Reader.)*

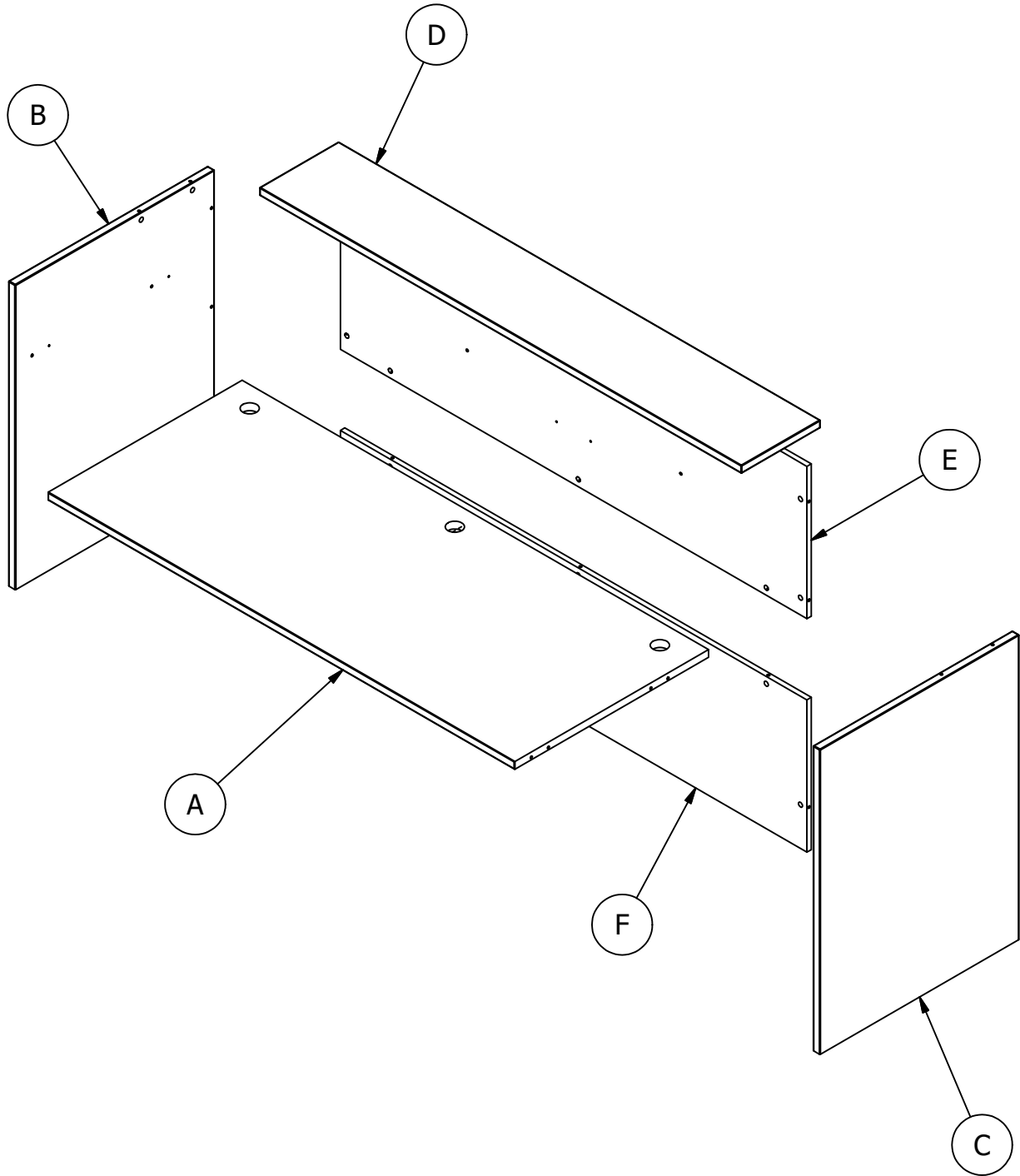
**SCAN HERE**



**FOR VIDEOS**

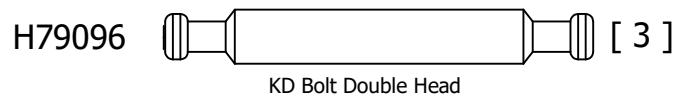
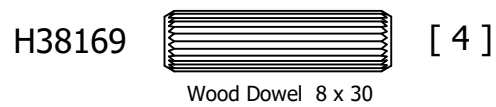
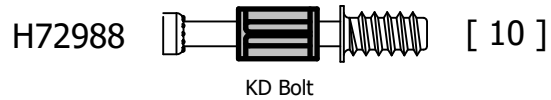
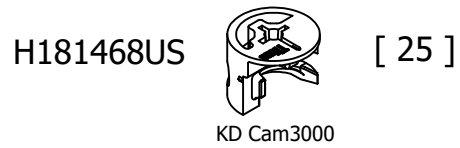
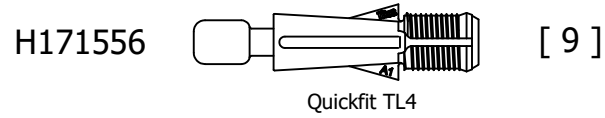
Or visit <https://bushfurniture.com/help-faq/#assembling>





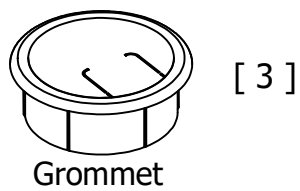
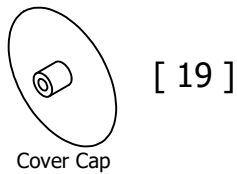
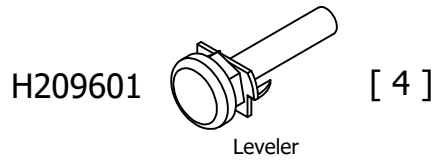
Have an assembly question or need a replacement part? Just call  
**1-800-950-4782**, we are here to help.

Fasteners are shown actual size.



Have an assembly question or need a replacement part? Just call  
**1-800-950-4782**, we are here to help.

Hardware not to scale.



# STEP 1

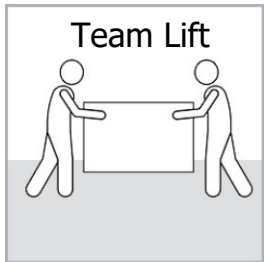
## Assemble Panels

A218651

Scan QR Code to Watch Video on:



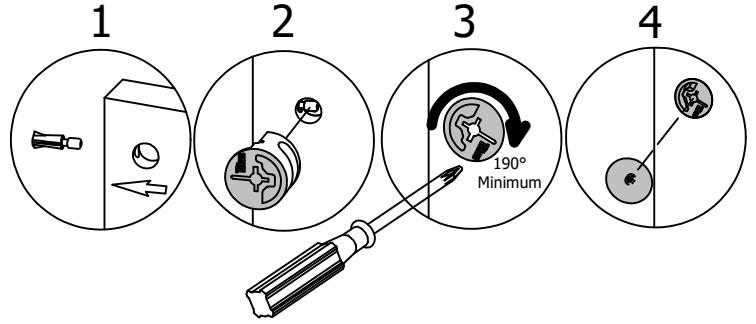
How to Tighten KD Cams



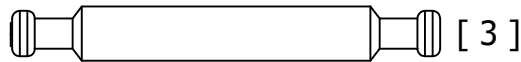
H181468US



[ 6 ]



H79096



[ 3 ]

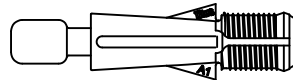
KD Bolt Double Head



[ 6 ]

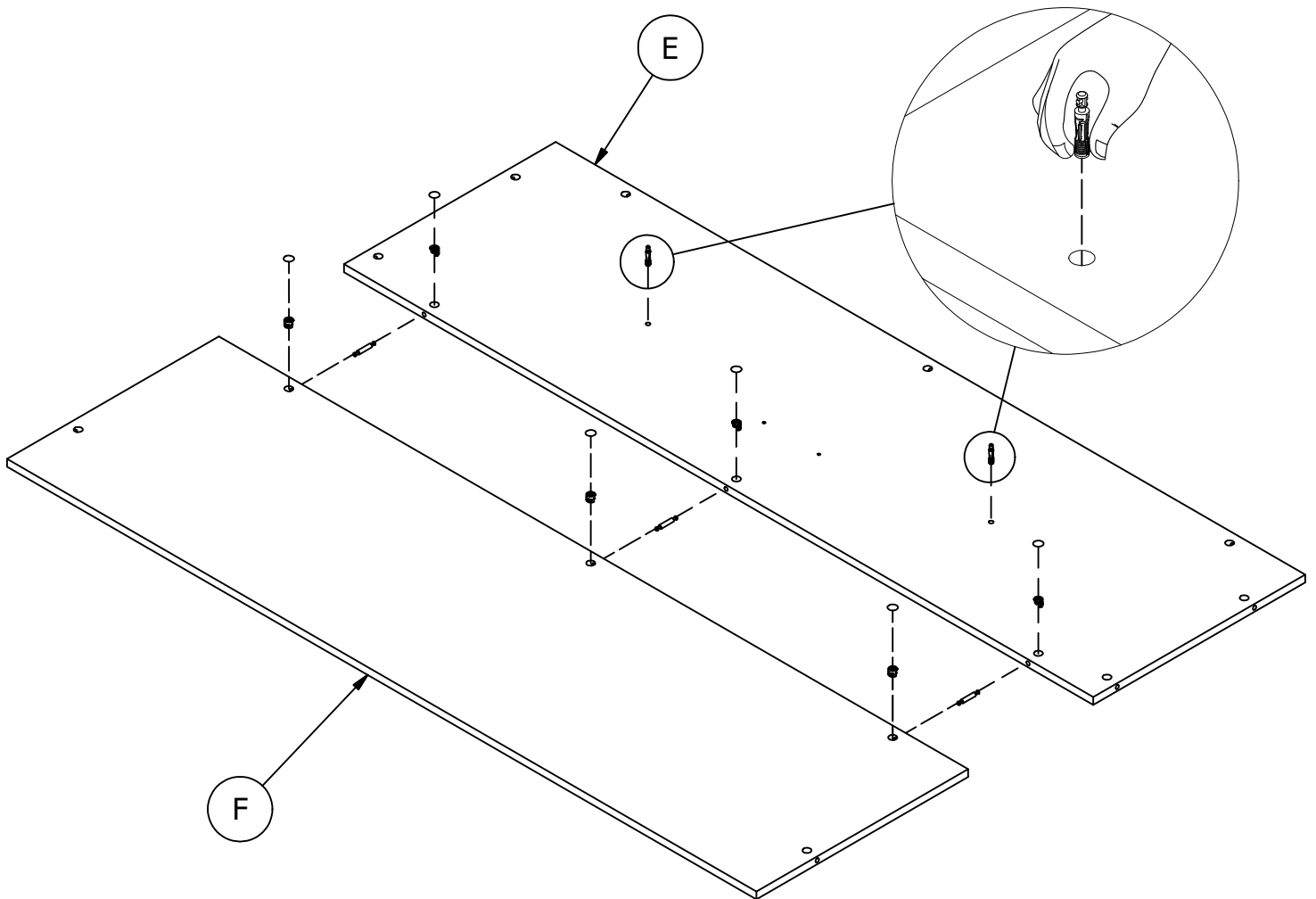
Cover Cap

H171556



[ 2 ]

Quickfit TL4



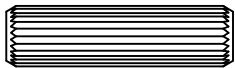
Have an assembly question or need a replacement part? Just call **1-800-950-4782**, we are here to help.

# STEP 2

# Prepare Panel

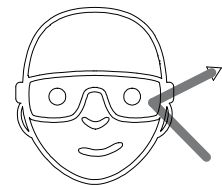
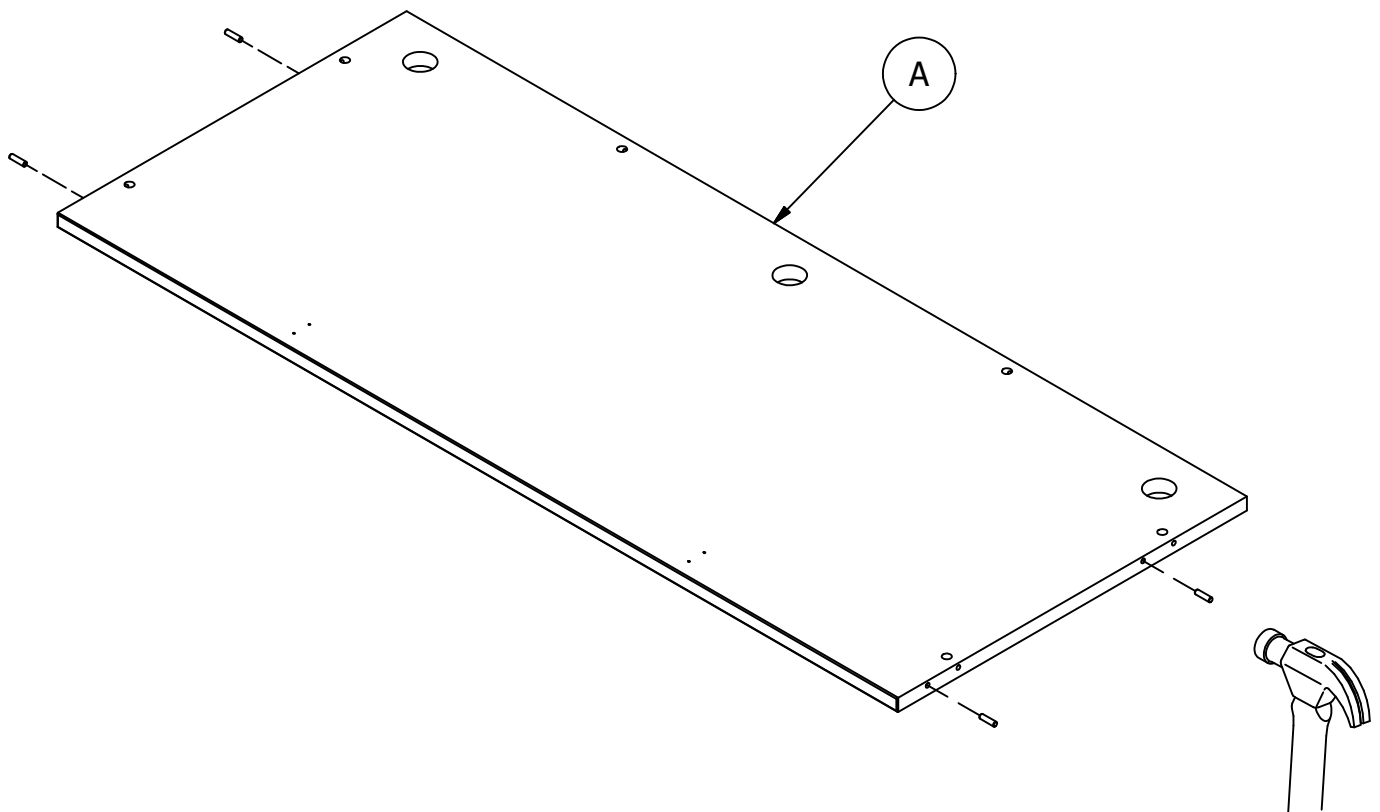
A218651

H38169



[ 4 ]

Wood Dowel 8 x 30



Safety glasses  
Gafas de seguridad  
Lunettes de protection

Have an assembly question or need a replacement part? Just call  
**1-800-950-4782**, we are here to help.



# STEP 3

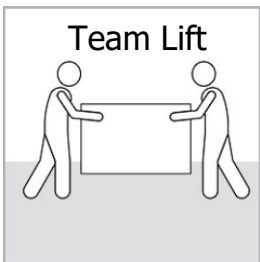
# Assemble Panels

A218651

Scan QR Code to Watch Video on:



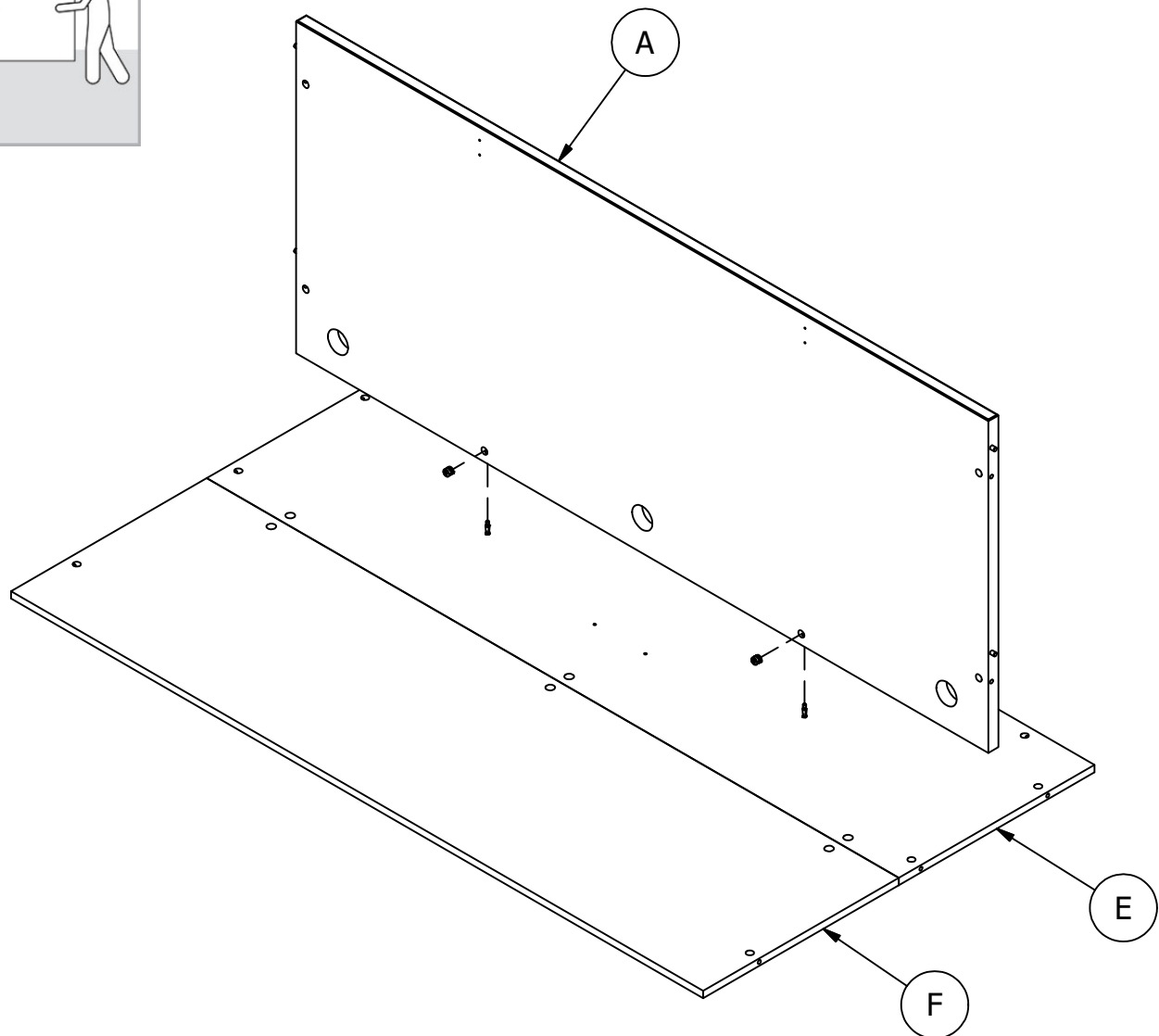
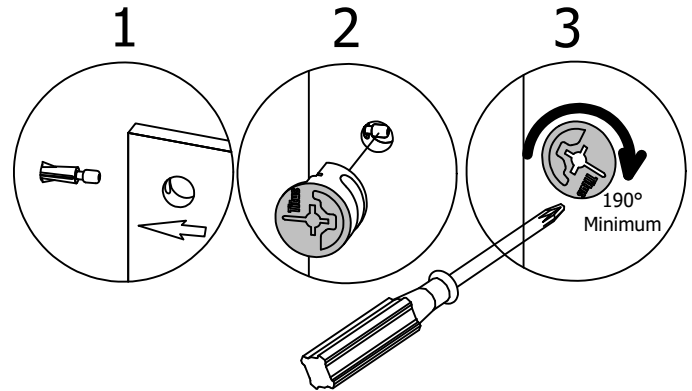
How to Tighten KD Cams



H181468US



[ 2 ]





Have an assembly question or need a replacement part? Just call **1-800-950-4782**, we are here to help.

# STEP 4

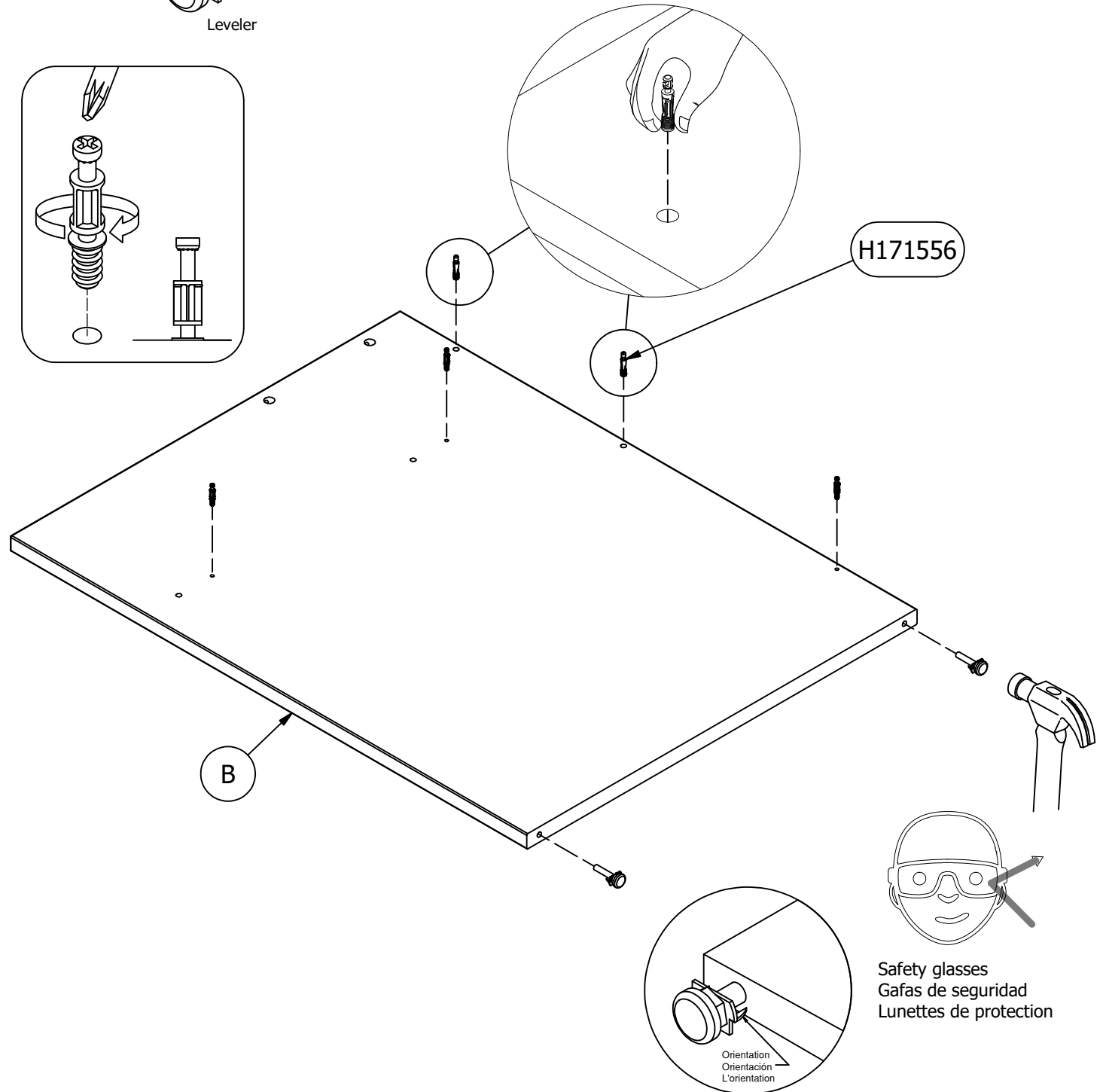
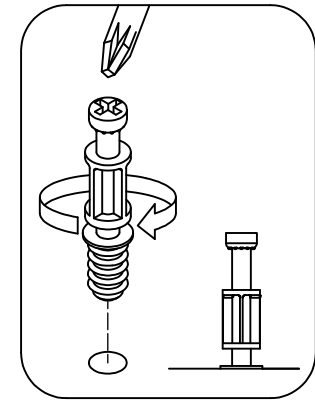
# Prepare Panel

A218651

H72988  [ 3 ]  
KD Bolt

H171556  [ 2 ]  
Quickfit TL4

H209601  [ 2 ]  
Leveler



Have an assembly question or need a replacement part? Just call  
**1-800-950-4782**, we are here to help.

# STEP 5

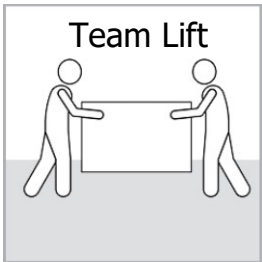
# Assemble Panels

A218651

Scan QR Code to Watch Video on:



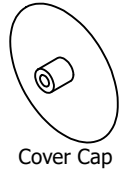
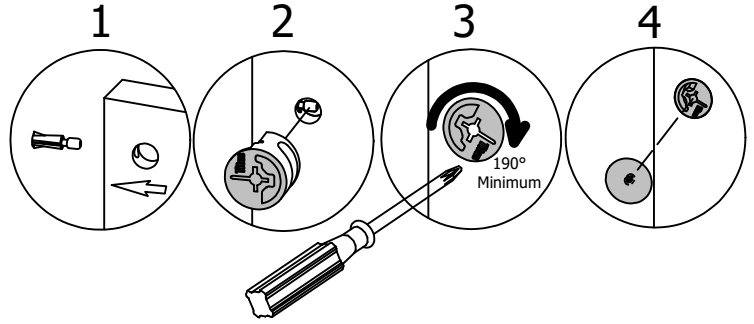
How to Tighten KD Cams



H181468US

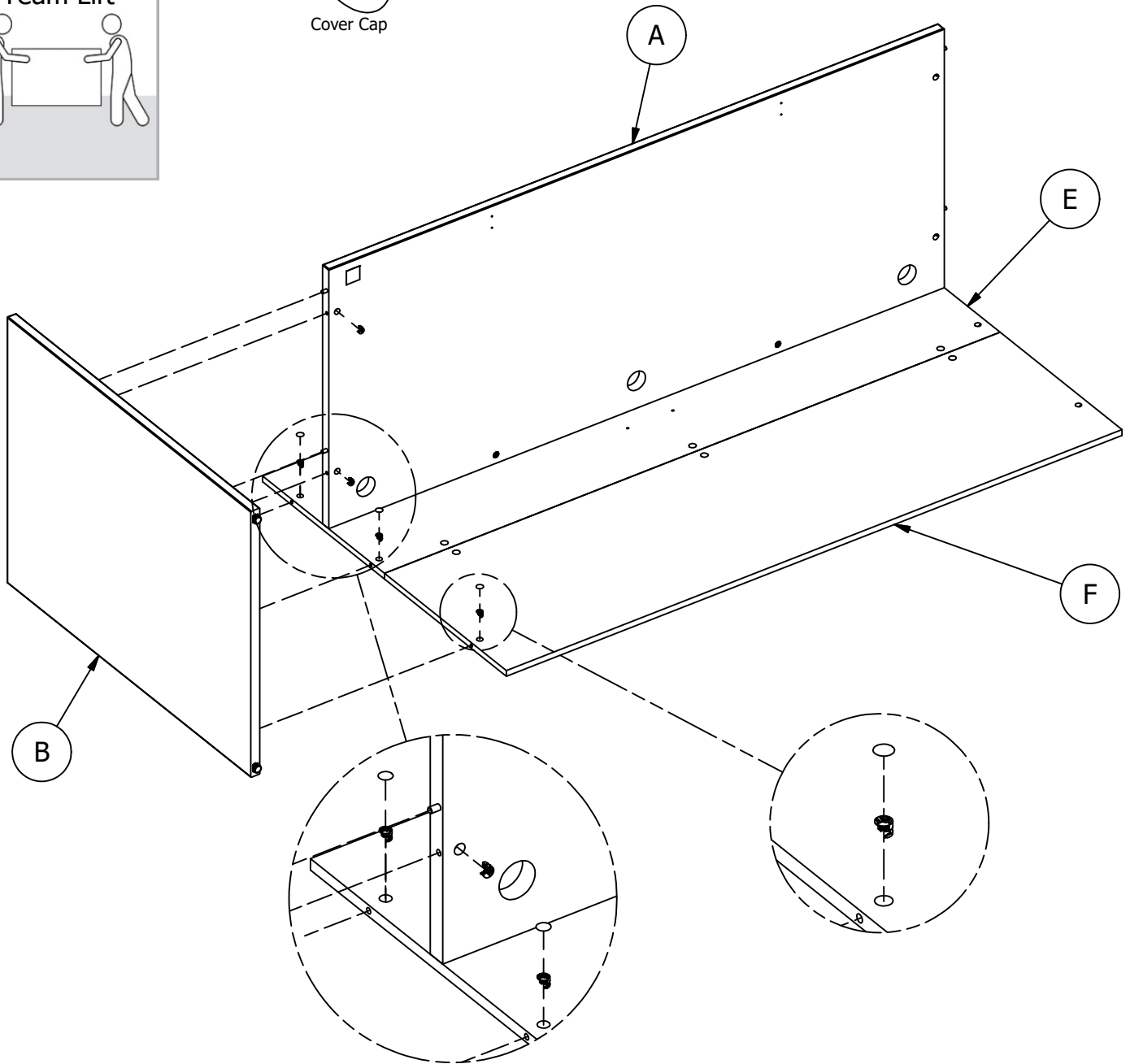


[ 5 ]



[ 3 ]

Cover Cap




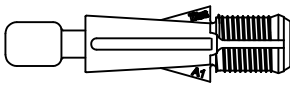
Have an assembly question or need a replacement part? Just call **1-800-950-4782**, we are here to help.

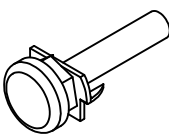
# STEP 6

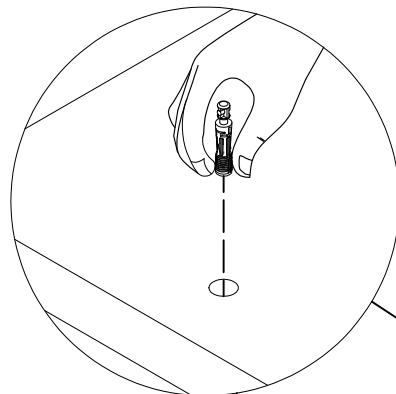
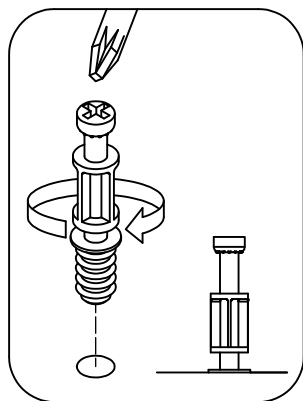
# Prepare Panel

A218651

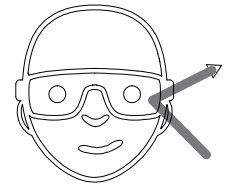
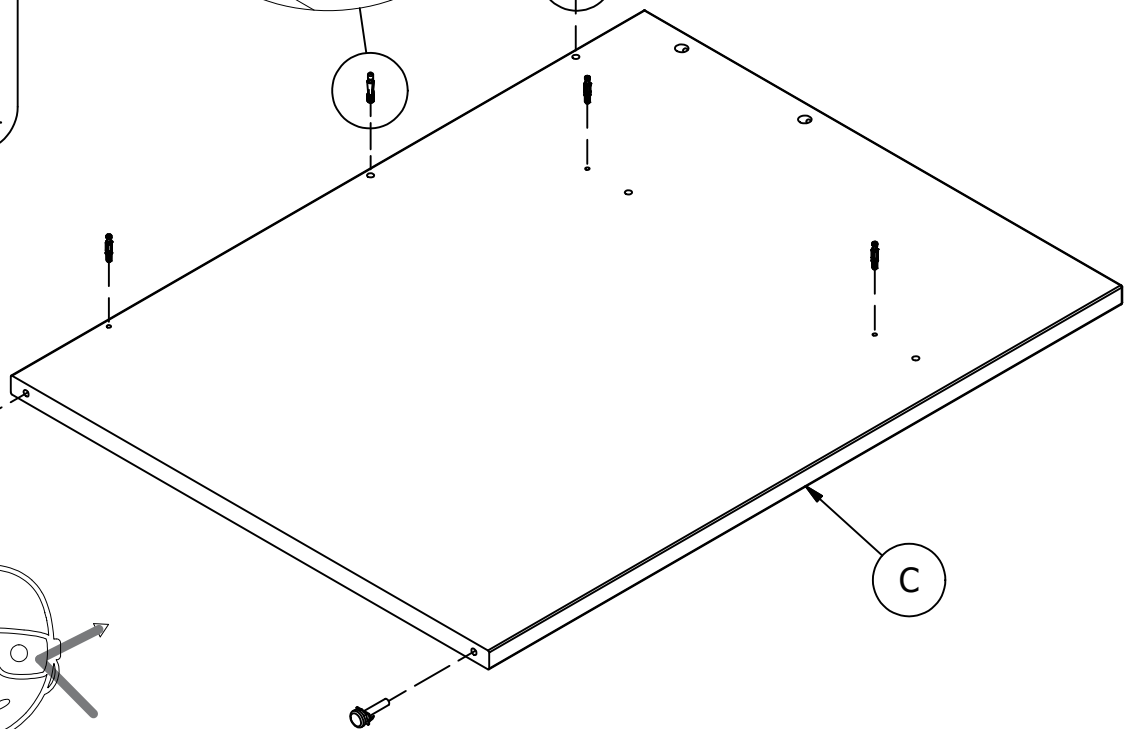
H72988  [ 3 ]  
KD Bolt

H171556  [ 2 ]  
Quickfit TL4

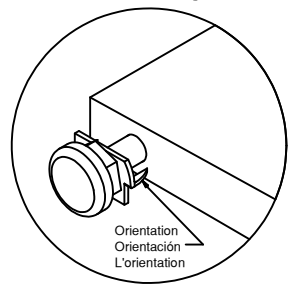
H209601  [ 2 ]  
Leveler



H171556



Safety glasses  
Gafas de seguridad  
Lunettes de protection



Have an assembly question or need a replacement part? Just call **1-800-950-4782**, we are here to help.

# STEP 7

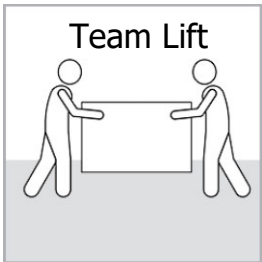
## Assemble Panels

A218651

Scan QR Code to Watch Video on:



How to Tighten KD Cams

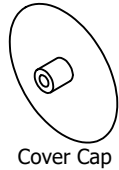
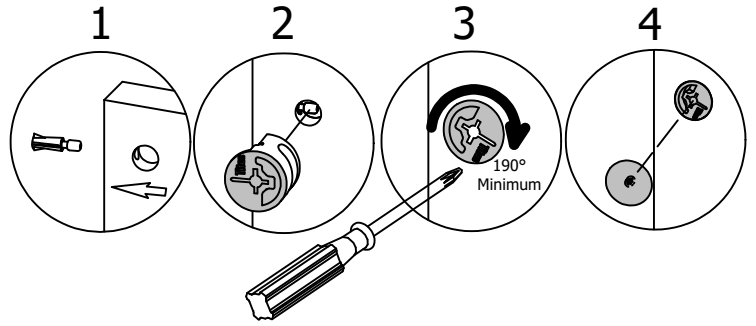


H181468US



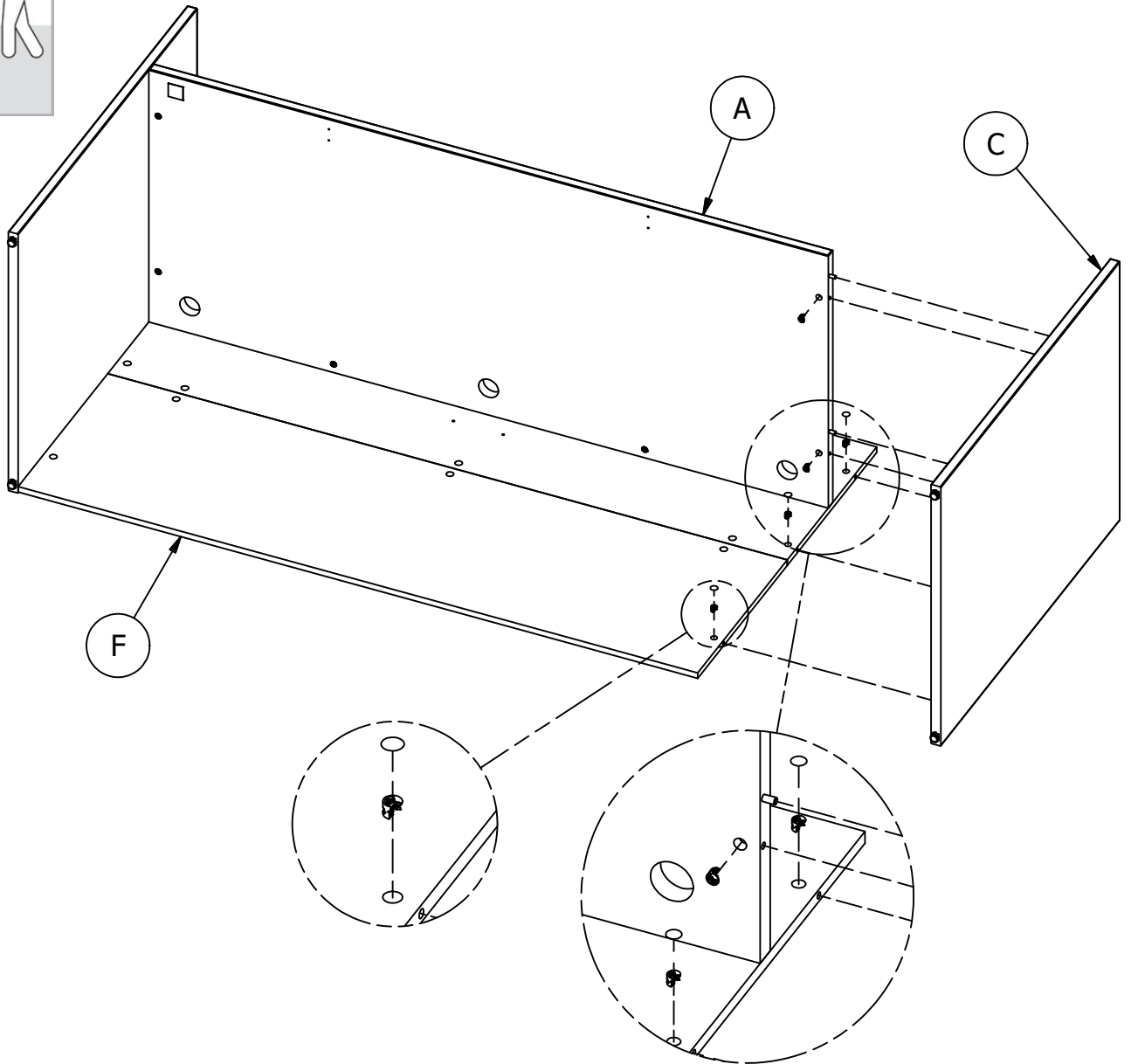
[ 5 ]

KD Cam3000



[ 3 ]

Cover Cap

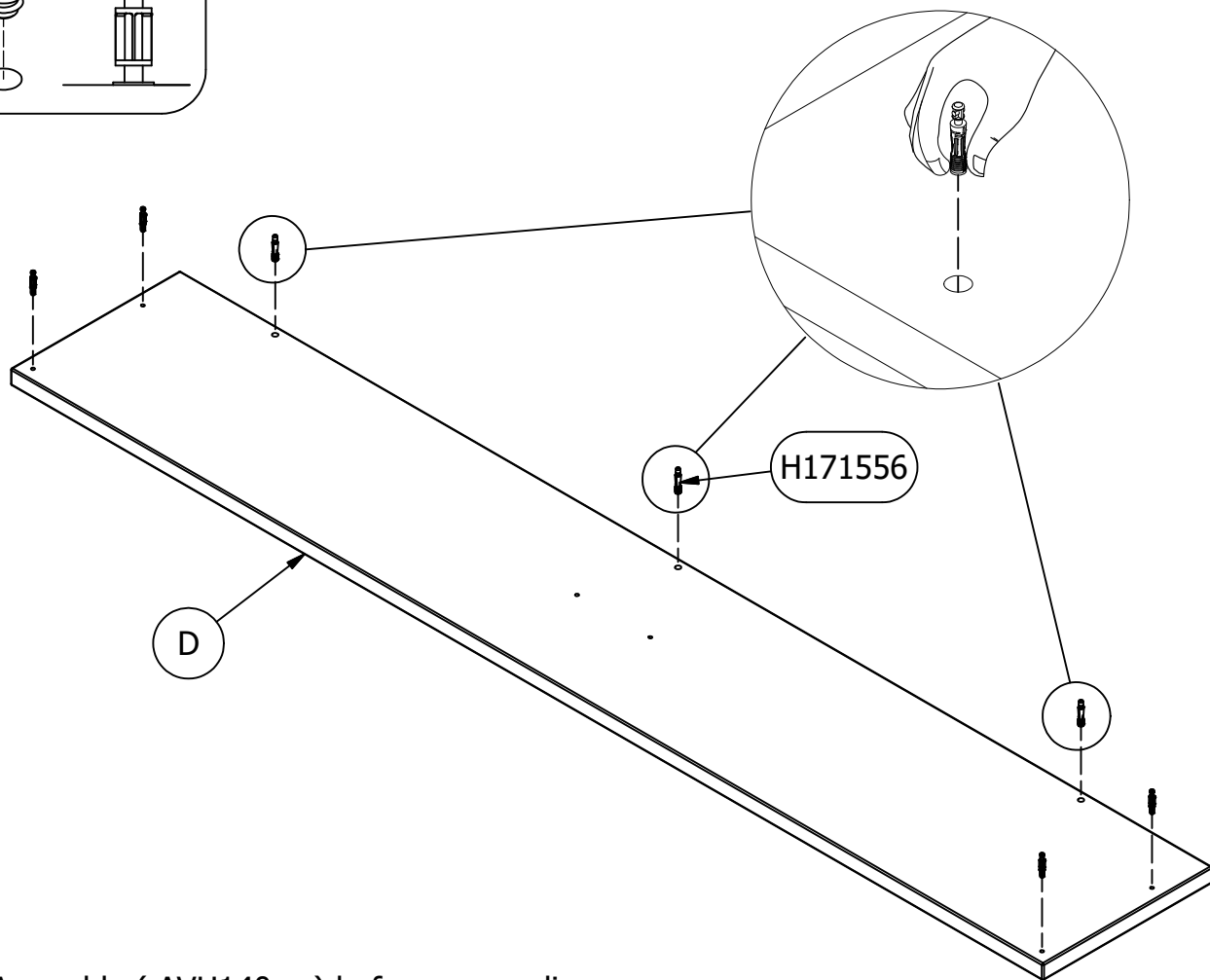
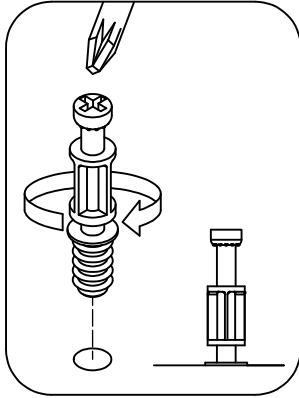
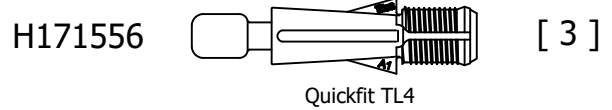
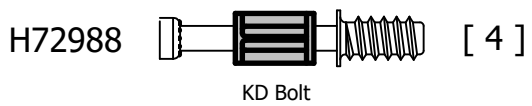


Have an assembly question or need a replacement part? Just call **1-800-950-4782**, we are here to help.

# STEP 8

# Prepare Panel

A218651



Assemble ( AVH140xx ) before proceeding.  
Montar ( AVH140xx ) antes de proceder.  
Assemble ( AVH140xx ) avant de procéder.

Have an assembly question or need a replacement part? Just call  
**1-800-950-4782**, we are here to help.

# STEP 9

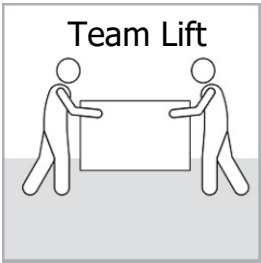
# Assemble Panels

A218651

Scan QR Code to Watch Video on:



How to Tighten KD Cams



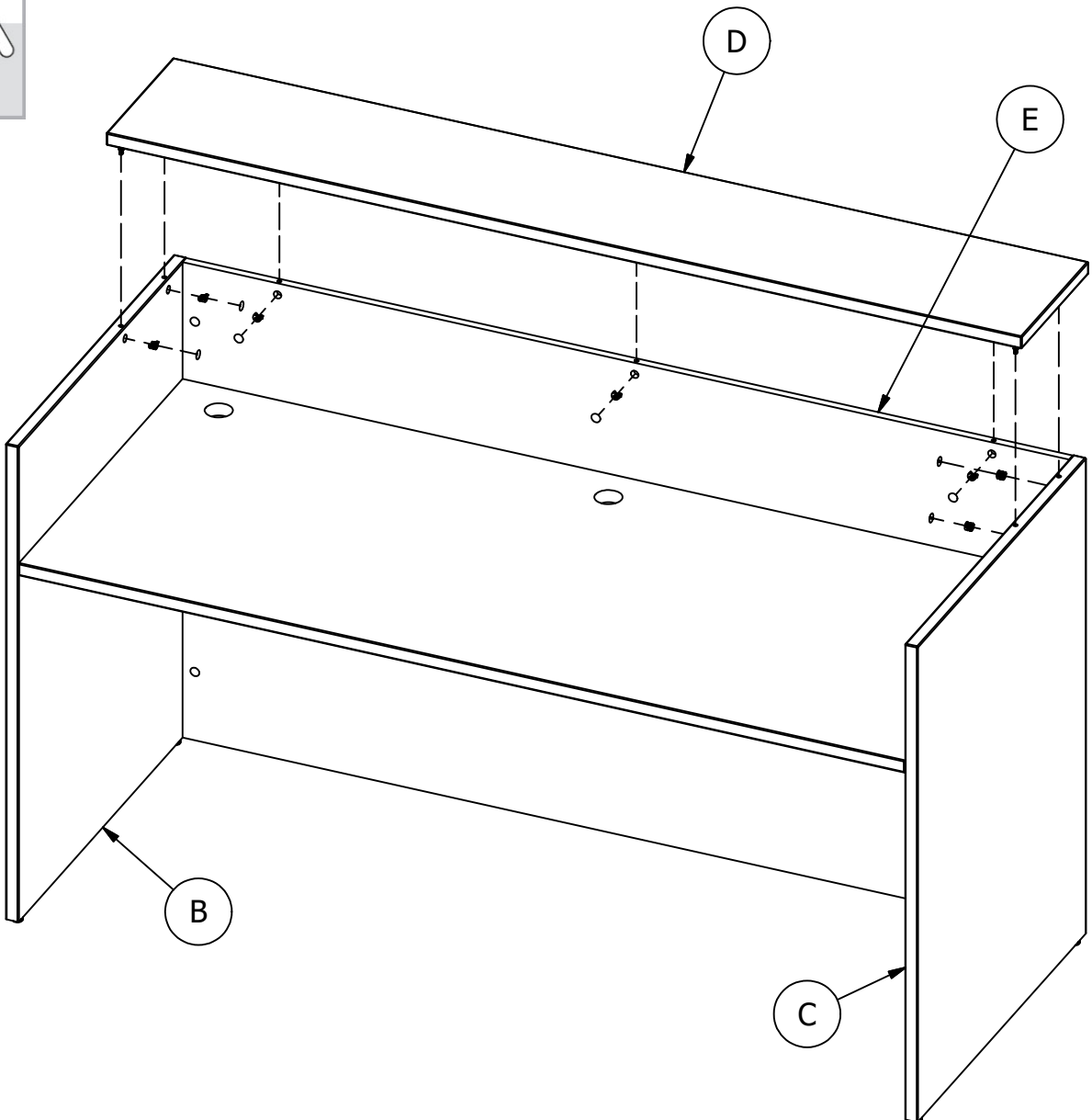
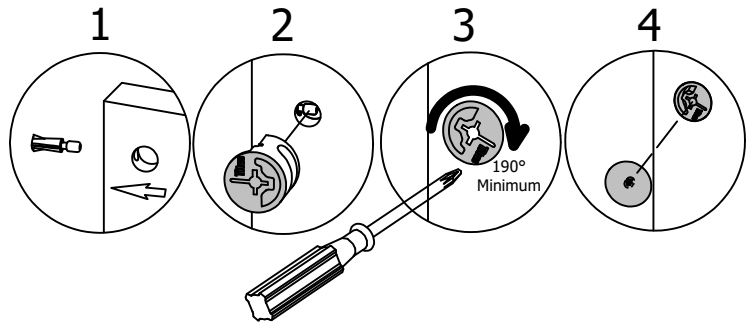
H181468US



[ 7 ]



[ 7 ]



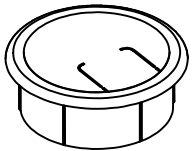
Have an assembly question or need a replacement part? Just call **1-800-950-4782**, we are here to help.

Scan QR Code to Watch Video on:



How to Clean the Surface

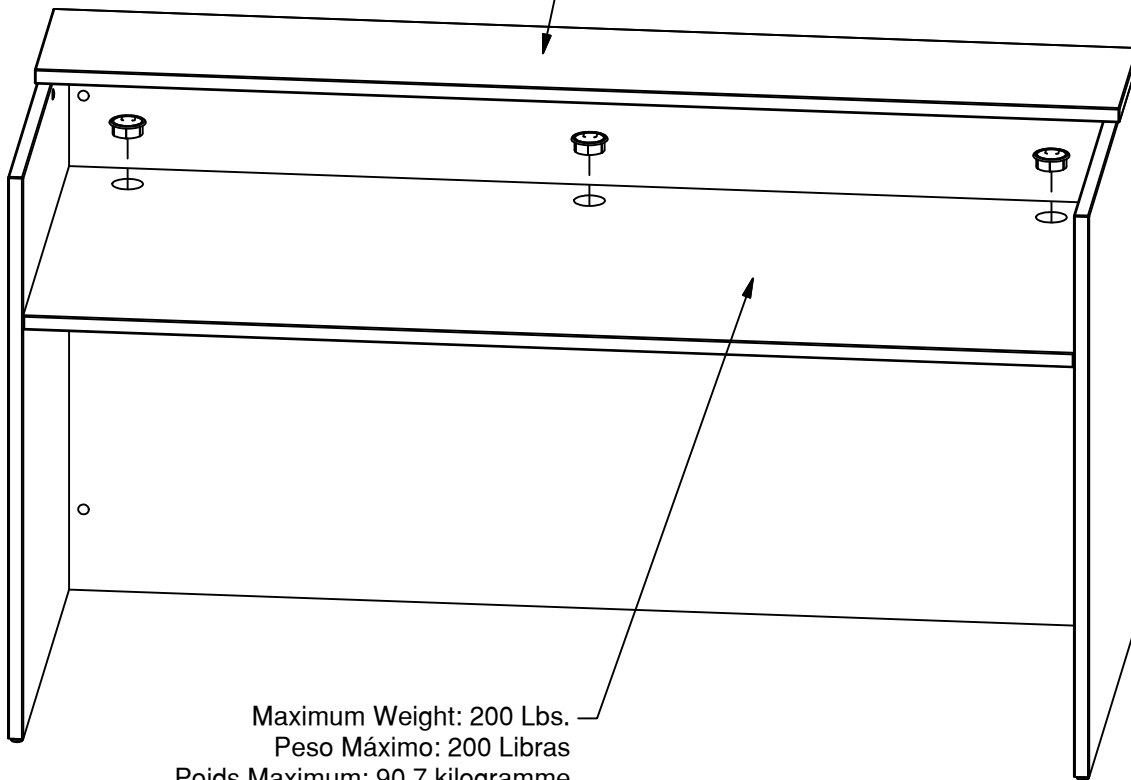
Gently clean surfaces with a damp sponge eraser.



Grommet

[ 3 ]

Maximum Weight: 200 Lbs.  
Peso Máximo: 200 Libras  
Poids Maximum: 90.7 kilogramme



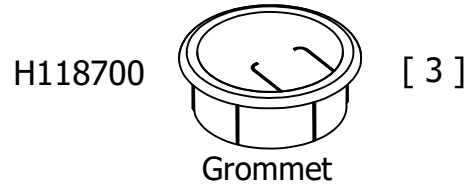
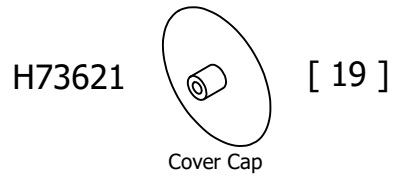
Maximum Weight: 200 Lbs.  
Peso Máximo: 200 Libras  
Poids Maximum: 90.7 kilogramme

Congratulations! You are all done. If you have any questions or concerns, please call.

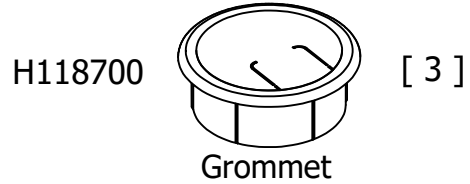
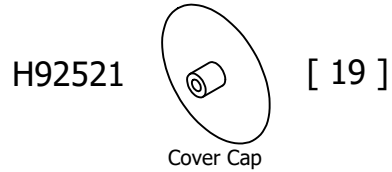
Have an assembly question or need a replacement part? Just call **1-800-950-4782**, we are here to help.



| AVD172MR   |             |     |
|------------|-------------|-----|
| LABEL CODE | Part Number | QTY |
| A          | W218633     | 1   |
| B          | W218634     | 1   |
| C          | W218635     | 1   |
| D          | W218638     | 1   |
| E          | W218636     | 1   |
| F          | W218637     | 1   |



| AVD172SG   |             |     |
|------------|-------------|-----|
| LABEL CODE | Part Number | QTY |
| A          | W218639     | 1   |
| B          | W218640     | 1   |
| C          | W218641     | 1   |
| D          | W218644     | 1   |
| E          | W218642     | 1   |
| F          | W218643     | 1   |



| AVD172NE   |             |     |
|------------|-------------|-----|
| LABEL CODE | Part Number | QTY |
| A          | W218645     | 1   |
| B          | W218646     | 1   |
| C          | W218647     | 1   |
| D          | W218650     | 1   |
| E          | W218648     | 1   |
| F          | W218649     | 1   |

