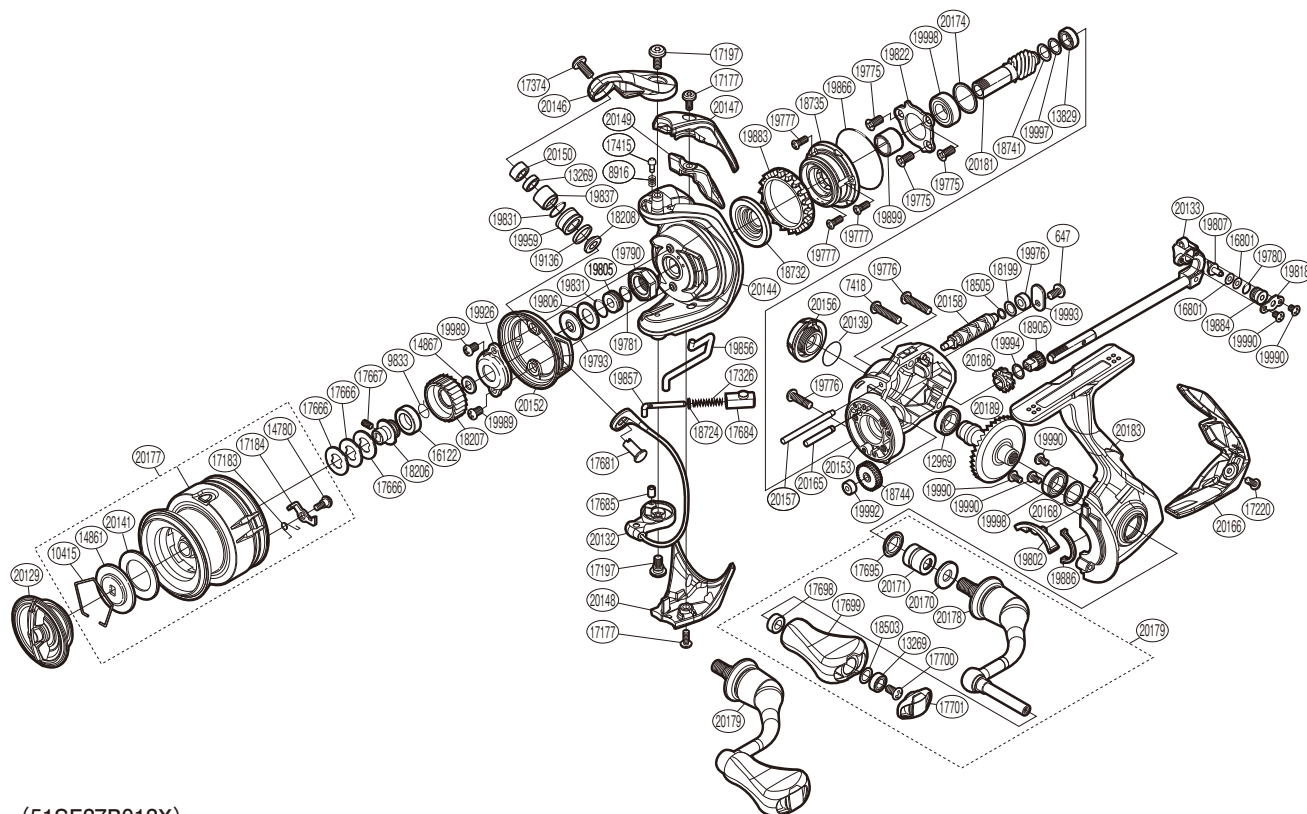


SHIMANO

STRADIC

STRADIC1000HGL



(51SF27B012X)

#	Part No.	Description	#	Part No.	Description	#	Part No.	Description
647	10QG5	Screw	18503	101BD	Washer	19989	103GW	Screw
7418	10L6L	Screw	18505	101BS	Washer	19990	1055H	Screw
8916	10CH0	Click Spring	18724	101D9	Spring Guide A Support	19992	1009G	Worm Bushing (Front)
9833	107V2	Ratchet Spring	18732	101D5	Rotor Ring	19993	10S7C	Worm Shaft Retainer
10415	10B6L	Drag Washers Retainer	18735	10S2L	Roller Clutch Assembly	19994	10TBA	Washer
12969	107FA	Ball Bearing	18741	10SYU	Washer	19997	10HE5	Washer
13269	104VX	Ball Bearing	18744	10DK0	Idle Gear	19998	10DZB	Ball Bearing
13829	104JZ	Ball Bearing	18905	10021	Idle Gear S	20129	10E61	Drag Knob Assembly
14780	10A6F	Screw	19136	10RFZ	Line Roller Spacer	20132	101HL	Bail Assembly
14861	10BBM	Key Washer	19775	100WY	Screw	20133	101HM	Main Shaft Assembly
14867	103PE	Spool Support	19776	100WP	Screw	20139	10E3K	O Ring
16122	10J3F	Spool Bushing	19777	100WT	Screw	20141	10E7L	Drag Washer
16801	10K9C	Washer	19780	100WX	O Ring	20144	10RS5	Rotor
17177	10PS2	Screw	19781	10DXE	O Ring	20146	10RRH	Bail Arm
17183	10BQF	Drag Click Spring	19790	1018F	Rotor Nut	20147	10RS7	Bail Spring Cover
17184	102H5	Drag Click	19793	1017W	Bearing Water Proof	20148	10RRG	Bail Hold Support Guard
17197	10PS5	Screw	19802	1017Y	Bail Trip Strike	20149	10RSN	Counter Weight
17220	10PRZ	Screw	19805	10RDL	Main Shaft Collar	20150	10E44	Line Roller Collar
17326	10R2N	Bail Spring	19806	10DXD	Washer	20152	10RRM	Rotor Brim
17374	10K90	Screw	19807	1018D	Oscillating Pawl	20153	10RRF	Body
17415	106ZC	Click Pin	19818	10182	Oscillating Pawl Cover	20156	10RSE	Handle Screw Cap
17666	10BU9	Spool Washer	19822	10DWD	Bearing Retainer	20157	10E60	Oscillating Guide A
17667	10PN3	Set Screw	19831	1009E	O Ring	20158	10E62	Worm Shaft
17681	10TPC	Line Roller Support	19837	1009K	Line Roller Bushing	20165	10E5Q	Idle Gear B Shaft
17684	107AB	Bail Spring Guide B	19856	10E5Y	Bail Trip Lever	20166	10RS4	Rear Protector
17685	10TRC	Bail Spring Guide A Bush	19857	10SAN	Bail Spring Guide A	20170	10E5X	Washer
17695	10FXV	Handle Shaft Seal	19866	1009Z	O Ring	20171	10DZE	Handle Shaft Cover B
17698	10PXZ	Handle Knob Bushing	19883	10QXQ	Friction Ring	20174	10E55	Washer
17699	10328	Handle Knob	19884	1009L	Oscillating Slider Bushing	20177	10RU9	Spool Assembly
17700	10LFA	Screw	19886	1009W	Flange Water Proof	20178	101HN	Handle Shank Assembly
17701	10TNJ	Handle Knob Seal	19899	1009Y	Roller Clutch Inner	20179	10RU8	Handle Assembly
18199	10ECK	Washer	19926	1076N	Rotor Nut Lock Plate	20181	10RU6	Pinion Gear
18206	10THY	Bearing Bushing	19959	1009A	Line Roller	20183	100YS	Side Cover Assembly
18207	10SYS	Drag Click Ratchet	19976	1009C	Worm Bushing (Rear)	20186	1002D	Idle Gear L
18208	10TJM	Spacer	19988	10DZ3	Washer	20189	10TGA	Drive Gear

Please note that the number of adjusting washers may not be the same as shown in the exploded views.
(Adjustment will vary with each individual product.)

(240704)_008