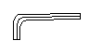






ASSEMBLY INSTRUCTION

ITEM# 5960-75206B-BLK Balcones 60in Friendship Table Base
 5960-75206T-BRN Balcones 60in Table Top w/2-12in Leaves

** Please make sure you have all parts indicated below prior to assembly.
 This unit is heavy and can best be assembled with the help of two or more people.

NO.	HARDWARE LIST		Q'TY
A		ALLEN WRENCH	1
B		45MM BOLT	12
C		LOCK WASHER	24
D		FLAT WASHER	24
E		100MM BOLT	12

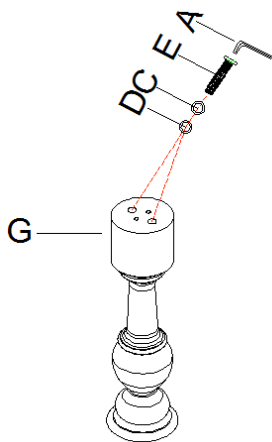
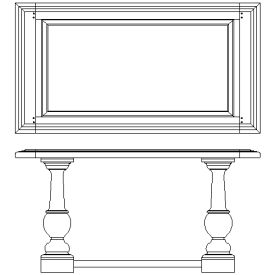
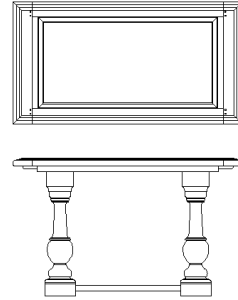


Diagram 1

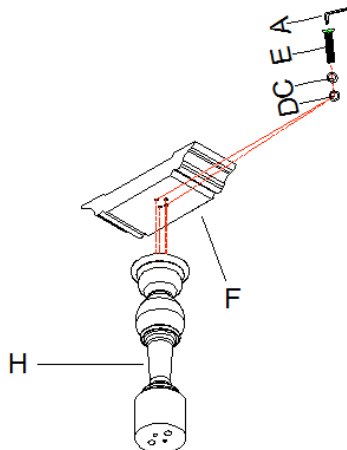


Diagram 2

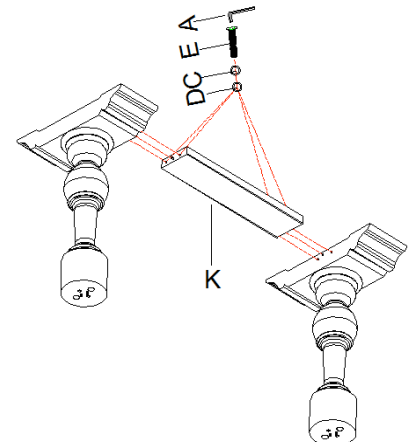


Diagram 3

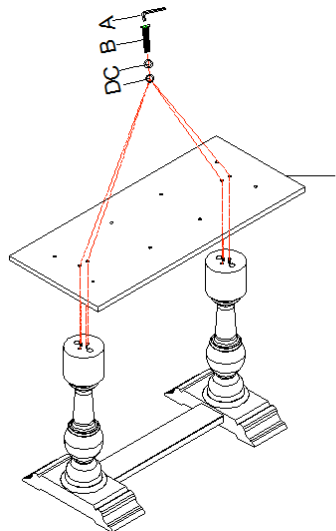


Diagram 4

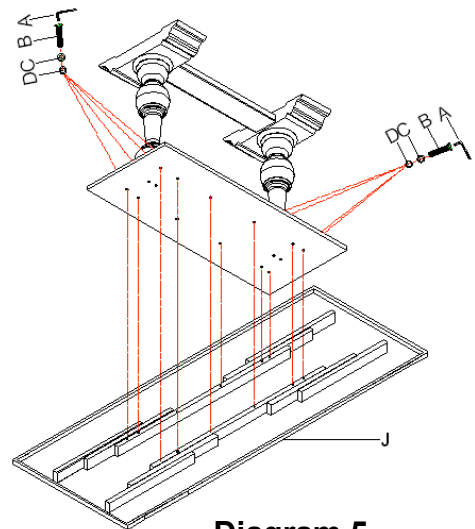


Diagram 5

Note:

1. Leaves cannot be switchable. Follow numbers on leaves and top when assemble.
2. Height of this table can be adjusted with or without the extension blocks.

Assembly steps with extension blocks:

1. Tighten extension blocks (G) on posts by inserting bolts (E), lock washers (C) and flat washers (D), sure bolts with allen wrench (A) in clockwise direction. (See Diagram 1)
2. Screw posts (H) to bases (F) by using bolts (E), lock washers (C) and flat washers (D), secure with allen wrench (A) in clockwise direction. (See Diagram 2)
3. Attach stretcher (K) to bases with bolts (E), lock washers (C) and flat washers (D), sure all by allen wrench (See Diagram 3)
4. Attach mounting plate (I) to post by using bolts (B), lock washers (C) and flat washers (D), tighten all with allen wrench (A). (See Diagram 4)
5. Place table top (J) upside down on a soft surface to prevent it from being scratched. Put whole base onto top to make sure all pre-drilled holes are in alignment, well insert bolts (B), lock washers (C) and flat washers (D), tighten bolts by turning with allen wrench (A) in clockwise direction. (See Diagram 5)
6. Turn table upright.

Assembly steps without extension blocks:

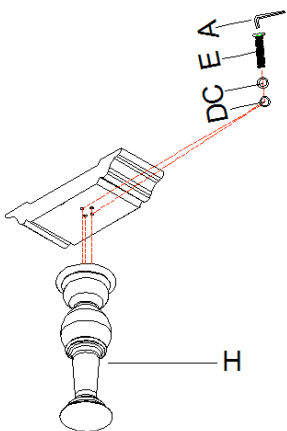


Diagram 6

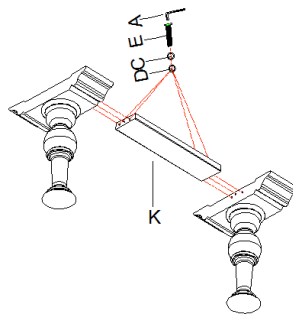


Diagram 7

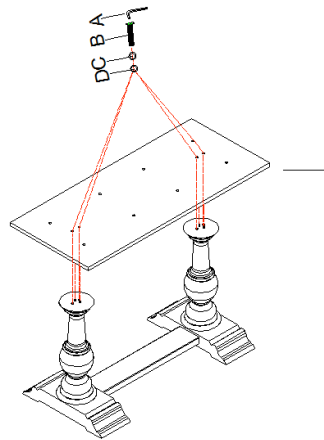


Diagram 8

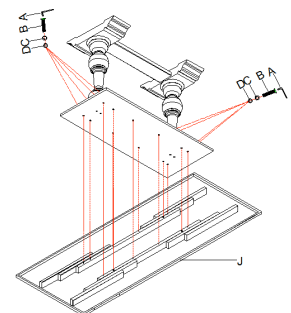


Diagram 9

1. Remove extension blocks from posts directly, then assemble table as the above steps. (See Diagram 6 & 7 & 8 & 9)

Instruction for table leaves:

1. There are latches at the bottom of table top, turn off the latches as shown in Diagram 10.
2. Pull out table top as the arrow direction shown in Diagram 11.
3. Follow numbers on table leaves and top, place table leaves between and push table tops together.
4. Turn on latches. (see Diagram 10)
5. Take opposite actions to remove table leaves.

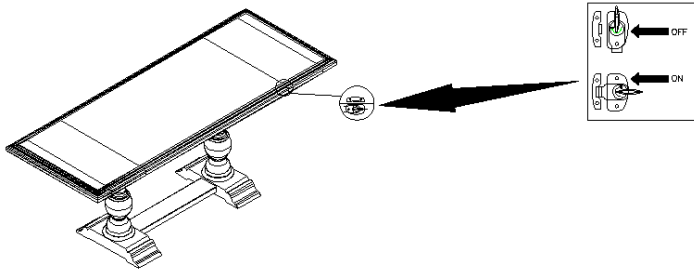


Diagram 10

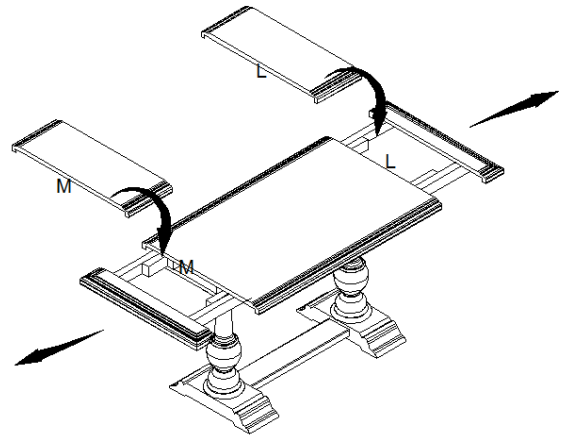


Diagram 11

Cleaning Instruction: Clean finished parts with a damp cloth using a mild dishwashing liquid and water solution. Polish the finish with soft cloth and an industry recognized furniture polish.