



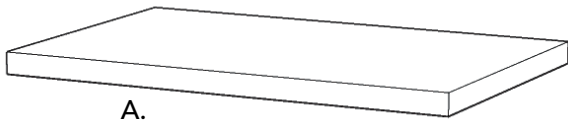
**IMPORTANT**

Carefully remove all the parts from the carton and place them individually on a soft cloth to prevent scratches or other damage.

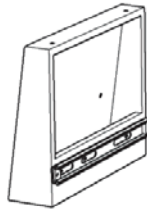
Carefully and strictly follow these assembly instructions to ensure a completed product as designed.

Do not use power tools above 8 volts to assemble.

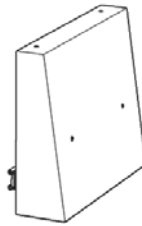
**Part List**



A.  
Top  
1 pc.



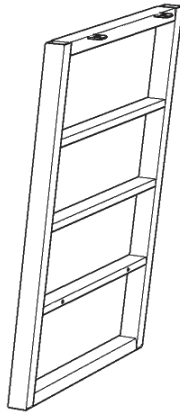
B.  
Side Box  
1 pc.



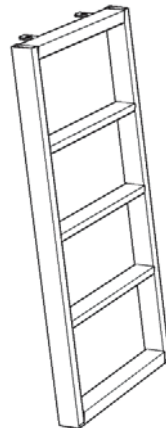
C.  
Side Box  
1 pc.



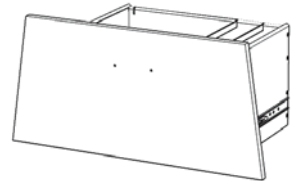
D.  
Back Panel  
1 pc.



E.  
Side Frame  
1 pc.



F.  
Side Frame  
1 pc.



H.  
Drawer  
1 pc.

Refer to later page(s) of these instructions for drawer assembly.



G.  
Shelf  
1 pc.

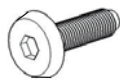


I.  
Metal Strip  
2 pcs.

**Hardware List**



Hex Wrench  
1 pc.



M6x16  
Head Cap Bolt  
4 pcs. (+1 extra)



Spring Washer  
4 pcs. (+1 extra)



Flat Washer  
4 pcs. (+1 extra)



M4x32  
Machine Screw  
2 pcs.



Small Hex Wrench  
1 pc.



M6x28  
Tapered Bolt  
8 pcs. (+1 extra)



M3x25  
Flat Head Screw  
28 pcs. (+1 extra)



Dowel  
6 pcs. (+1 extra)



Handle  
1 pc.

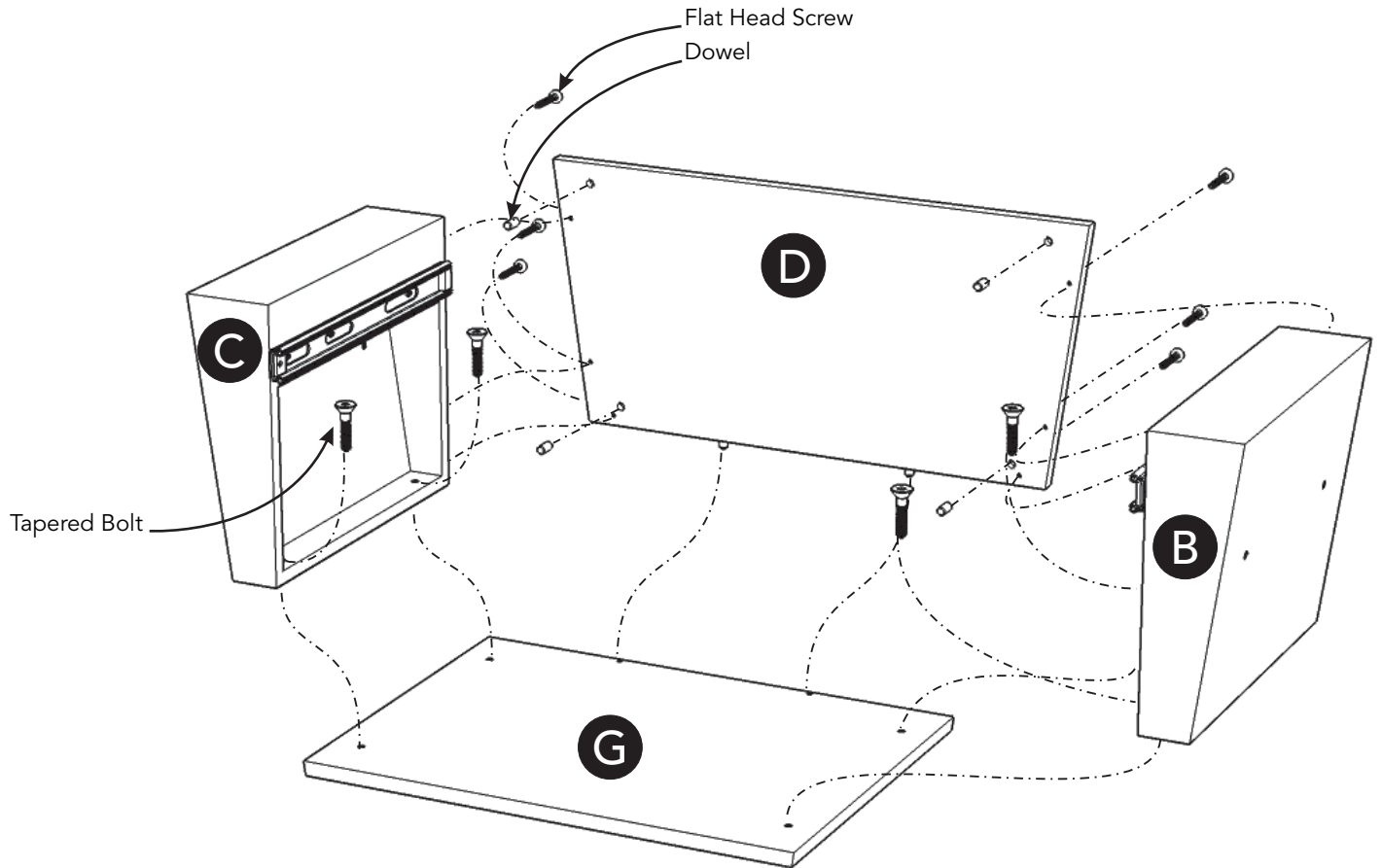
Tool(s) required for assembly: Phillips screwdriver, Level

Home Styles Customer Service: [www.homestyles-furniture.com](http://www.homestyles-furniture.com),  
[servicedesk@homestyles-furniture.com](mailto:servicedesk@homestyles-furniture.com), 888-680-7460, 877-831-0319

## Assembly Instructions 2/5

### IMPORTANT

- Use a soft cloth between these parts and the floor.
- Do not use power tools above 8 volts to assemble.
- The unit must be level to work properly. Use the included adjustable levelers to level.
- Keep Hex Wrench as the bolts may need to be tightened in the future.



### STEP 1

Place Shelf (G) upside down on a soft cloth.

Attach Side Boxes (B) and (C) to Shelf (G) with Tapered Bolts, tightening bolts only halfway. (See Figure 1)

Attach Back Panel (D) to unit with Dowels and Flat Head Screws.

Tighten all bolts.

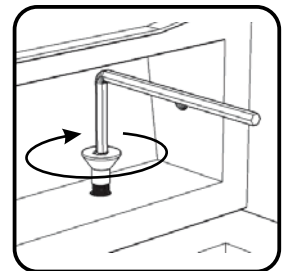
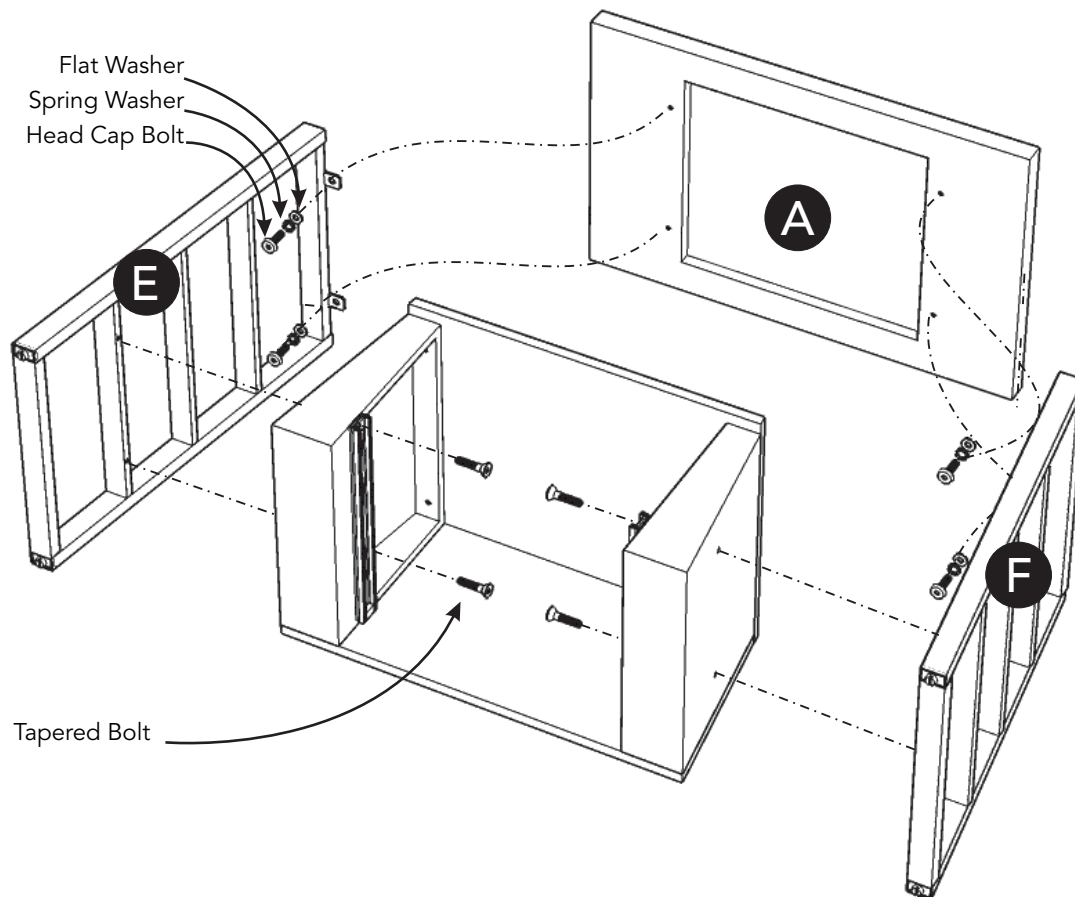


Figure 1

## Assembly Instructions 3/5



### STEP 2

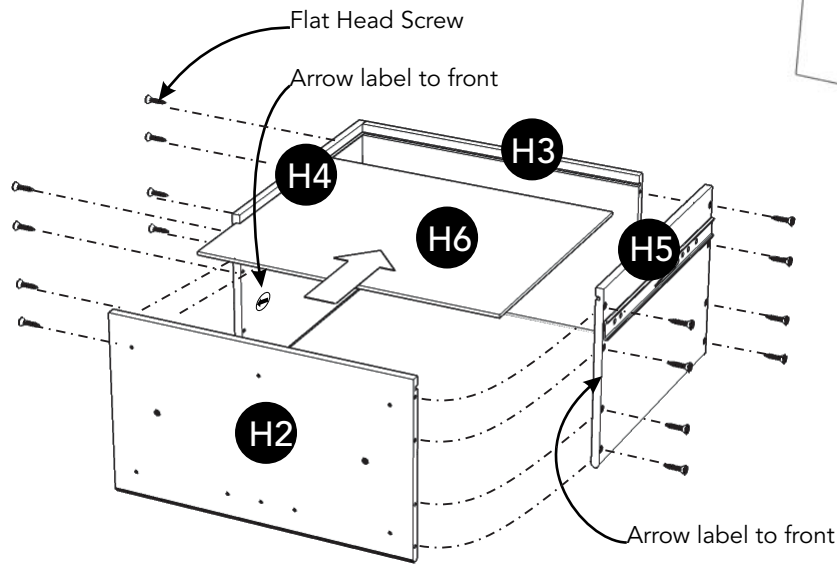
Attach Side Frames (E) and (F) to unit with Tapered Bolts, tightening bolts only halfway.

Attach Top (A) to unit with Head Cap Bolts, Spring Washers and Flat Washers, tightening bolts only halfway.

Tighten all bolts.

# Assembly Instructions 4/5

## Drawer (H)



### STEP 3

Attach Drawer Sides (H4) and (H5) to Drawer Back (H3) with Flat Head Screws.

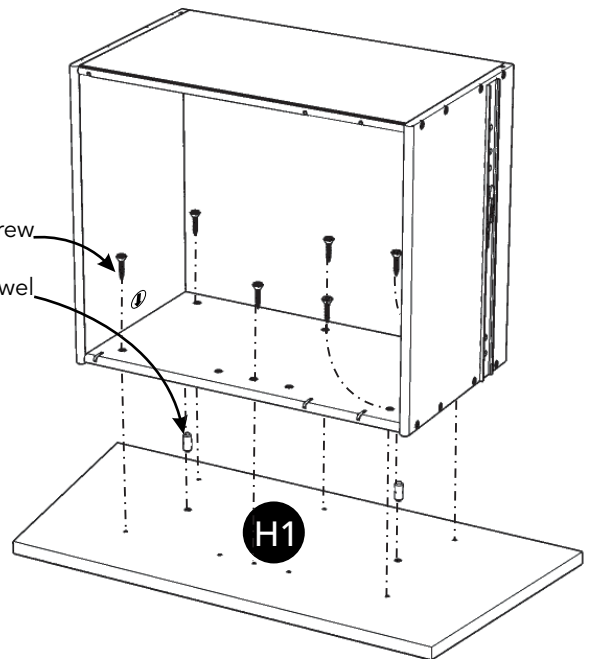
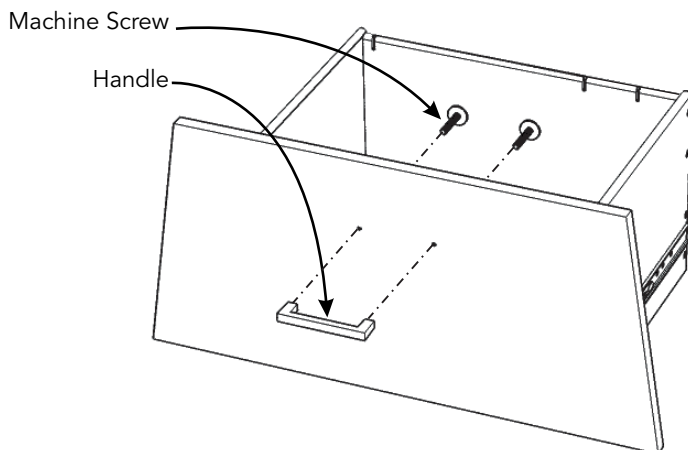
Slide Drawer Bottom (H6) into groove.

Attach Drawer Front (H2) to unit with Flat Head Screws.

### STEP 4

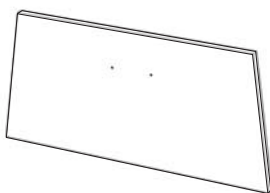
Place Drawer Front (H1) face down on a soft cloth.

Attach unit to Drawer Front (H1) with Dowels and Flat Head Screws.

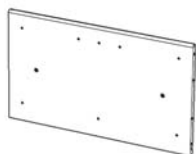


### STEP 5

Attach Handle with Machine Screws.



H1.  
Drawer Front  
1 pc.



H2.  
Drawer Front  
1 pc.



H3.  
Drawer Back  
1 pc.



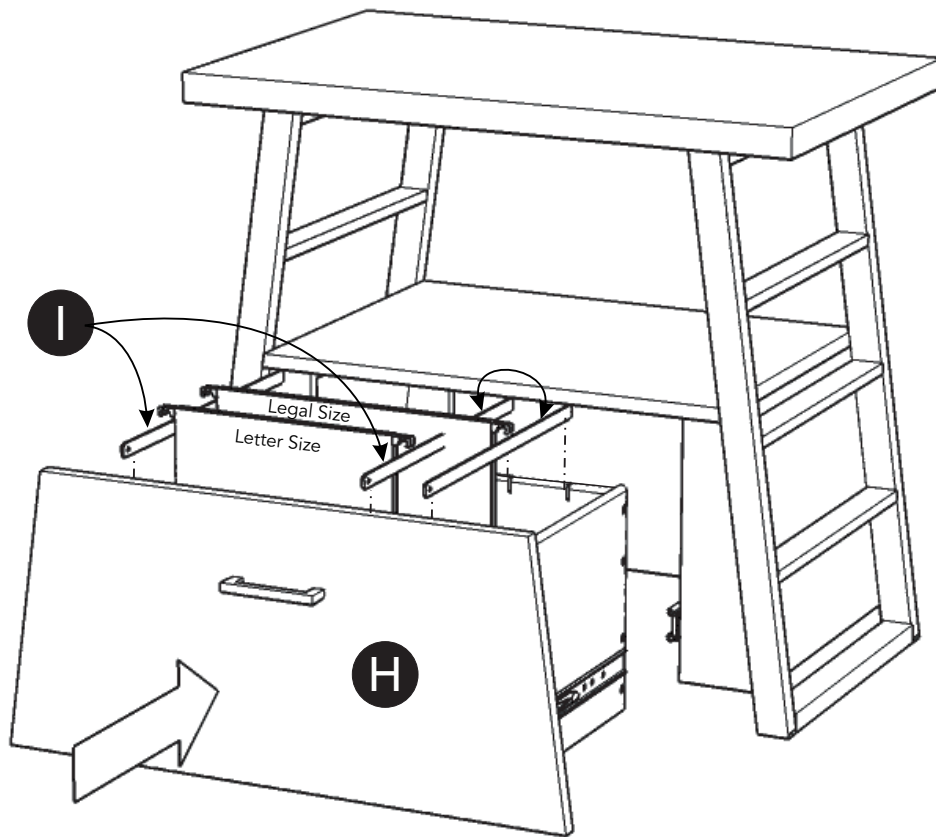
H4.  
Drawer Side  
1 pc.



H5.  
Drawer Side  
1 pc.



H6.  
Drawer Bottom  
1 pc.



## STEP 6

Turn unit from Step 2 to its' upright position.

Slide Drawer (H) into position.

Note: To remove Drawer (H) in future, push plastic lever on left side up, push plastic lever on right side down and pull open. (See Figures 2 and 3)

Place Metal Strips (I) into position.

Metal strips can be adjusted for letter or legal files.

Level unit by adjusting the adjustable levelers on bottom of unit. (See Figure 4)

Note: Unit must be level to work properly.

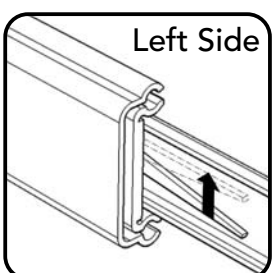


Figure 2

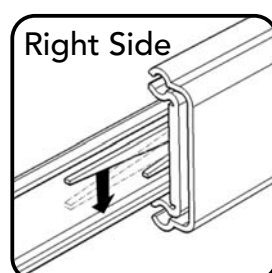


Figure 3

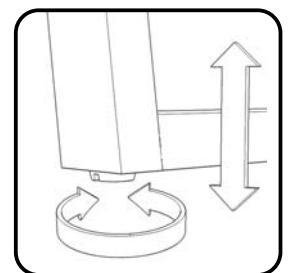


Figure 4

# CARE INSTRUCTIONS

## NEVER

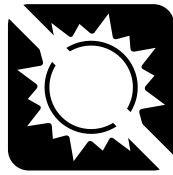
allow liquids to remain on furniture.  
Absorption causes parts to warp  
and split and finishes to delaminate.

## NEVER

use glass cleaners on  
finished furniture. Ammonia  
chemically attacks the finish.



Do not use power tools  
above 8 volts to assemble.  
**PREVENT  
CRACKING**



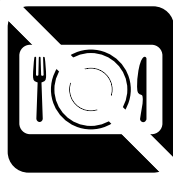
Do not place  
in direct sunlight.  
**PREVENT  
FADING**



Do not write  
directly on surface.  
**PREVENT  
MARKING**



Do not place hot  
objects on surface.  
**PREVENT  
FINISH DAMAGE**



Do not use rubber  
based placemats.  
**PREVENT  
DISCOLORING**



Do not use commercial  
waxes and polishes.  
**PREVENT  
YELLOWING**

## CLEAN

with a soft cloth moistened  
in lukewarm soap and water.  
Buff with a dry clean cloth.



Home Styles will provide replacements free of charge for missing or damaged hardware or parts within 30 days of purchase. Digital images of the defective parts may be required. If the product was not purchased from an authorized retail affiliate, Home Styles is under no obligation to provide replacement parts. Parts are not available for fully assembled items nor are parts available for sale. Replacements for missing or damaged hardware or parts may be requested at:

[www.homestyles-furniture.com/customer-service/replacement-parts](http://www.homestyles-furniture.com/customer-service/replacement-parts)

Home Styles Customer Service: [www.homestyles-furniture.com](http://www.homestyles-furniture.com),  
[servicedesk@homestyles-furniture.com](mailto:servicedesk@homestyles-furniture.com), 888-680-7460, 877-831-0319