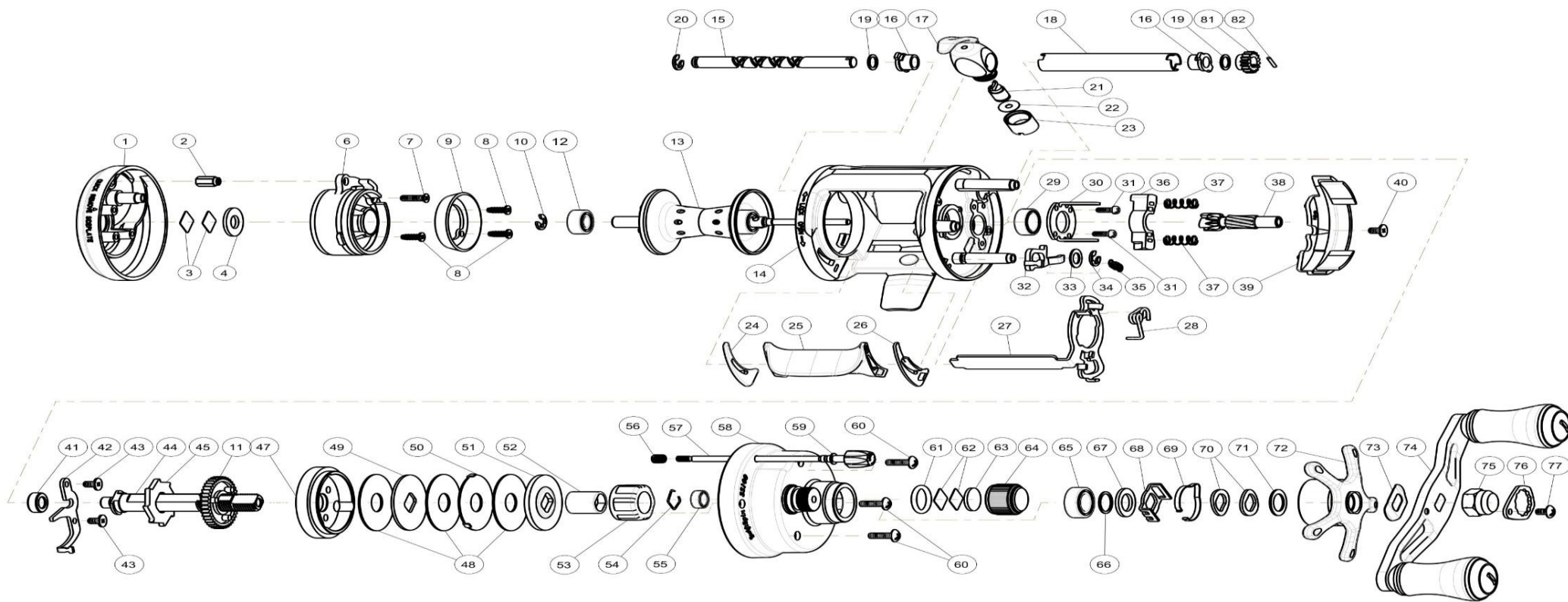


QUANTUM

NO100R



Quantum NO100R Baitcast Reel Part List

Key #	Description	Qty.	Part No.	Key #	Description	Qty.	Part No.
1	Palm Side Cover	1	NA023-01	42	Crank Shaft Retainer	1	NA002-01
2	Palm Side Cover Locking Nut	1	NA122-01	43	Crank Shaft Retainer Screw	1	ZA053-01
3	Spool Tension Shim	2	NA032-01	44	Crank Shaft	1	NA008-01
4	Tension Shim Keeping Washer	1	MB038-01	45	Trip Ratchet	2	NA083-01
5	Idle Gear	1	N/A	46	Ratchet Washer	1	NA111-01
6	Spool Cover	1	NA051-01	47	Drive Gear	1	NA012-01
7	Idle Gear Screw	1	MB053-01	48	Drag Disc	1	NA059-01
8	Spool Cover Screw	3	NA057-01	49	Drag "D" Washer	1	NA045-01
9	Brake Ring	1	NA042-01	50	Drag Key Washer	3	NA048-01
10	E-Clip	1	QW120-01	51	Drag Washer	1	LB045-01
11	O/S Drive Gear	1	MB112-01	52	One Way Clutch Sleeve	1	NA052-01
12	Spool Shaft Ball Bearing - Palm	1	EX017-01	53	One Way Clutch	1	NA063-01
13	Spool Assembly	1	NA321-01	54	Clip Ring	1	NA080-01
14	Frame Assembly	1	NA301-01	55	Spool Shaft Metal Ball Bearing	1	CT157-01
15	Worm Shaft Assembly or Worm Shaft	1	NA072-01	56	Thumb Screw Spring	1	NA070-01
16	Worm Shaft Bushing	2	NA067-01	57	Thumb Screw	1	NA074-01
17	Line Guide Carrier Assembly	1	NA347-01	58	Gear Side Cover Assembly	1	NA324-01
18	Worm Shaft Guide	1	NA016-01	59	Thumb Screw Washer	1	NA038-01
19	Worm Shaft Washer	1	NA035-01	60	Gear Side Cover Screw	1	NA123-01
20	Worm Shaft E-Clip	1	QW120-01	61	Tension Knob O-Ring	1	NA101-01
21	Line Guide Pawl	1	NA006-01	62	Spool Tension Washer	3	NA032-01
22	Line Guide Pawl Washer	1	ZA035-01	63	Spool Cushion Washer	1	NA082-01
23	Line Guide Pawl Cap	1	NA007-02	64	Spool Tension Knob	2	NA033-01
24	Thumb Bar Guide Plate "B"	1	ZA056-01	65	Crank Shaft Ball Bearing	1	TW058-03
25	Thumb Bar	1	NA009-01	66	Crank Shaft Ball Bearing Washer	1	TW035-03
26	Thumb Bar Guide Plate "A"	1	NA056-01	67	Crank Shaft Washer	1	ZW032-02
27	Release Slider	1	NA039-01	68	Star Drag Click Spring Retainer	1	NA110-01
28	Release Slider Spring	1	NA104-01	69	Star Drag Click Spring	2	NA114-01
29	Pinion Gear Ball Bearing	1	KT158-01	70	Drag Spring "D" Washer	1	JX046-01
30	Release Slider Retainer	1	NA140-01	71	Star Drag Washer	1	ZW032-01
31	Release Slider Retainer Screw	2	NA053-01	72	Star Drag Assembly	1	NA355-01
32	Kick Lever	1	NA077-01	73	Handle Washer	1	NA054-01
33	Kick Lever Washer	1	MB035-01	74	Handle Assembly	1	NA318-01
34	Kick Lever Retaining E-Clip	1	QW120-01	75	Handle Nut	1	ZA003-01
35	Kick Lever Spring	1	NA097-01	76	Handle Nut Retainer	1	ZA034-01
36	Pinion Yoke	1	NA025-01	77	Handle Nut Retainer Screw	1	ZA123-01
37	Pinion Yoke Spring	2	NA040-01	78	Spool Clicker Lever	1	N/A
38	Pinion Gear	1	NA011-01	79	Spool Clicker Assembly	1	N/A
39	Drive Gear Cover	1	NA143-01	80	Spool Clicker E-Clip	1	N/A
40	Drive Gear Cover Screw	1	ZA053-01	81	O/S Pinion Gear	1	MB085-01
41	Crank Shaft Bearing (Bushing) -L	1	ZW017-02	82	O/S Pinion Gear Pin		MB093-01