

---

## CONTENTS

Notes - **2**  
Tools Needed - **3**  
Parts - **3**  
Layout Dimensions - **4**  
Arch Height - **6**  
Pill Height - **7**  
Ceiling Mount - **8**  
Mirror Assembly - **12**  
Mounting the Mirror - **14**  
Final Assembly - **16**  
Use and Maintenance - **17**  
Warranty - **18**

[Scan the QR code to see the Sculpt series of products.](#)



Use the camera app on your mobile device to look at this and other QR codes. This will allow you to quickly access web pages and other relevant documents.

---

## GENERAL INFORMATION

This instruction manual contains information on how to install the Sculpt Hanging Mirror. This series comes in several designs. Please refer to the box or product label for the specific model number.

Save these instructions for future use and reference. An improper installation voids the warranty. Carefully inspect the mirror for damage. Installed products cannot be returned.

If you experience any problems with your cabinet, contact your dealer or Robern directly.

Limited Warranty — One Year Term

---

## NOTES

### IMPORTANT SAFETY INSTRUCTIONS

Installation shall be performed by a qualified licensed contractor.

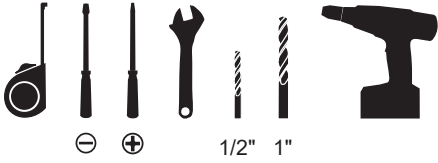
**DANGER:** Read all instructions before installing this product.

**WARNING:** Risk of Injury. Review the assembly instructions to confirm that the appropriate critical components are being used with the mirror.

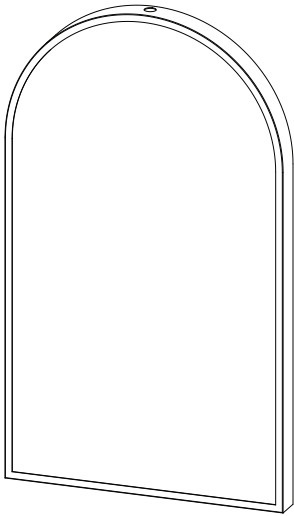
**NOTE:** It is recommended that this product be installed using a 4" round ceiling box rated for a minimum of 50 lbs (23 kg).

### SAVE THESE INSTRUCTIONS

## TOOLS NEEDED

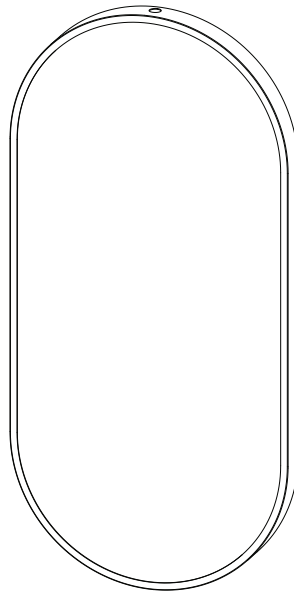


## PARTS



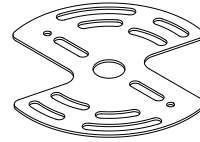
(1) Hanging Arch Mirror

OR



(1) Hanging Pill Mirror

### [216-1279] Hardware Bag



[219-1746]  
(1) Crossbar Plate



[203-1678]  
(1) Hex Jam Nut



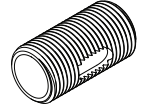
[203-1679]  
(1) Lockwasher



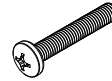
[203-1198]  
(2) #8 Flat Washer



[203-1153]  
(4) #8-32 x 3/4" Screw



[219-1747]  
(3) Down Rod Connector



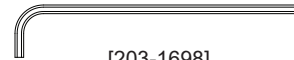
[203-1695]  
(1) M5 x 30mm Screw



[203-1696]  
(2) M5 Split Washer



[203-1697]  
(1) M5 Hex Nut



[203-1698]  
(1) 2mm Allen Key

Depending on the installation required, not all parts will be used.

### [216-1276-XX] Hardware Box



[220-1261-XX]  
(1) Adjustable Down Rod



[220-1262-XX]  
(1) 12" Down Rod Extension



[220-1263-XX]  
(1) 24" Down Rod Extension



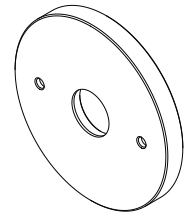
[220-1264-XX]  
(1) Ceiling Adapter



[220-1266-XX]  
(1) Adapter Slip



[203-1681-XX]  
(2) Sleeve Nut



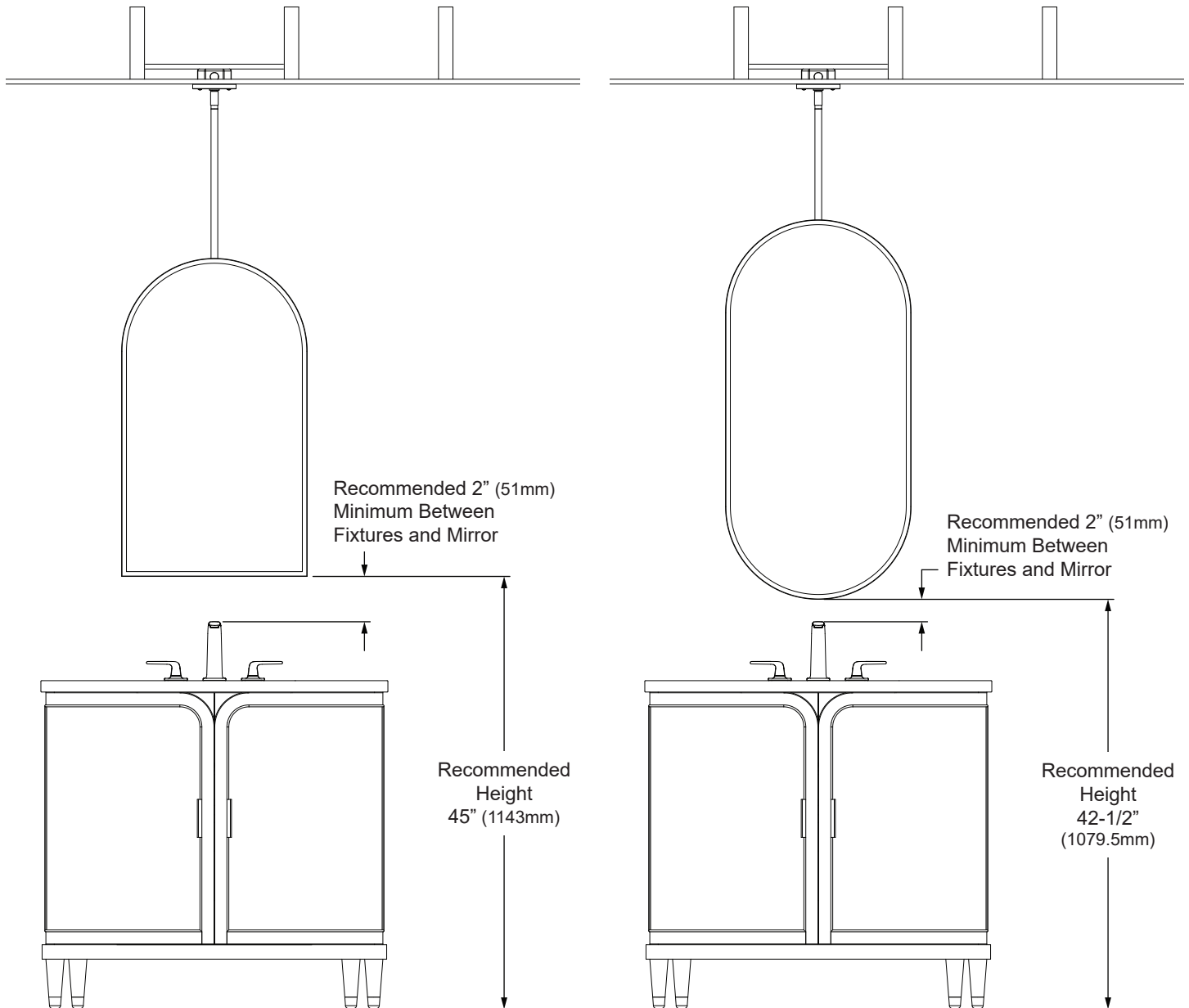
[220-1265-XX]  
(1) Escutcheon

Depending on the installation required, not all parts will be used.

# LAYOUT DIMENSIONS

Using the diagrams below, determine the desired height of the installation. The adjustability of the product allows for fine tuning of the height to meet the user's needs.

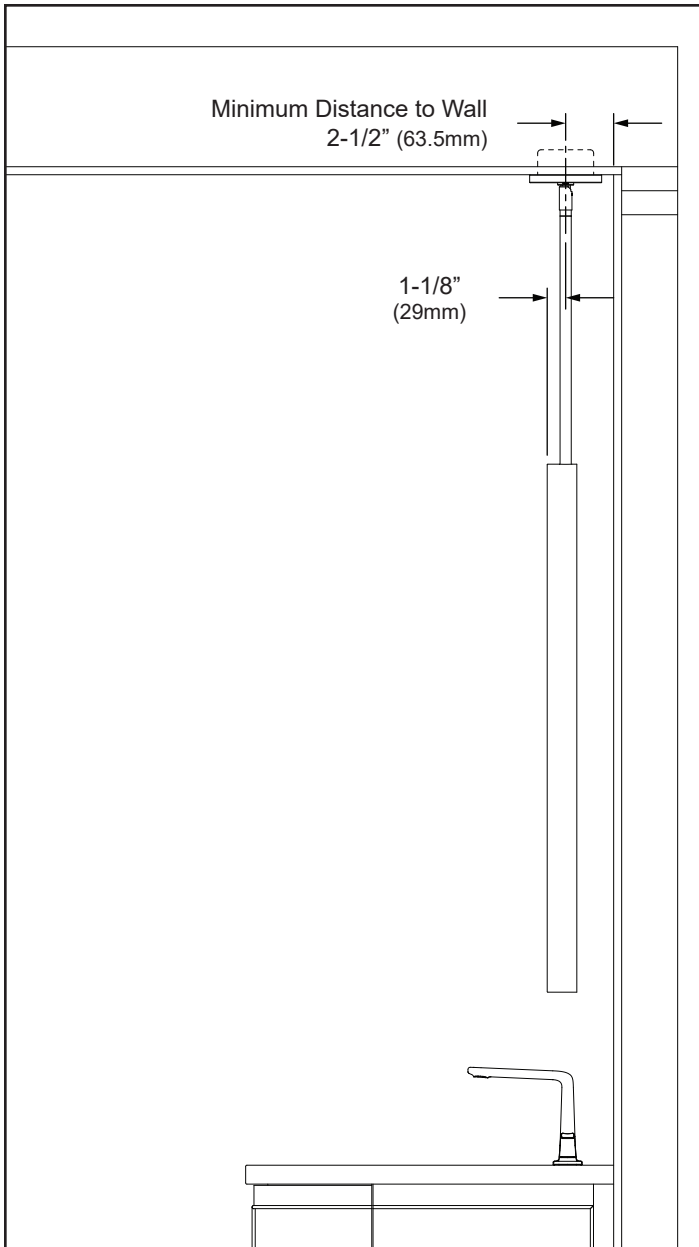
**NOTE:** It is recommended that this product be installed using a 4" round ceiling box rated for a minimum of 50 lbs (23 kg).



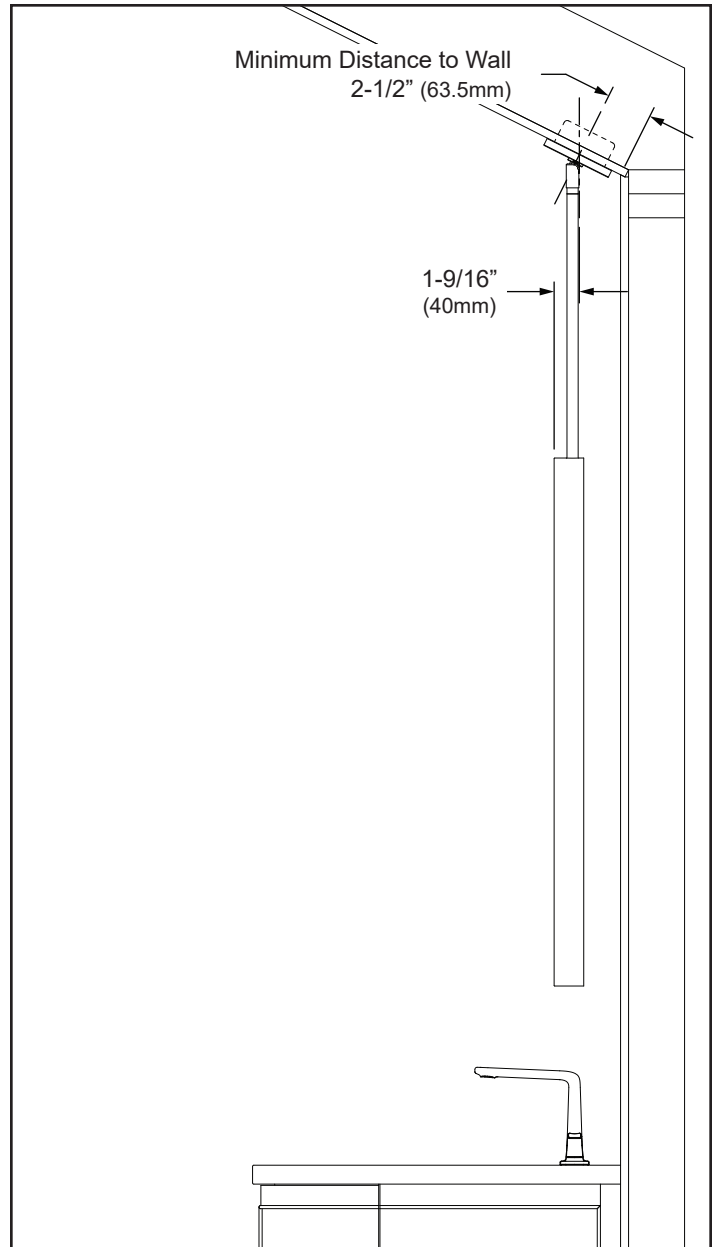
# LAYOUT DIMENSIONS

Referencing the diagrams below, determine the desired depth of the installation. The Ceiling Adapter [220-1264-XX] can accommodate a lofted ceiling angle up to 45°.

## Standard Joist:



## Lofted Joist:

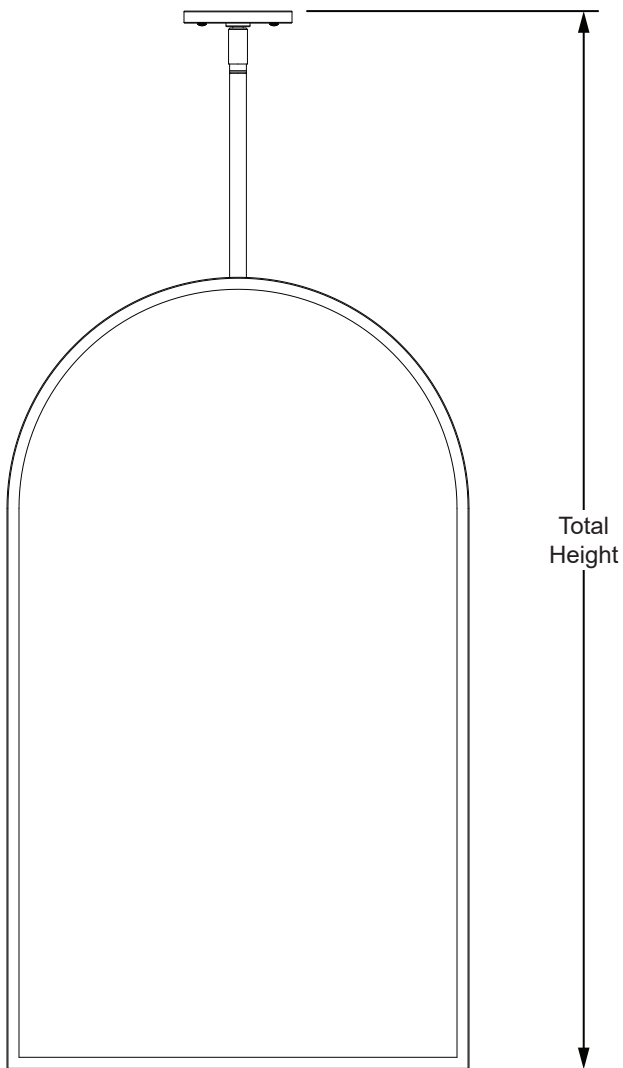


# ARCH HEIGHT

For standard 8' ceiling installations, the adjustable down rod can adjust the height of the mirror a total of 11" (279mm), with each adjustment in 1" (25mm) increments.

For installations higher than an 8' ceiling, extension rods have been supplied. Measuring from the desired height (see page 4) to the ceiling will identify the correct combination of extension rods to use for the installation.

	Total Height Range	Standard Ceiling Heights
No Extension Rods	44-1/8" (1120mm) - 55-1/8" (1399mm)	8' Ceiling
+ 12" Extension Rod	56-1/8" (1425mm) - 67-1/8" (1704mm)	9' Ceiling
+ 24" Extension Rod	68-1/8" (1729mm) - 79-1/8" (2009mm)	10' Ceiling
+ 12" & 24" Extension Rods	80-1/8" (2034mm) - 91-1/8" (2314mm)	11' Ceiling

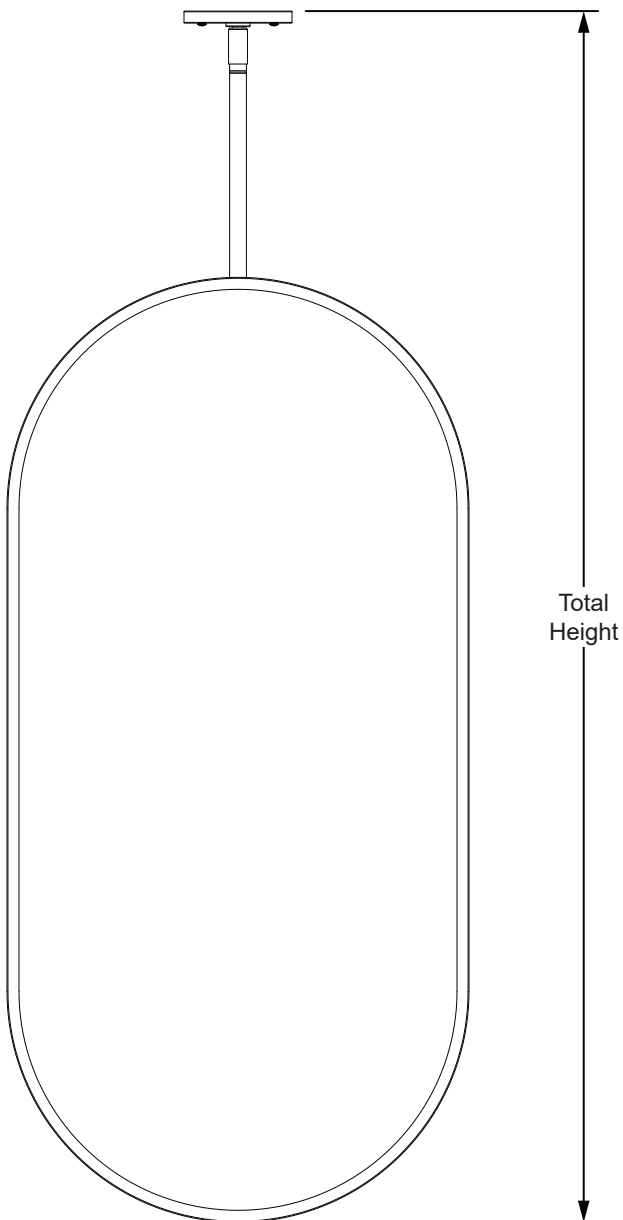


## PILL HEIGHT

For standard 8' ceiling installations, the adjustable down rod can adjust the height of the mirror a total of 11" (279mm), with each adjustment in 1" (25mm) increments.

For installations higher than an 8' ceiling, extension rods have been supplied. Measuring from the desired height (see page 4) to the ceiling will identify the correct combination of extension rods to use for the installation.

	Total Height Range	Standard Ceiling Heights
No Extension Rods	50-1/2" (1282mm) - 61-1/2" (1561mm)	8' Ceiling
+ 12" Extension Rod	62-1/2" (1587mm) - 73-1/2" (1866mm)	9' Ceiling
+ 24" Extension Rod	74-1/2" (1891mm) - 85-1/2" (2171mm)	10' Ceiling
+ 12" & 24" Extension Rods	86-1/2" (2196mm) - 97-1/2" (2476mm)	11' Ceiling



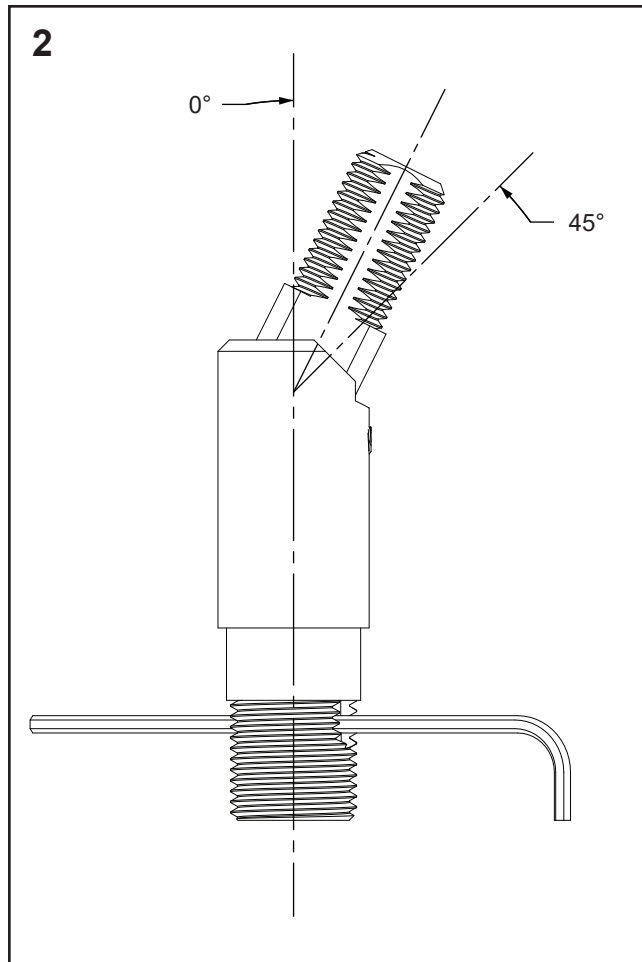
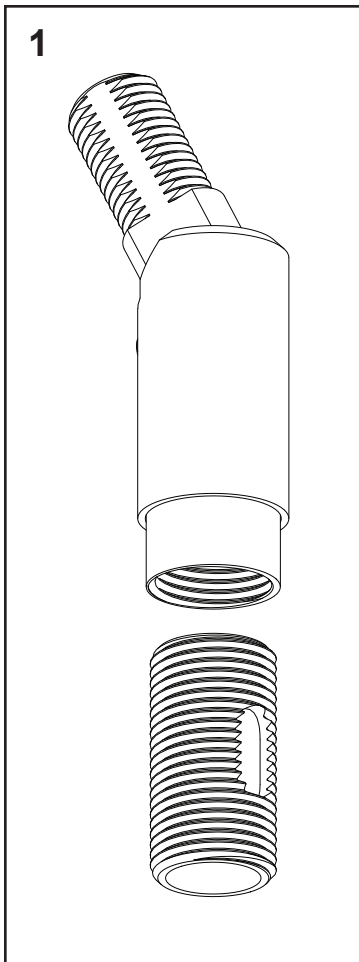
---

## CEILING MOUNT

Whether the ceiling is lofted or flat, the Ceiling Adapter [220-1264-XX] will need to be set to match the ceiling pitch.

1. Thread a Down Rod Connector [219-1747] into the bottom of the Ceiling Adapter. The pivoting portion of the Ceiling Adapter should be loose.
2. The Ceiling Adapter will adjust to match the angle of the ceiling. Tighten the Down Rod Connector until the pivoting portion is no longer loose. If needed, use the Allen Key [203-1698] provided. The set screw will be tightened at a later step to lock the Ceiling Adapter's position.

**NOTE:** For reference, the following steps show the Ceiling Adapter in a vertical, flat ceiling orientation.

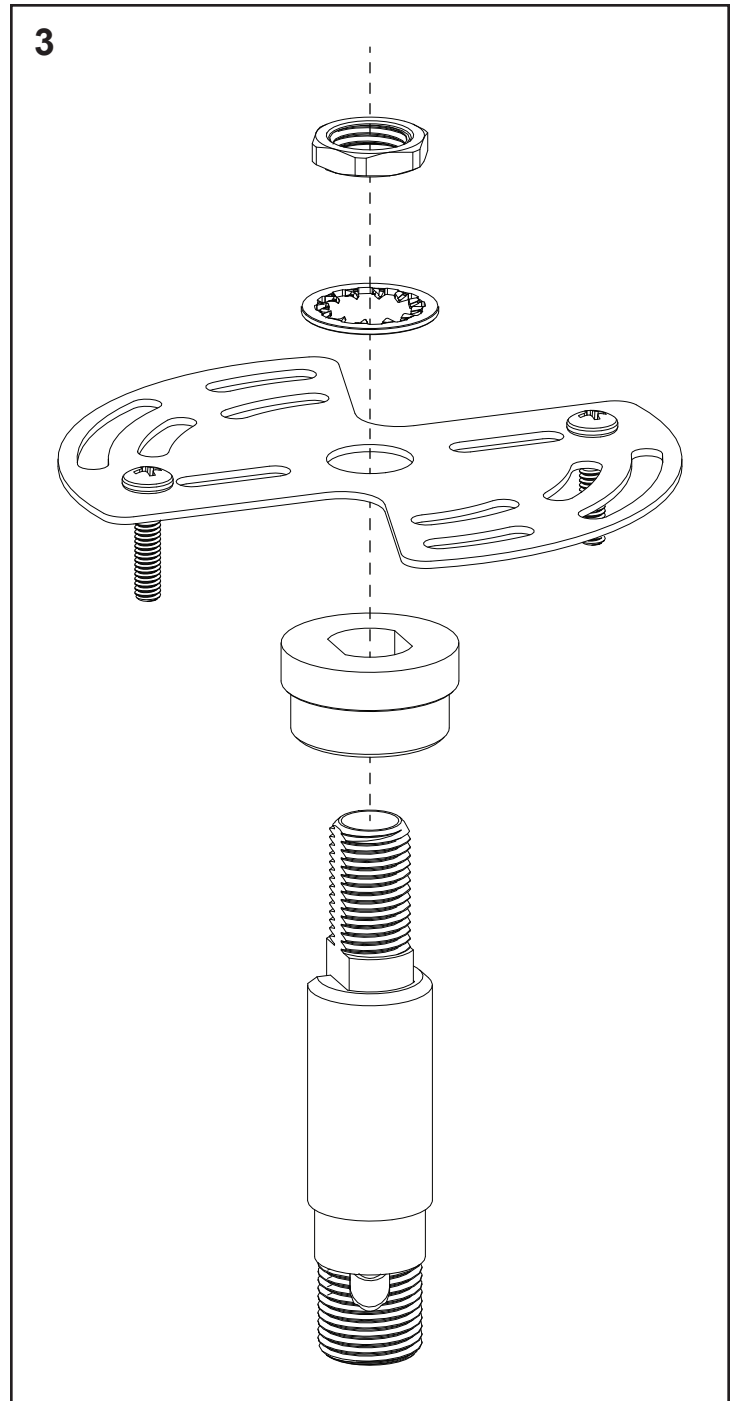
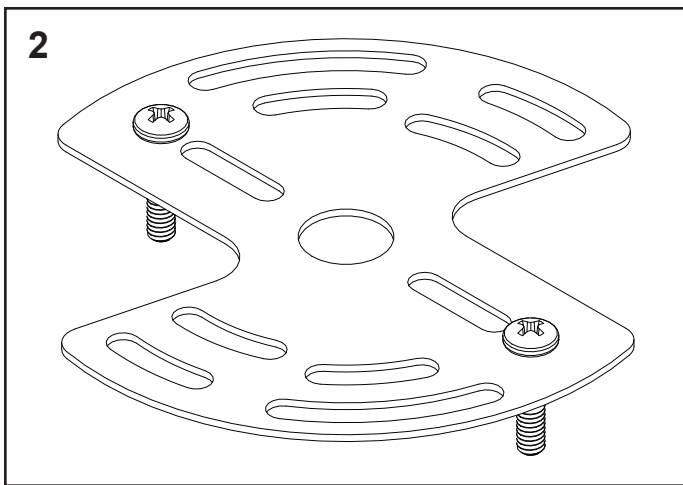
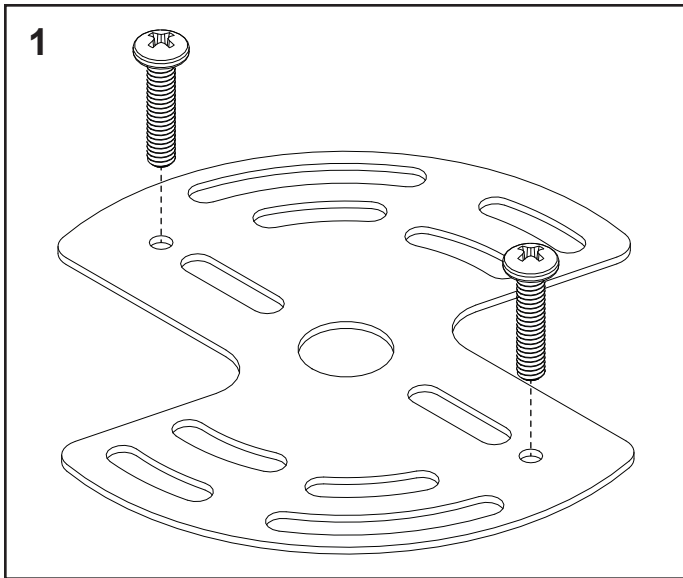


## CEILING MOUNT

Once the installation location has been determined (see pages 4 and 5), please proceed with the following steps.

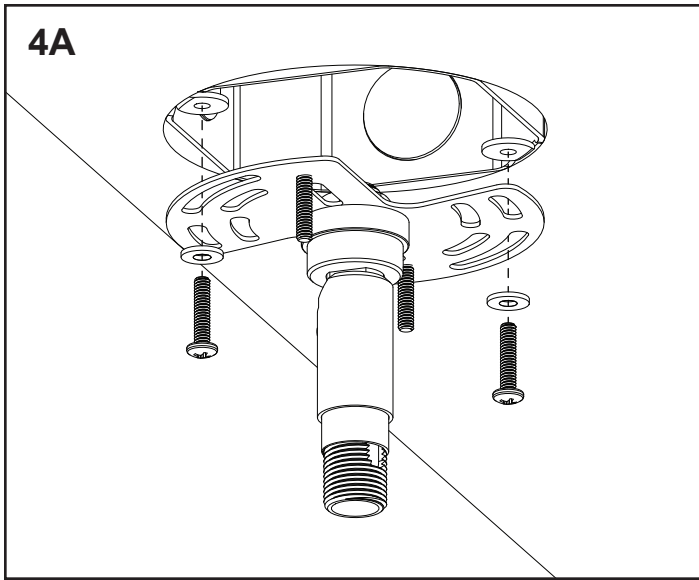
**NOTE:** It is recommended that this product be installed using a 4" round ceiling box rated for a minimum of 50 lbs (23 kg).

1. Orient the provided Crossbar Plate (219-1746) to best match the installed 4" round ceiling box. Insert two #8-32 screws [203-1153] through the threaded holes in the Crossbar Plate. The screw heads should face the inside of the ceiling box.
2. Turn the screws until they are bottomed out on the plate.
3. Pass the Ceiling Adapter through the Adapter Slip [220-1266-XX], Crossbar Plate, Lockwasher [203-1679], and Hex Nut [203-1678]. Tighten the Hex Nut using an 11/16" wrench.



## CEILING MOUNT

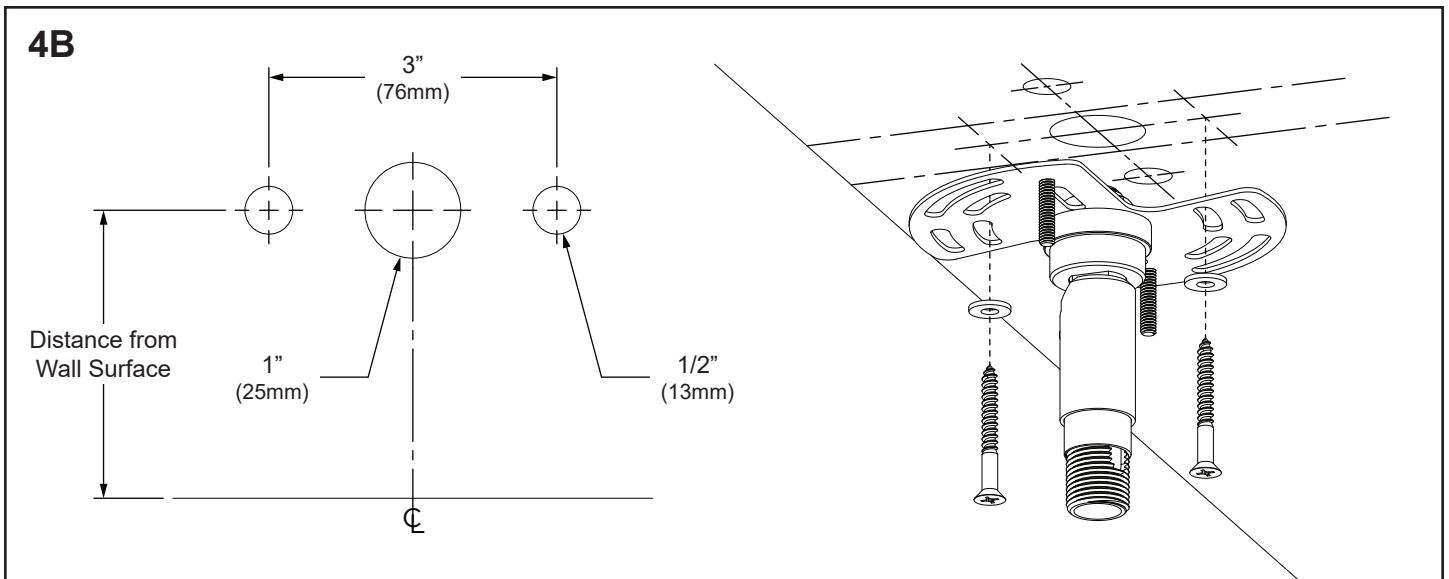
4A. Attach the Ceiling Mount assembly to the ceiling box using the remaining #8-32 screws and two flat washers [203-1198] provided.



**NOTE:** If the desired installation location falls directly on a ceiling joist, the crossbar plate can be mounted to the joist instead of a ceiling box.

Using the pattern shown, drill holes through the drywall to mount the crossbar plate flat to the finished ceiling surface.

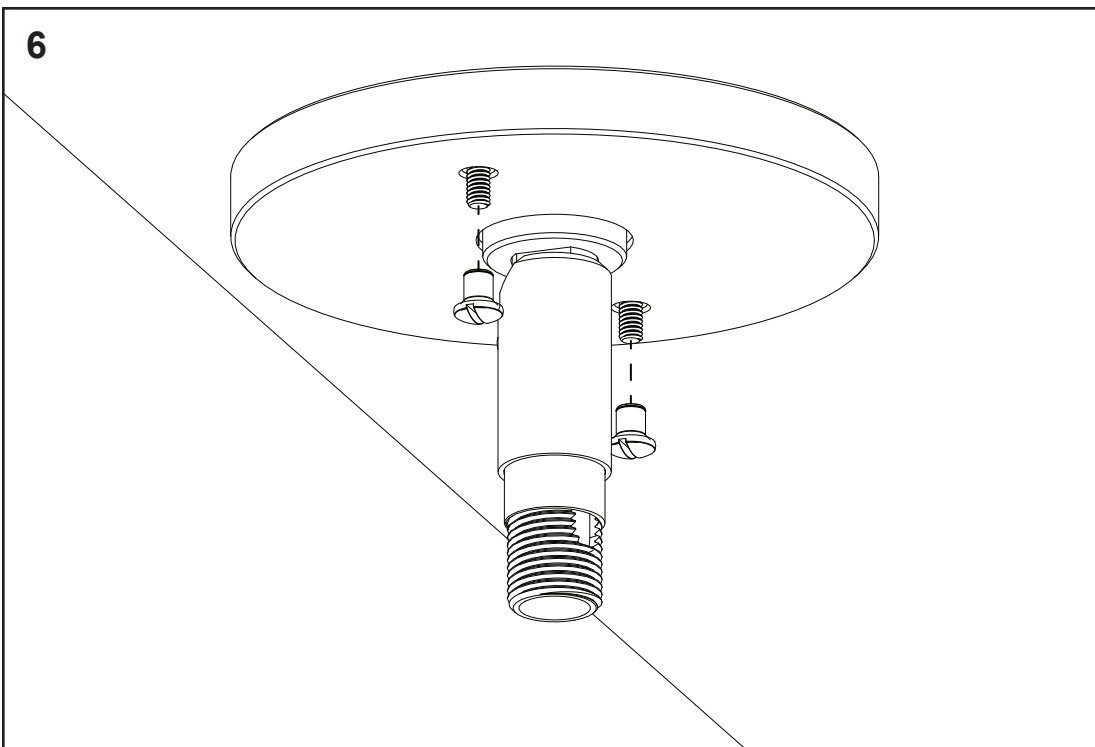
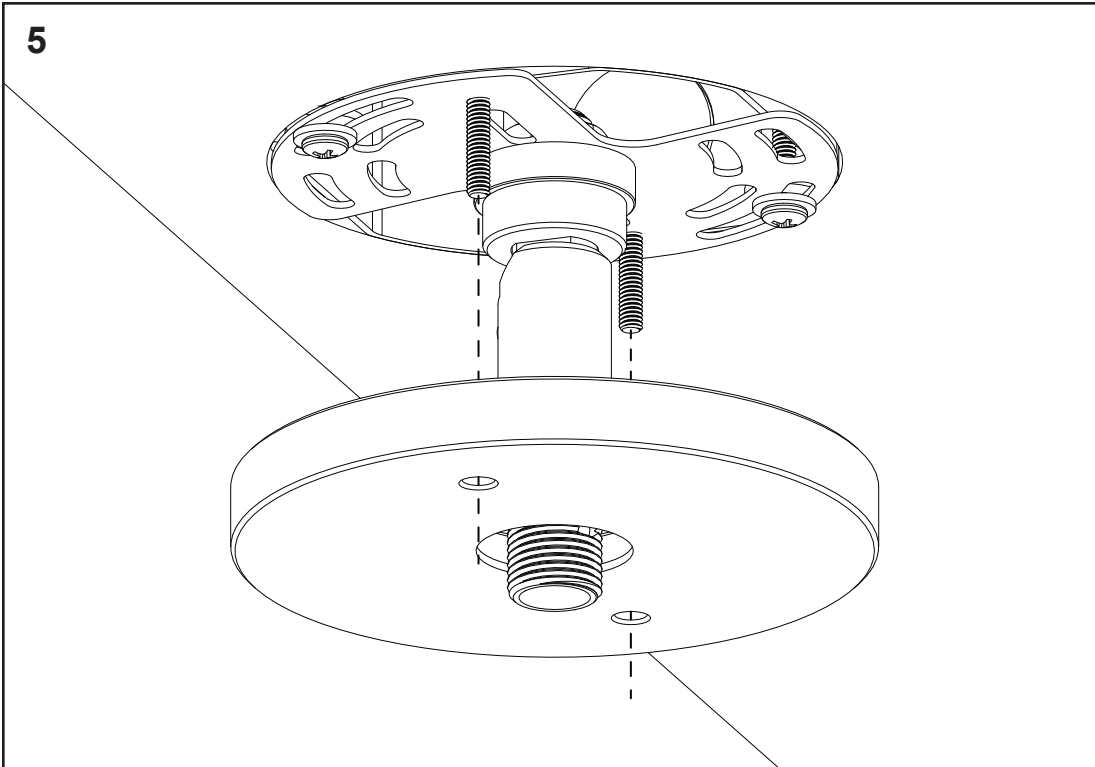
4B. Attach the Ceiling Mount assembly to the joist using #8 x 1-1/2" wood screws (not provided) and the two flat washers [203-1198] provided.



---

## CEILING MOUNT

- Align the Escutcheon [220-1265-XX] with the screws and slip them through the screw holes.
- Thread the two Sleeve Nuts [203-1681-XX] provided onto the screws coming through the Escutcheon. Using a flat head screwdriver, turn the Sleeve Nuts until the Escutcheon is tight to the ceiling.



---

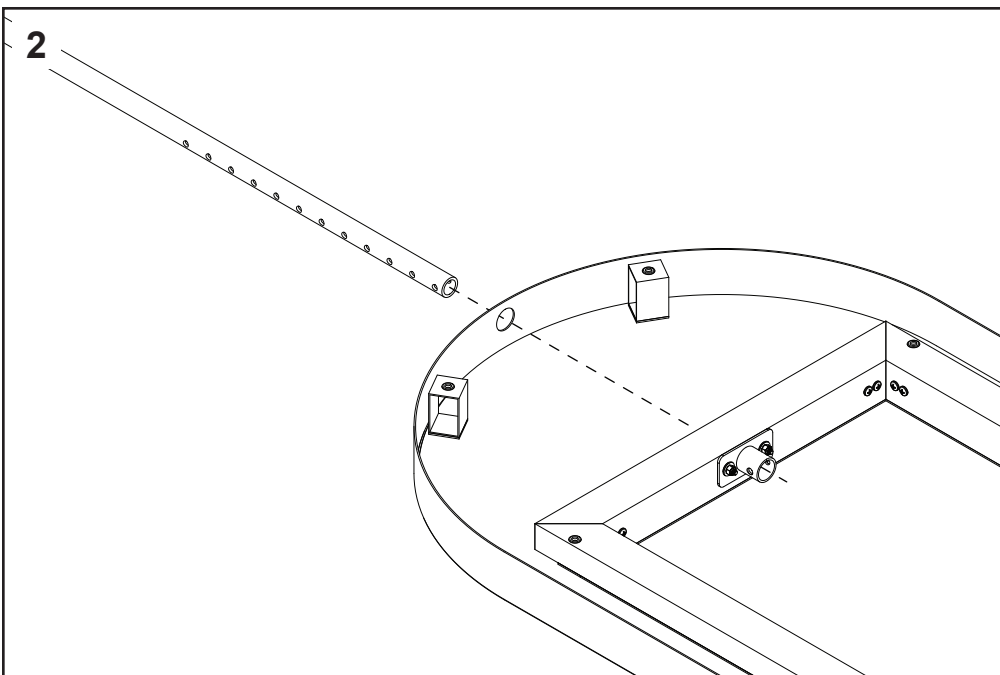
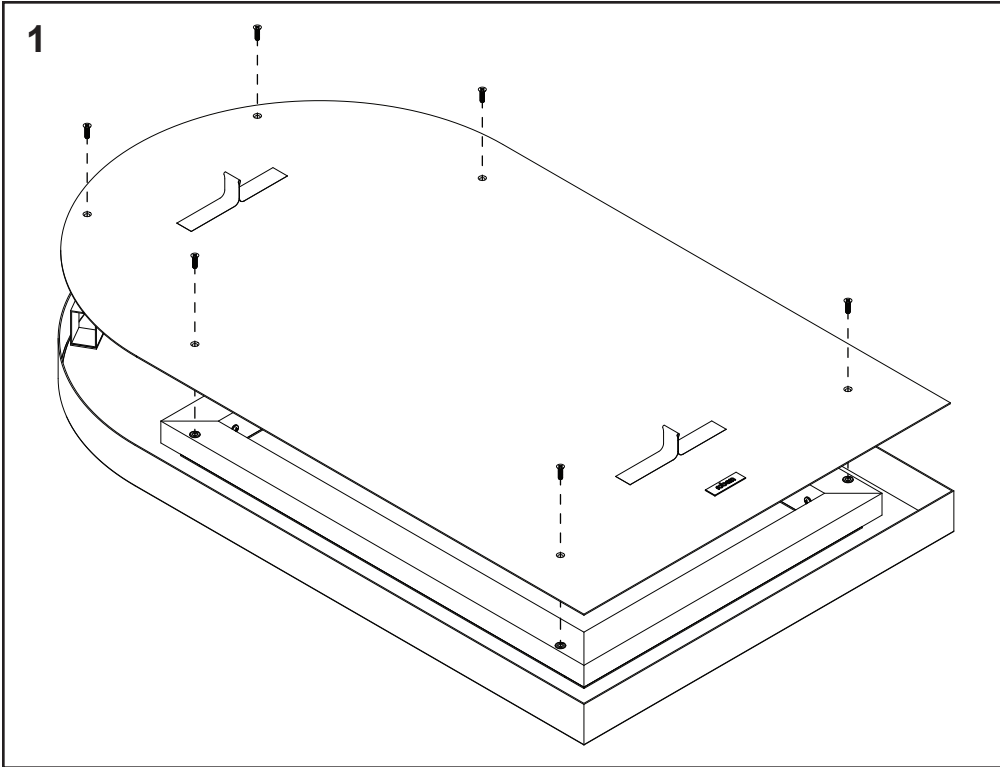
# MIRROR ASSEMBLY

Before proceeding with the following steps, prepare a clean, flat work surface.

1. Using a Phillips Head Screwdriver, remove the flat head screws holding the back panel in place, setting them aside in a safe place.

**NOTE:** The back panel is heavy. Attaching a couple of pieces of masking tape can lift the panel enough to ease removal.

2. Insert the Adjustable Down Rod [220-1261-XX] through the opening in the top of the mirror and internal bracket.

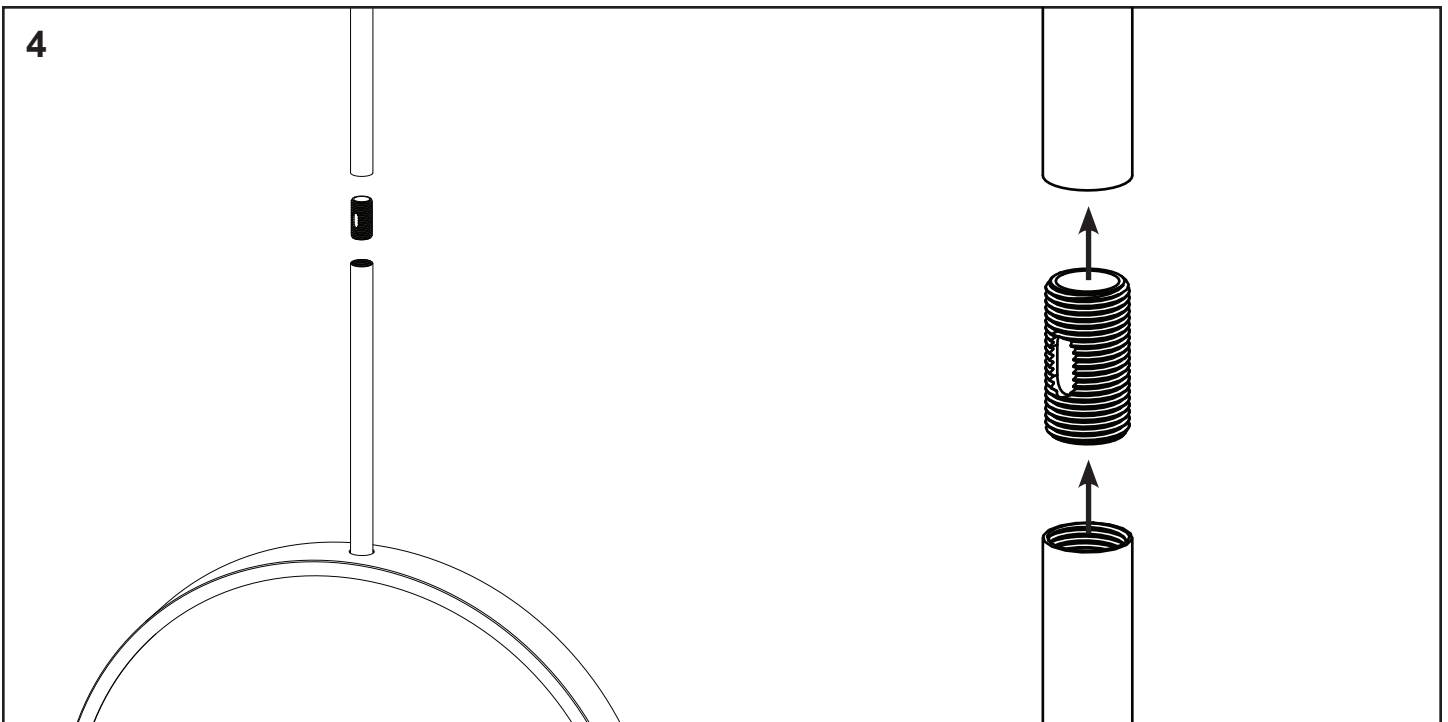
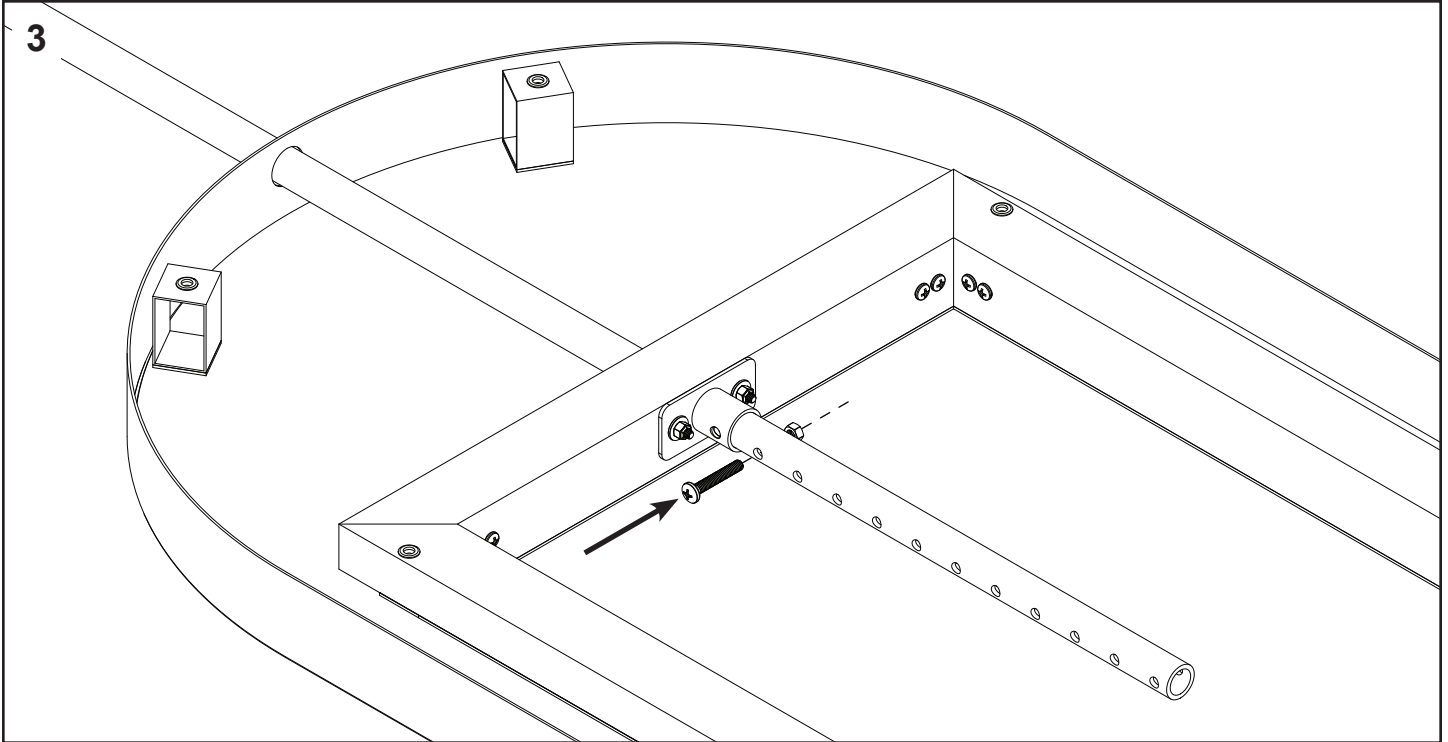


## MIRROR ASSEMBLY

3. Insert the provided M5 Screw [203-1695] through the desired pin location as determined by the ceiling height (see page 4) and temporarily secure with the provided M5 Hex Nut [203-1697]. Do NOT tighten.

**NOTE:** Do NOT insert the screw through the bracket hole yet. This will lock Down Rod in position and prevent further assembly.

4. As needed, attach the Down Rod Extension(s) using the provided Down Rod Connectors [219-1747].

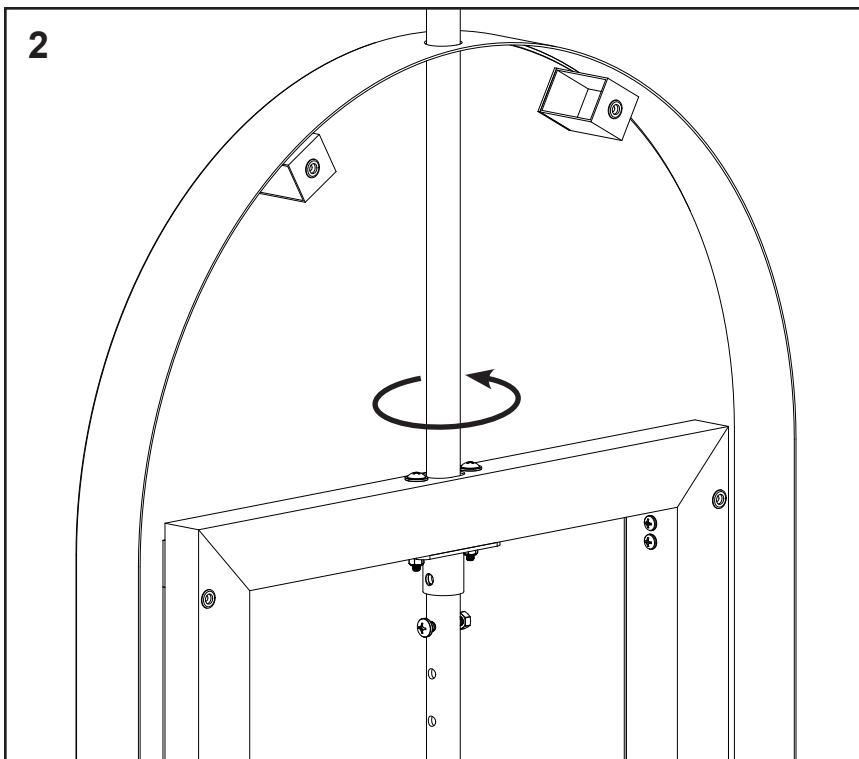
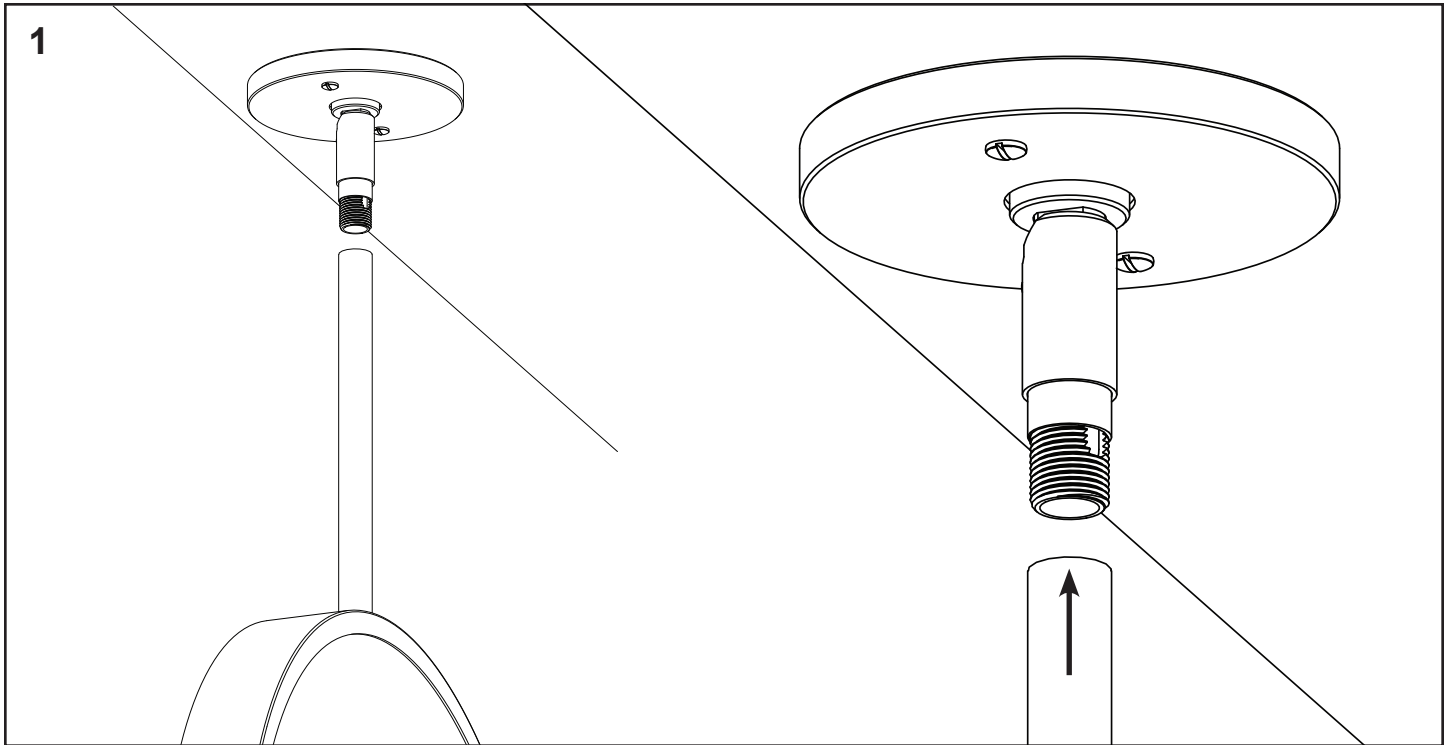


---

## MOUNTING THE MIRROR

1. With a second person, lift and hold the mirror in place, threading the Down Rod onto the Ceiling Mount assembly.
2. Turn the Down Rod until tight.

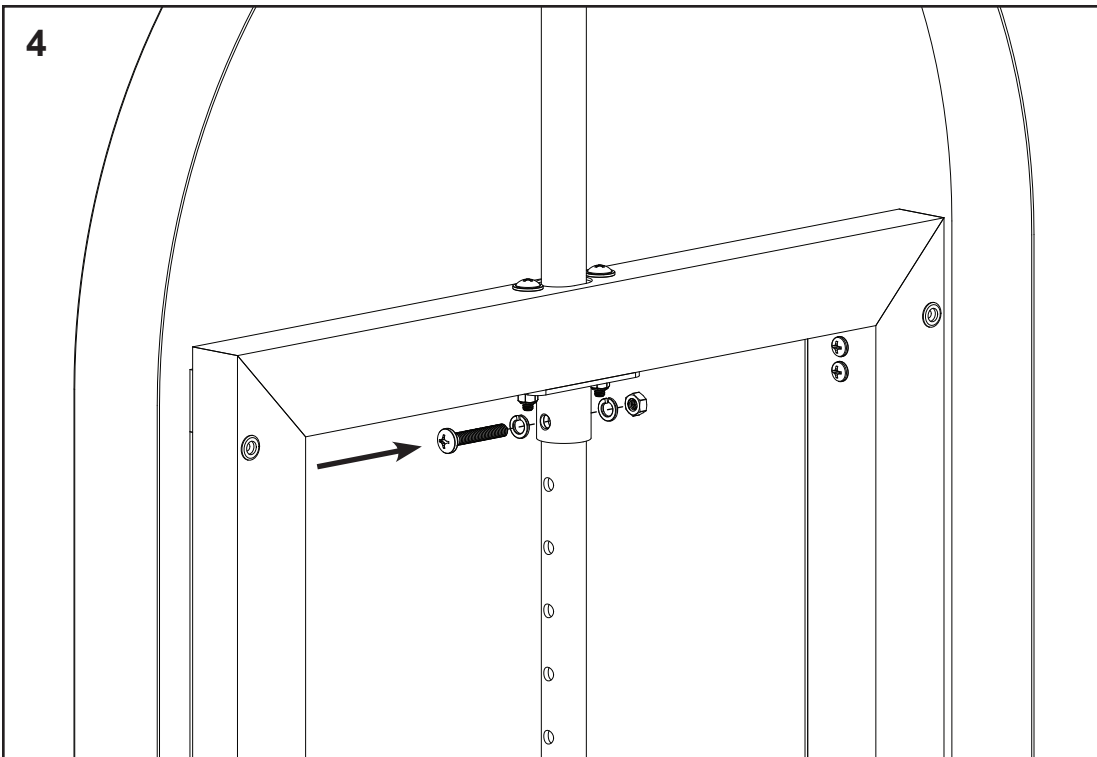
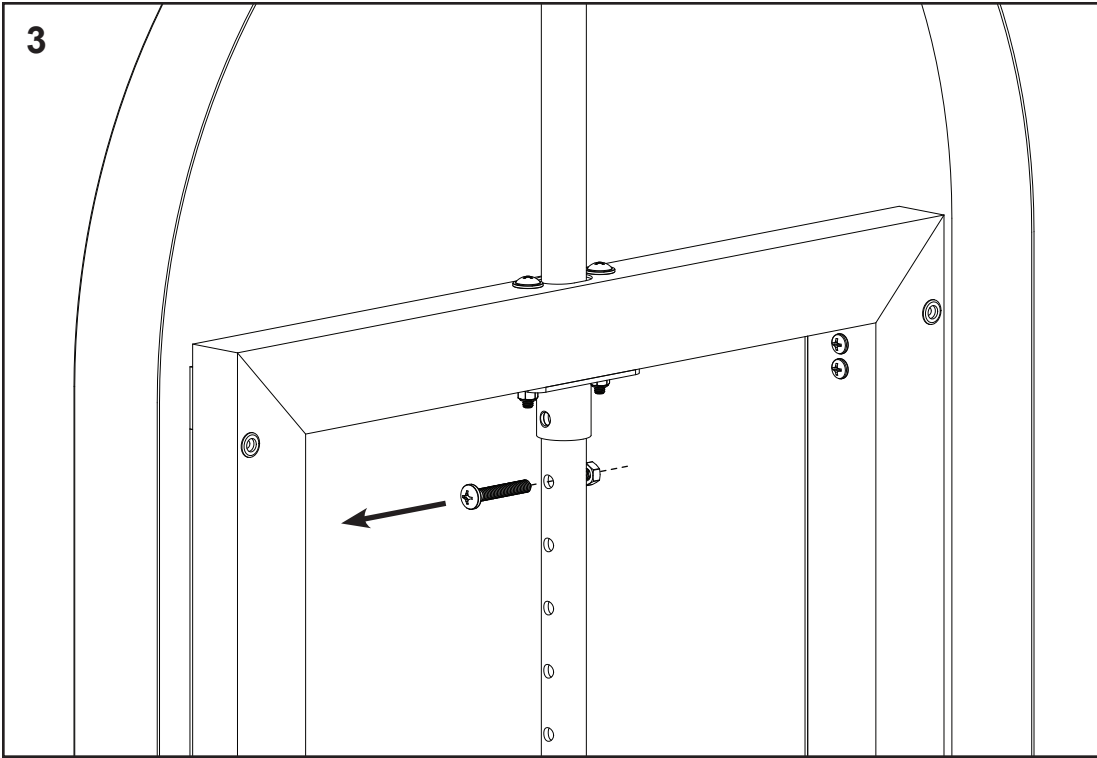
**NOTE:** Check that the Down Rod pin locations align with the mirror's internal bracket. Rotate the Down Rod until the holes align.



---

## MOUNTING THE MIRROR

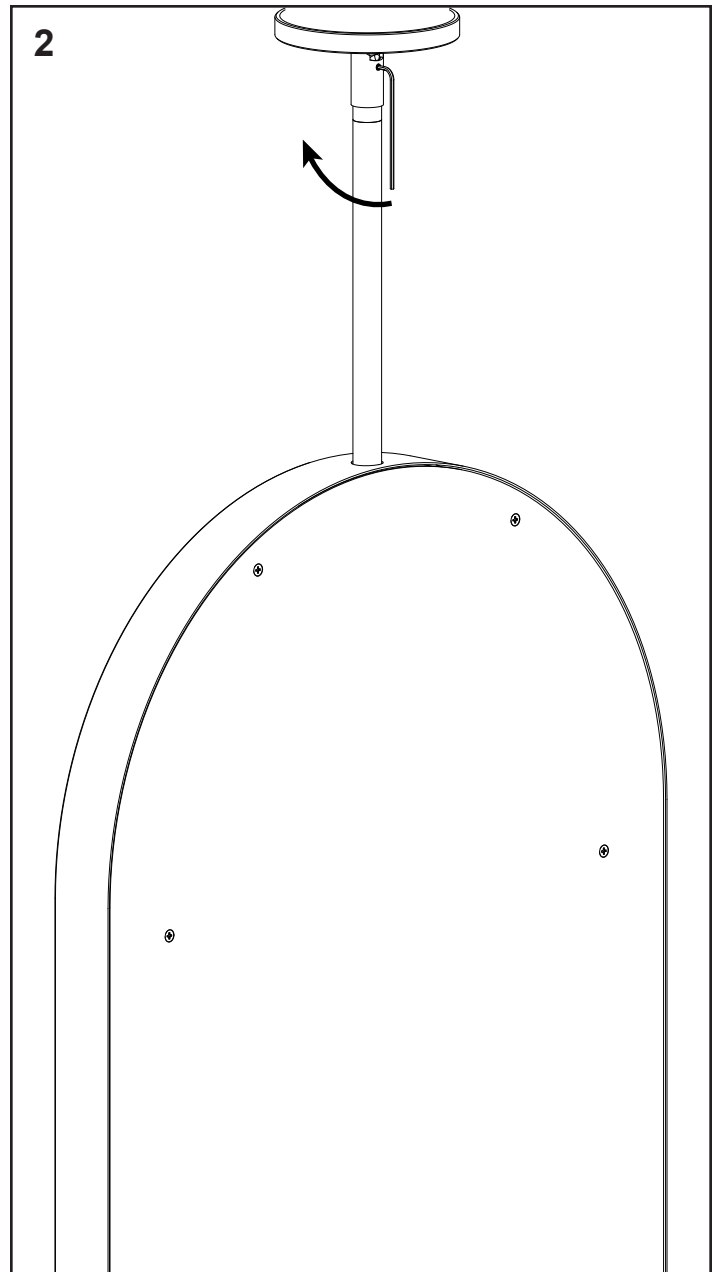
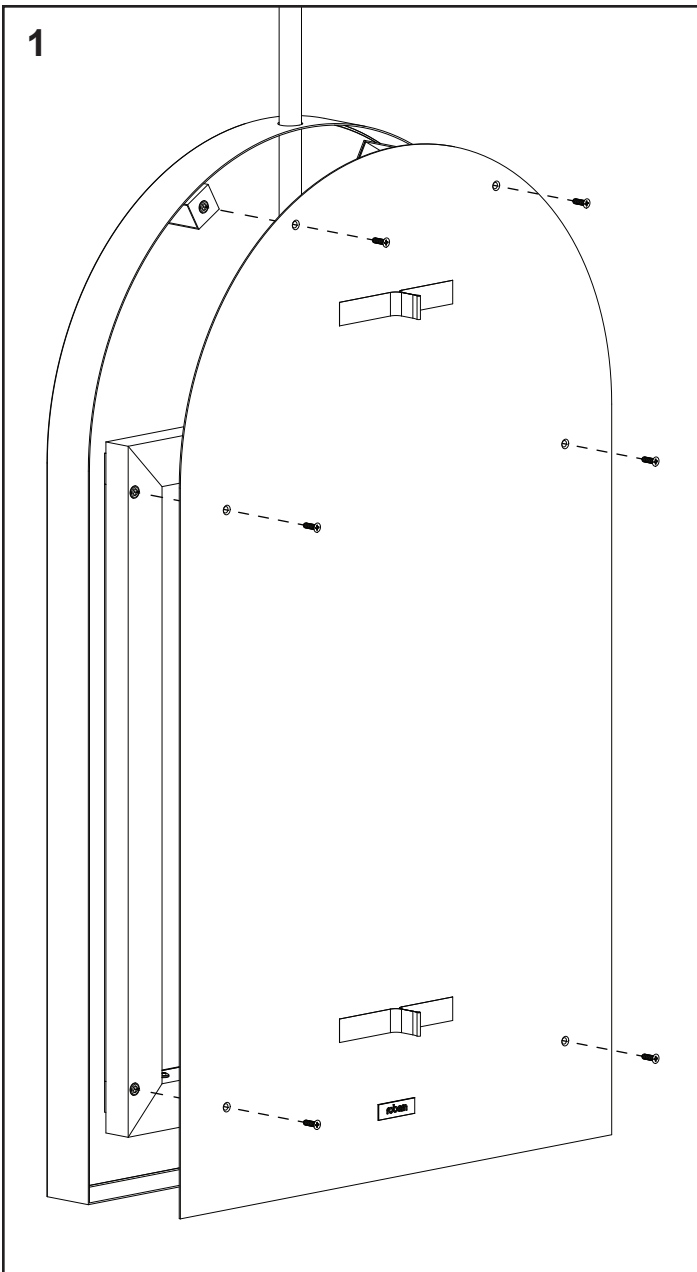
3. With a second person lifting the mirror, remove the M5 screw and nut previously inserted through the Down Rod.
4. Reinsert the M5 screw with an included split washer [203-1696] through the mirror bracket and Down Rod. Attach the remaining split washer and hex nut on the other side of the Mirror Bracket. If needed, adjust the height before fully tightening the hardware.



---

## FINAL ASSEMBLY

1. With a second person, lift and hold the back panel in place and attach it to the mirror with the screws previously set aside.
2. Turn the set screw on the back of the Ceiling Adapter to lock the mirror angle.



---

## USE AND MAINTENANCE

### CLEANING

- Use only a damp cloth to clean. Ammonia or vinegar-based cleaners can damage mirrors.
- A 50/50 solution of water and isopropyl alcohol is recommended for cleaning the mirrors. A mild detergent may be used on the surfaces.
- When cleaning, spray the cloth, not the cabinet, mirror, or surround surfaces. Do not use abrasive cleansers on any part of the product.

No Ammonia  
No Vinegar



---

# WARRANTY

## Limited Warranty One Year Term

ROBERN warrants to the original purchaser that, it will, at its election repair, replace, or make appropriate adjustment to products made by this company shown to have significant defects in material or workmanship which are reported to ROBERN in writing within one (1) year from the date of delivery. ROBERN is not responsible for installation costs. The warranty is void in the event the product is damaged in transit, or if damage or failure is caused by abuse, misuse, abnormal usage, faulty installation, damage in an accident, improper maintenance, or any repairs other than those authorized by ROBERN. At the expiration of the one year warranty period, ROBERN shall be under no further obligation under any warranty, expressed or implied, including the implied warranty of merchantability. ROBERN shall not be liable for any consequential damages arising out of or in connection with the use or performance of its products. Some states do not allow limitations on how long an implied warranty lasts or do not allow the exclusion or limitation of incidental or consequential damages, so the above limitation or exclusion may not apply to you. Any liability against ROBERN under any implied warranty, including the warranty of merchantability, is expressly limited to the terms of this warranty. Permission to return any merchandise under this warranty must be authorized by ROBERN and returned prepaid by the purchaser. Claims under this warranty should be sent directly to your dealer.

©2024 ROBERN, INC.

ALL RIGHTS RESERVED