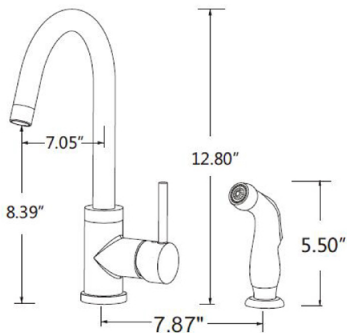




KF-AZ222 KITCHEN FAUCET



The center of each hole should be: 7.87"