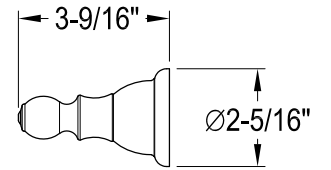
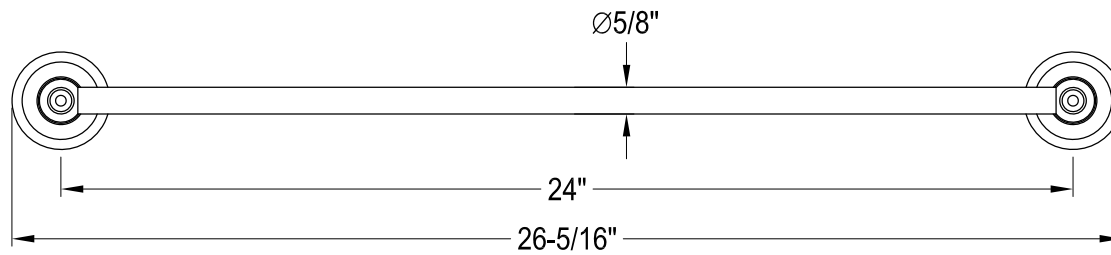
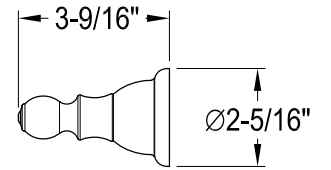
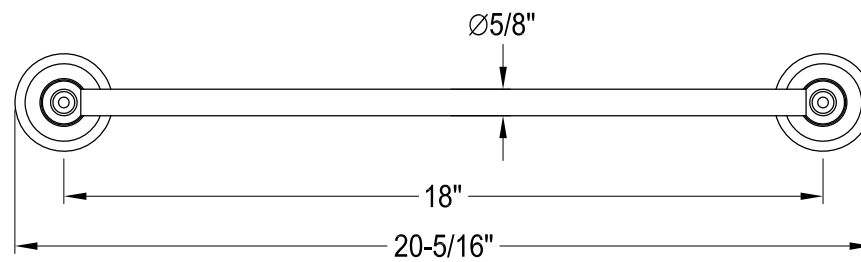


BAHK5112478MB,C,ORB,BB,SN

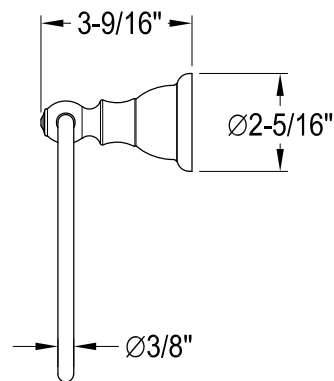
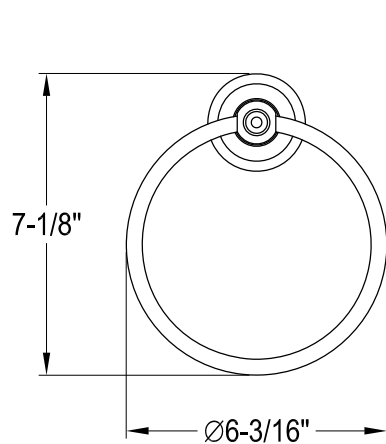
5 Pieces Bath Accessory



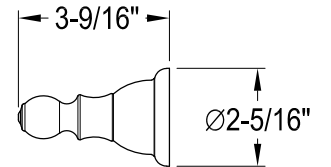
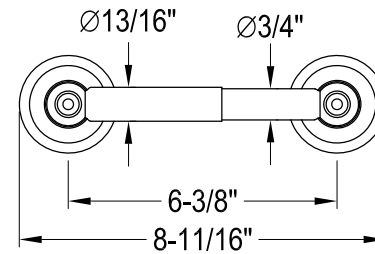
24" Towel Bar



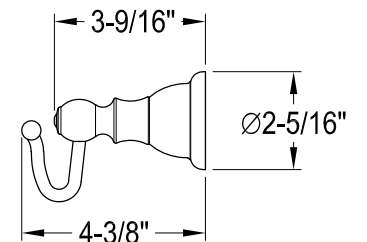
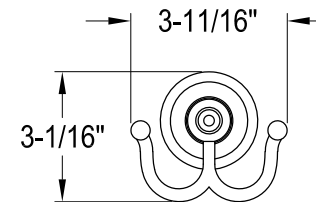
18" Towel Bar



Towel Ring



Toilet Paper Holder



Robe Hook