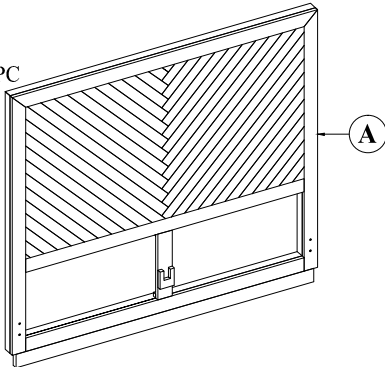


# ALEXANDRA FULL/QUEEN STORAGE BED ASSEMBLY INSTRUCTIONS



## BOX #1

A. HEADBOARD : 1 PC

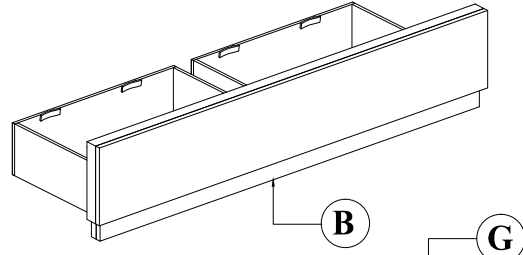


## BOX #2

B. STORAGE FOOTBOARD : 1 PC

G. SLAT ROLL : 1 SET

H. METAL STRETCHER : 1 PC



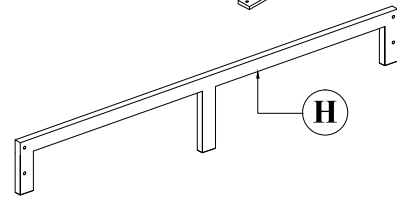
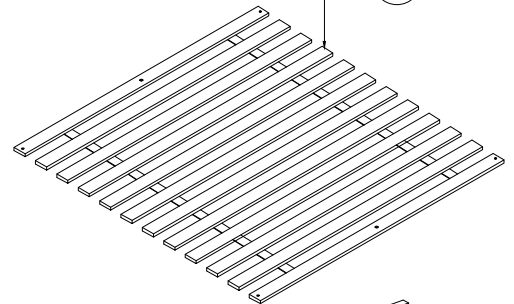
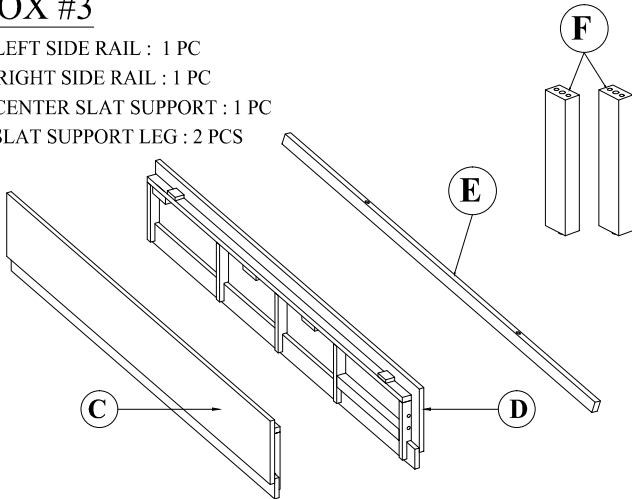
## BOX #3

C. LEFT SIDE RAIL : 1 PC

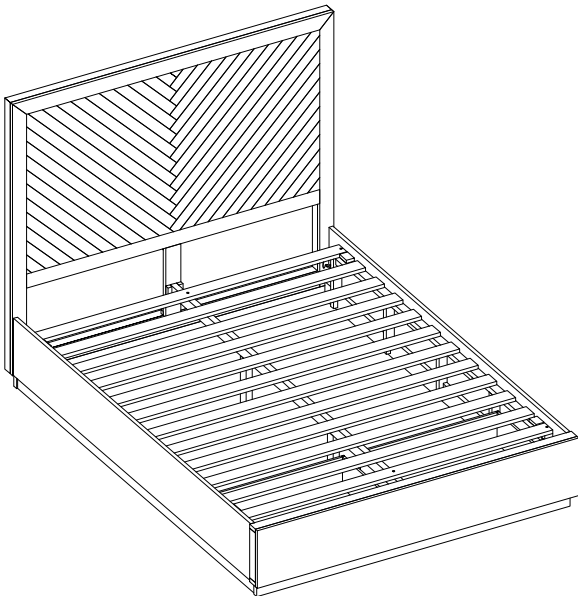
D. RIGHT SIDE RAIL : 1 PC

E. CENTER SLAT SUPPORT : 1 PC

F. SLAT SUPPORT LEG : 2 PCS



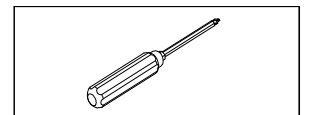
## FULLY ASSEMBLED



## HARDWARE PACKED IN BOX #2

1	ALLEN BOLT (M8X50)		8 PCS
2	ALLEN BOLT (M6X60)		2 PCS
3	SPRING WASHER (M8)		8 PCS
4	FLAT WASHER (M8)		8 PCS
5	WOOD DOWEL (M8X30)		4 PCS
6	WOOD SCREW (M4X30)		6 PCS
7	ALLEN KEY		1 PC

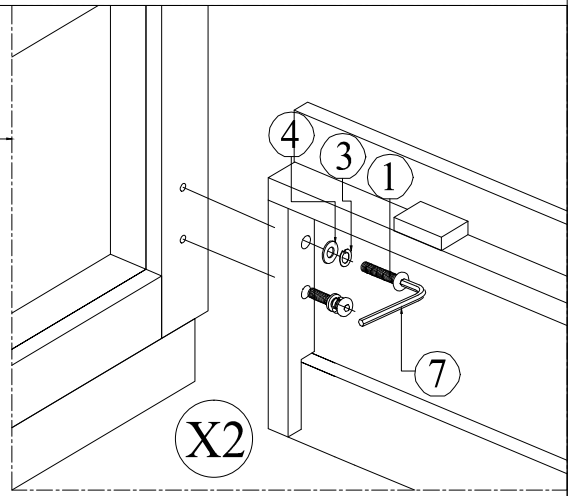
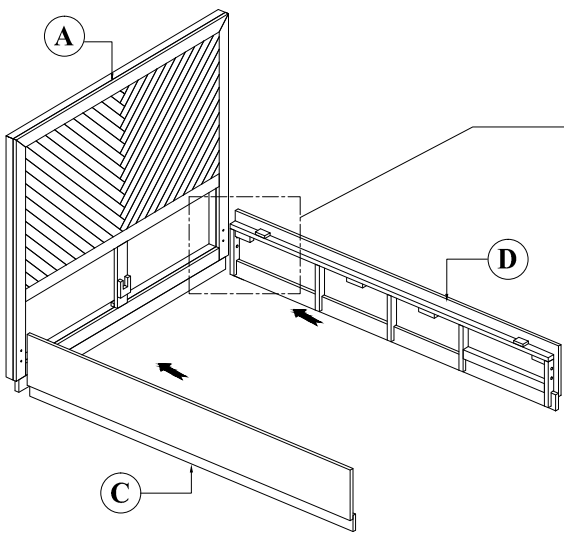
TOOL REQUIRED PHILLIPS HEAD SCREW DRIVER  
(NOT PROVIDED)



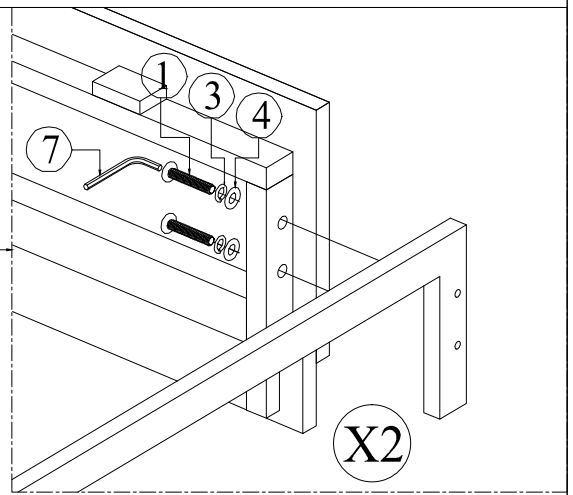
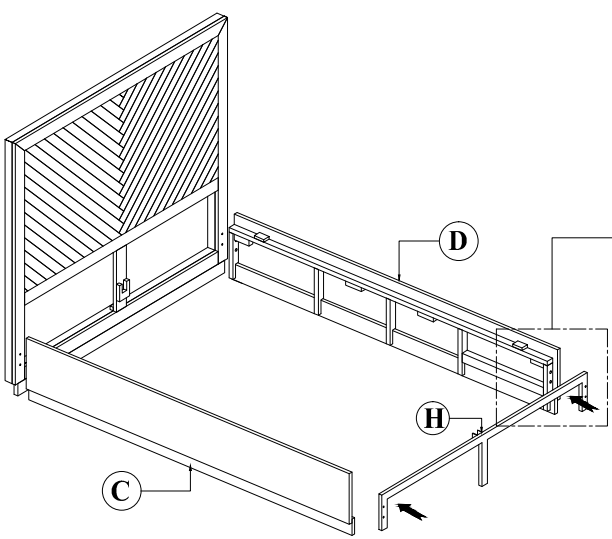
# ALEXANDRA FULL/QUEEN STORAGE BED ASSEMBLY INSTRUCTIONS



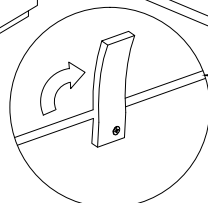
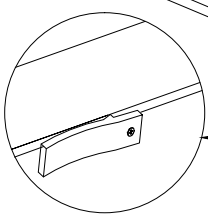
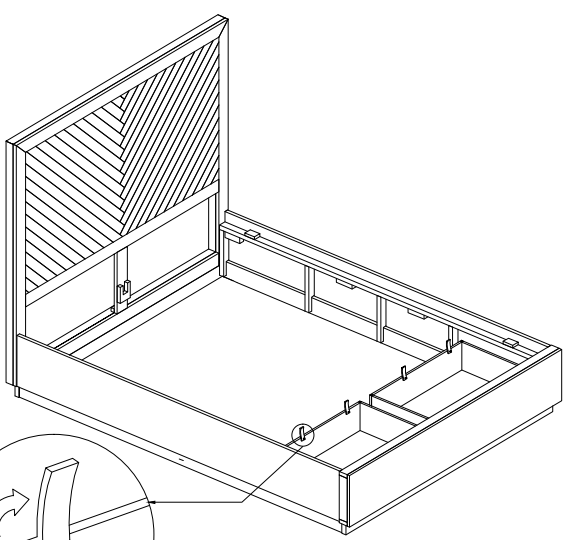
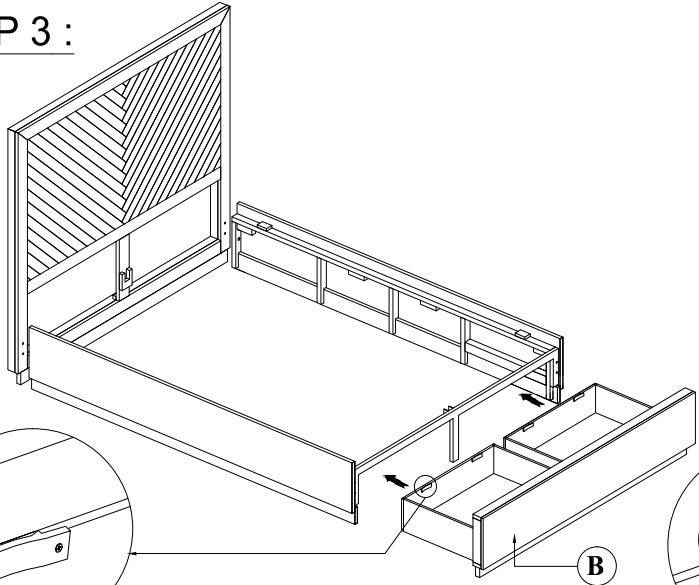
## STEP 1 :



## STEP 2 :



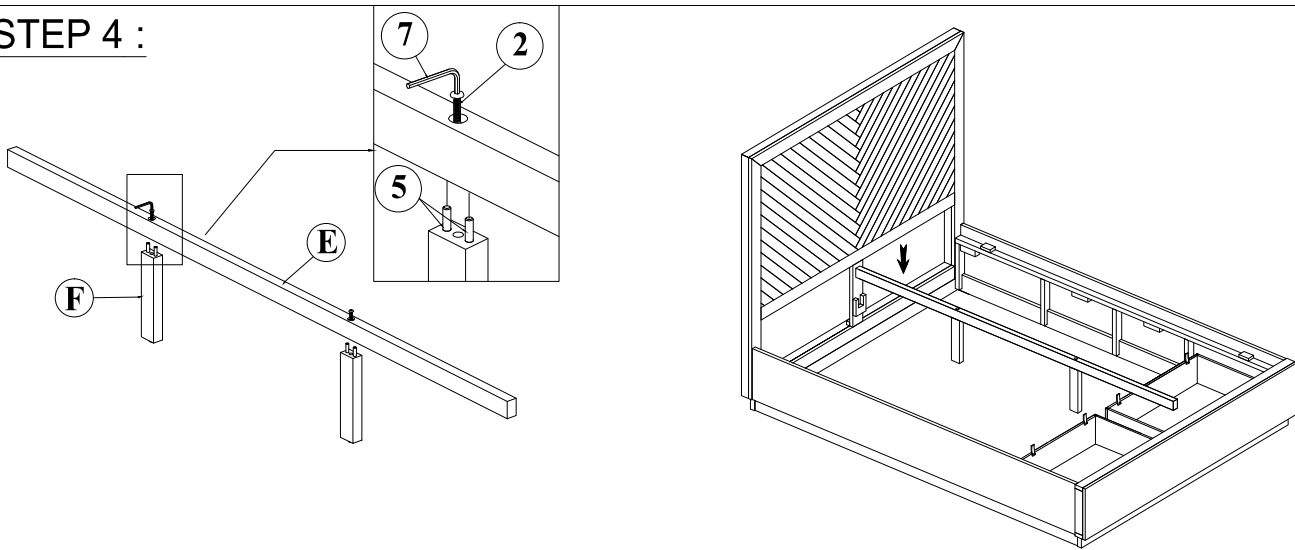
## STEP 3 :



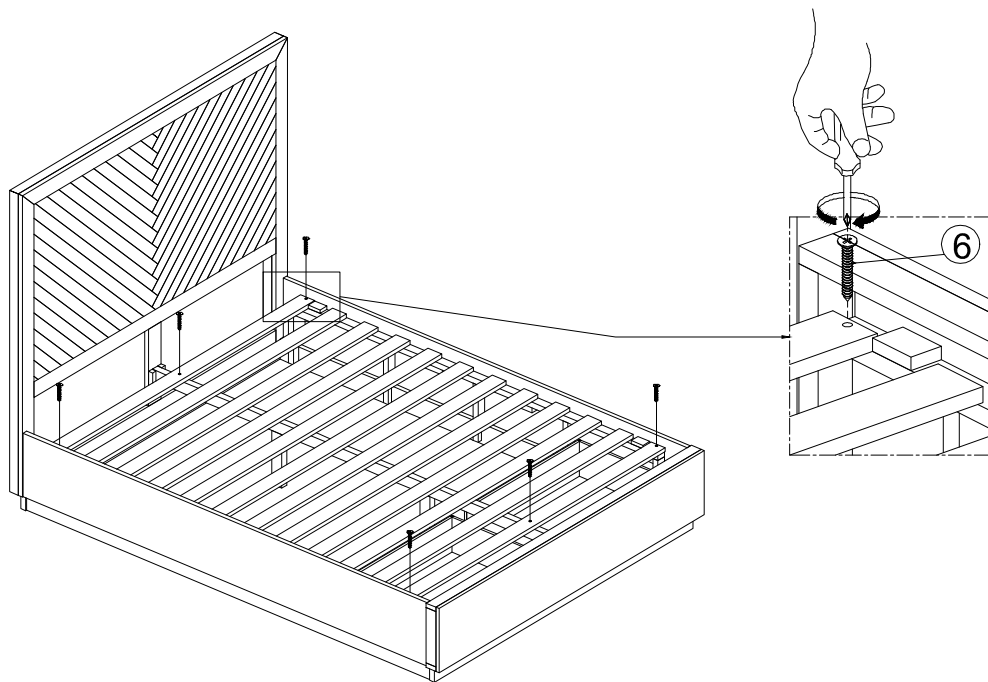
# ALEXANDRA FULL/QUEEN STORAGE BED ASSEMBLY INSTRUCTIONS



## STEP 4 :



## STEP 5 :

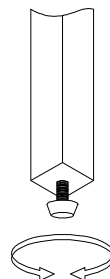


### INSTRUCTIONS FOR ADJUSTING LEVELER:

Position the bed in your space and locate the leveler under each support leg.

Turn the leveler counter-clockwise to extend the leveler and clockwise to retract it.

Adjust each leveler until each support leg is applying equal, upward pressure on the bed support slat.



### MAINTENANCE INSTRUCTION:

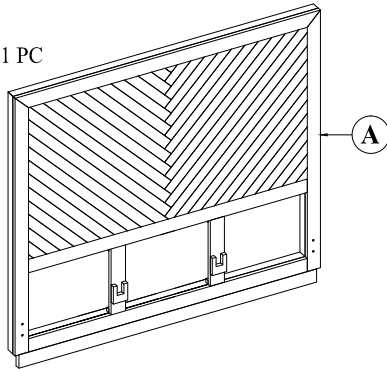
- Remove box spring and mattress before moving your bed.
- Lift your bed when moving it. Dragging can damage the leg support.
- Readjust levelers after moving your bed.

# ALEXANDRA CAL KING/KING STORAGE BED ASSEMBLY INSTRUCTIONS



## BOX #1

A. HEADBOARD : 1 PC

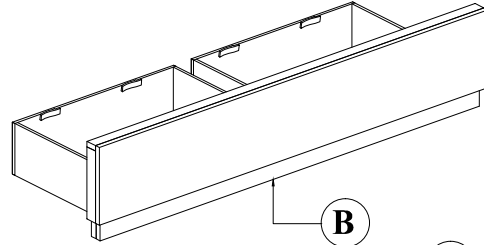


## BOX #2

B. STORAGE FOOTBOARD : 1 PC

G. SLAT ROLL : 1 SET

H. METAL STRETCHER : 1 PC



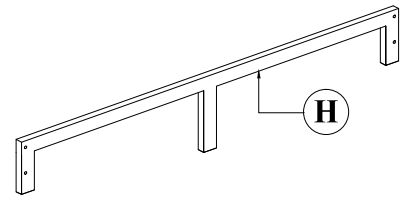
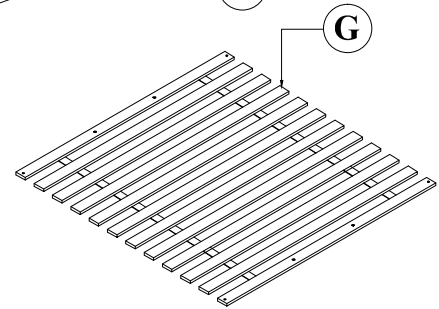
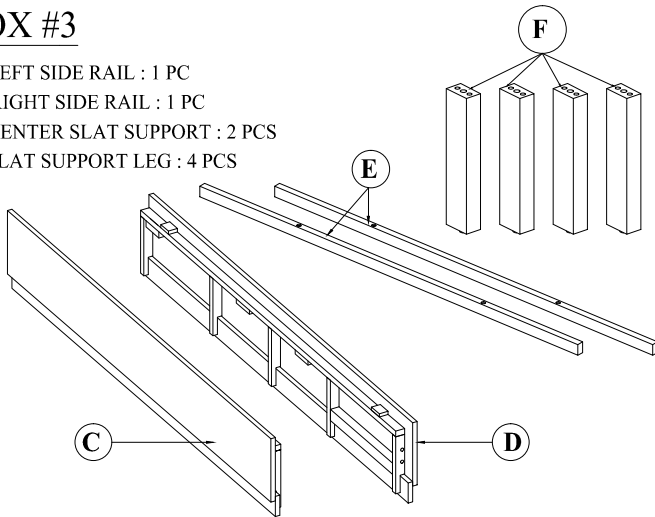
## BOX #3

C. LEFT SIDE RAIL : 1 PC

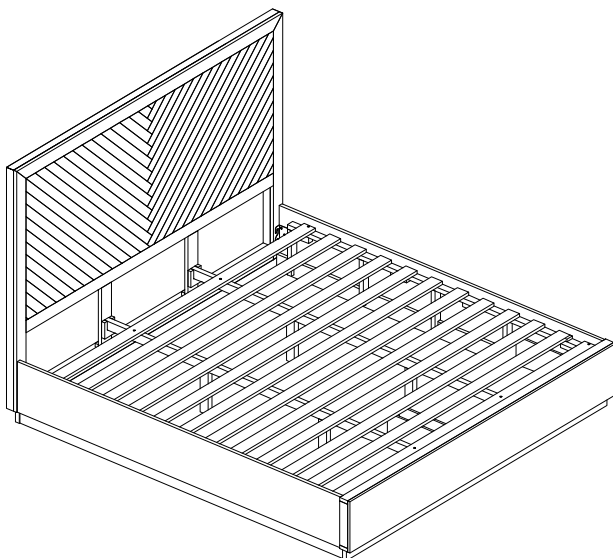
D. RIGHT SIDE RAIL : 1 PC

E. CENTER SLAT SUPPORT : 2 PCS

F. SLAT SUPPORT LEG : 4 PCS



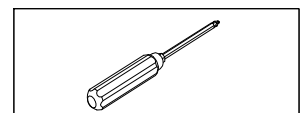
## FULLY ASSEMBLED



## HARDWARE PACKED IN BOX #2

1	ALLEN BOLT (M8X50)		8 PCS
2	ALLEN BOLT (M6X60)		4 PCS
3	SPRING WASHER (M8)		8 PCS
4	FLAT WASHER (M8)		8 PCS
5	WOOD DOWEL (M8X30)		8 PCS
6	WOOD SCREW (M4X30)		8 PCS
7	ALLEN KEY		1 PC

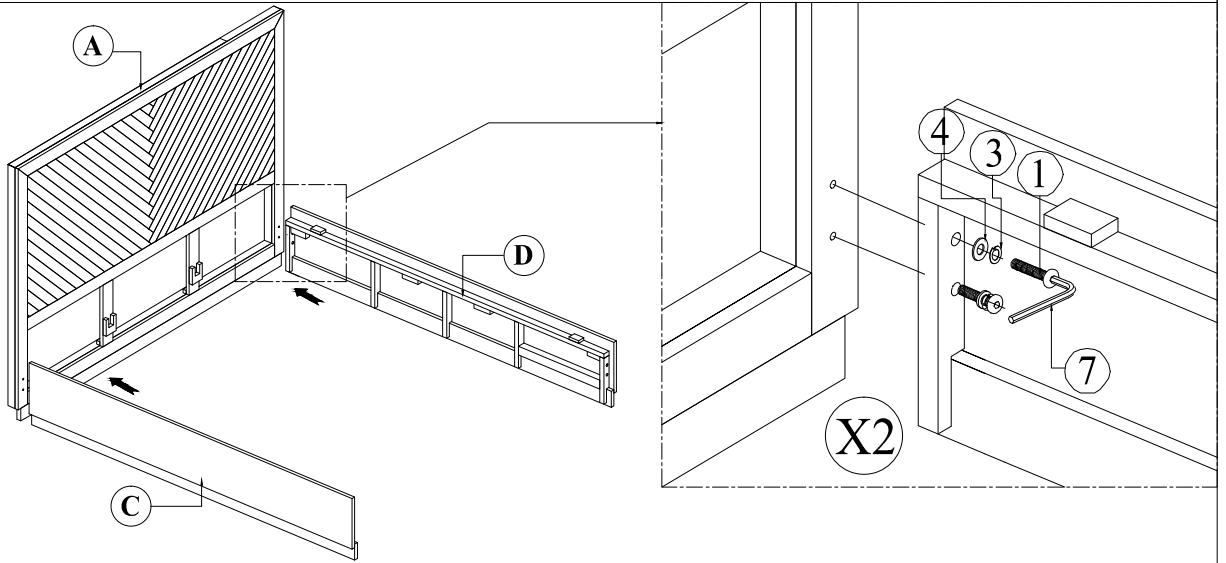
TOOL REQUIRED PHILLIPS HEAD SCREW DRIVER  
(NOT PROVIDED)



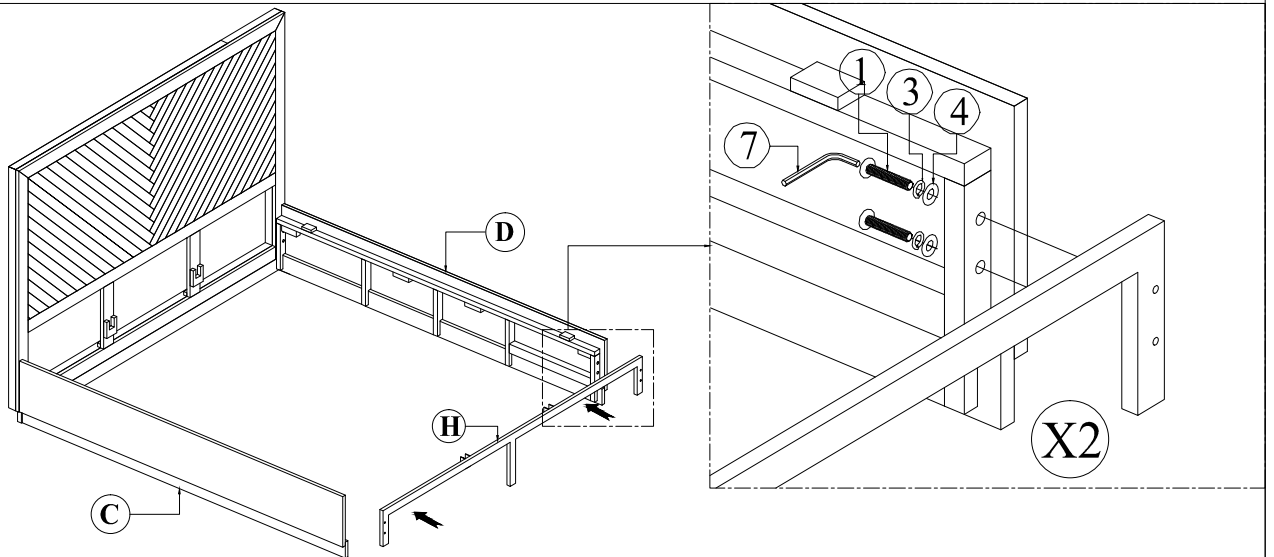
# ALEXANDRA CAL KING/KING STORAGE BED ASSEMBLY INSTRUCTIONS



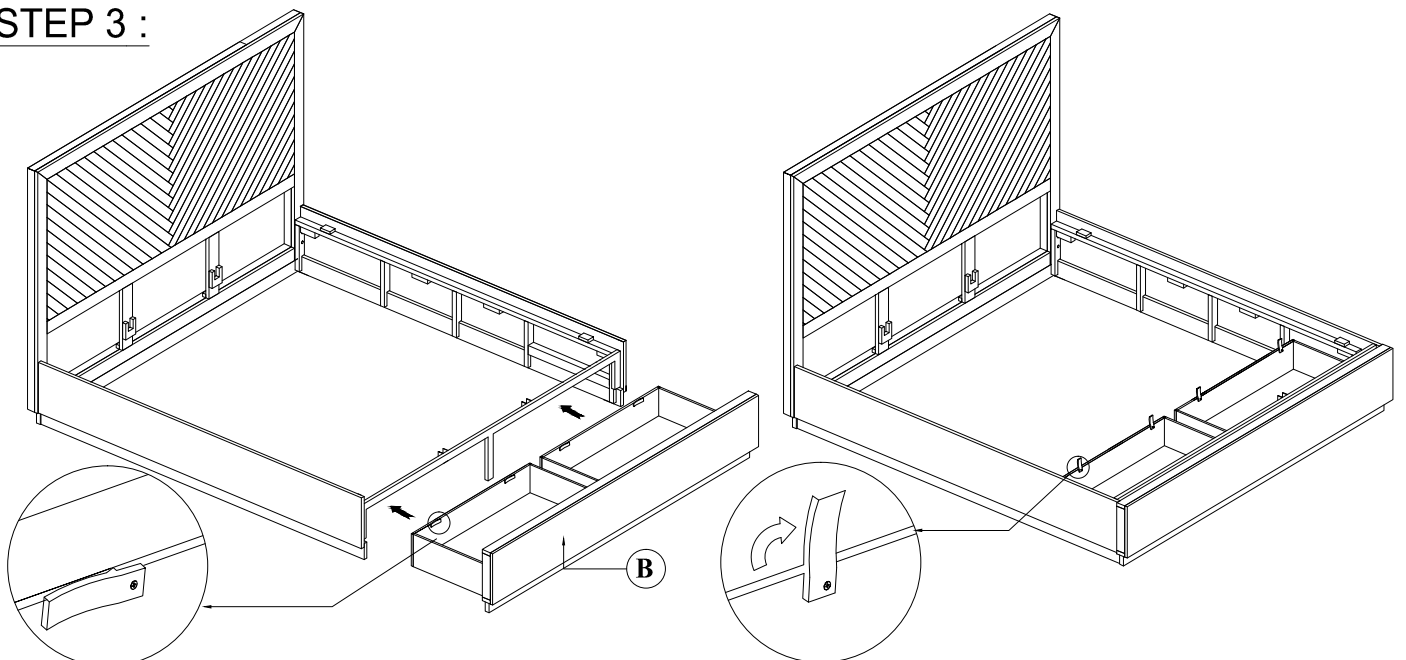
## STEP 1 :



## STEP 2 :



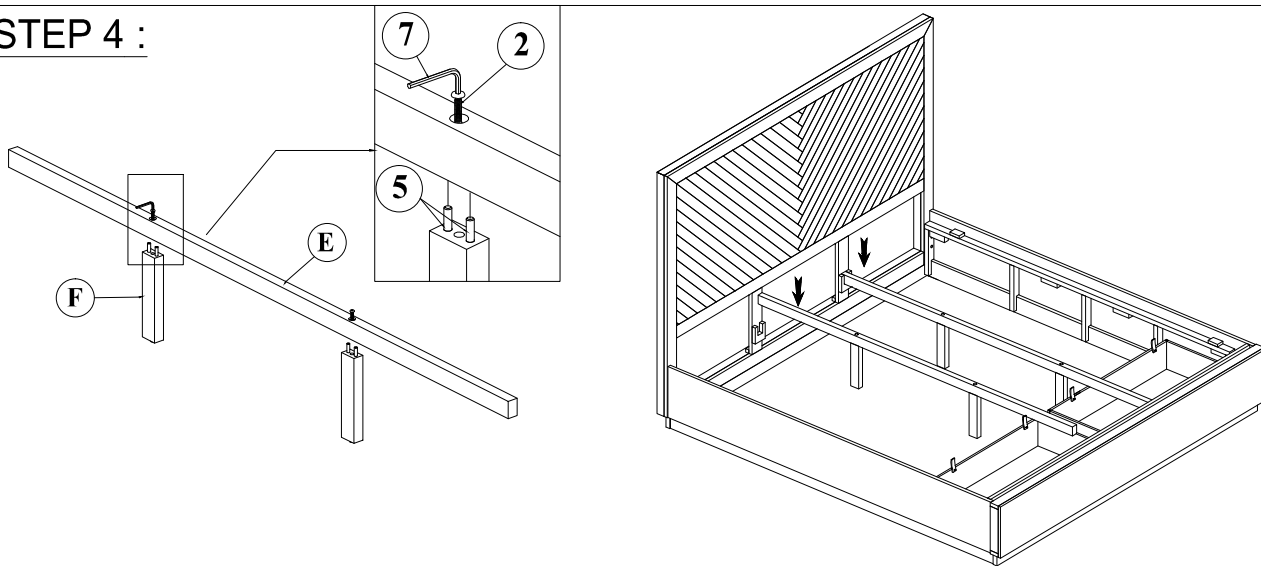
## STEP 3 :



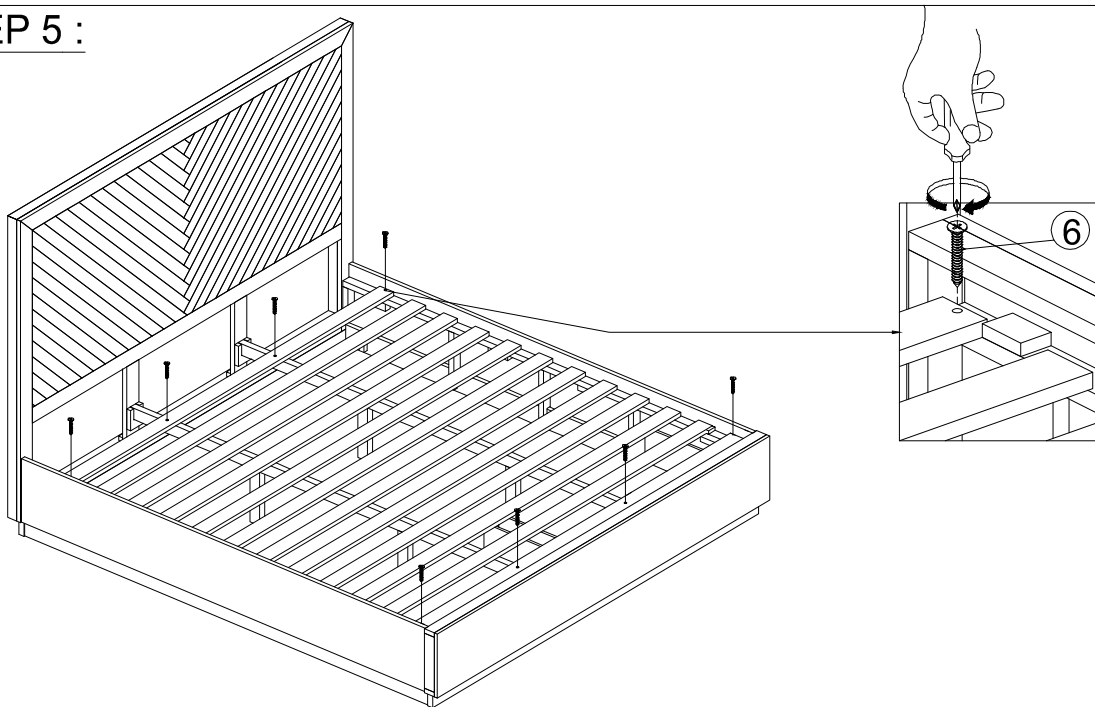
# ALEXANDRA CAL KING/KING STORAGE BED ASSEMBLY INSTRUCTIONS



## STEP 4 :



## STEP 5 :

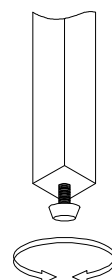


### INSTRUCTIONS FOR ADJUSTING LEVELER:

Position the bed in your space and locate the leveler under each support leg.

Turn the leveler counter-clockwise to extend the leveler and clockwise to retract it.

Adjust each leveler until each support leg is applying equal, upward pressure on the bed support slat.



### MAINTENANCE INSTRUCTION:

- Remove box spring and mattress before moving your bed.
- Lift your bed when moving it. Dragging can damage the leg support.
- Readjust levelers after moving your bed.