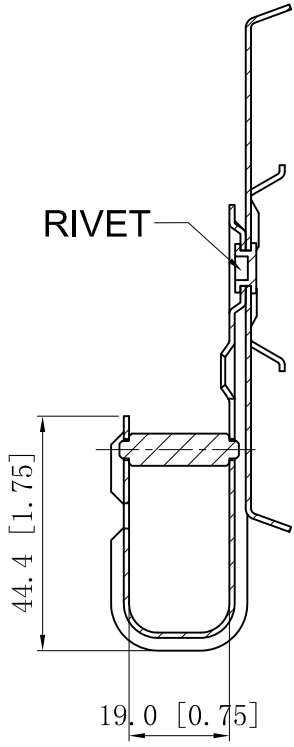
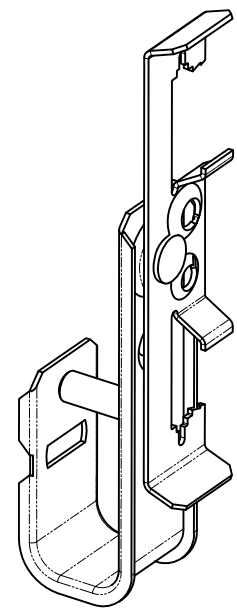
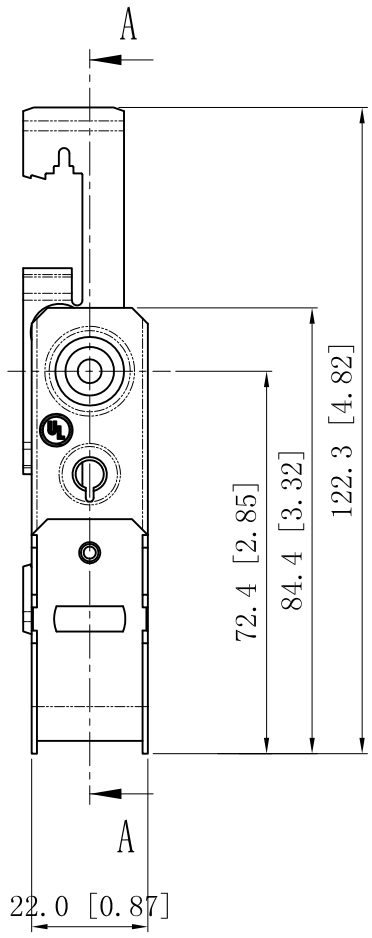


SIDES	BOTTOM
Material: Steel-0.039"-G60 Galvanized	



CUTAWAY VIEW A-A



DESCRIPTION
TRADE REFERENCE TERMS

STANDARD PACKING
50 PCS

This data sheet is for reference only .GARVIN INDUSTRIES reserves the right to make changes to the design without prior notice.		
GARVIN INDUSTRIES		
J-HOOKS WITH QUICK CLIPS		
SIZE	DWG NO.	REV
A4	JHK-12-BW2	B
DATA SHEET		