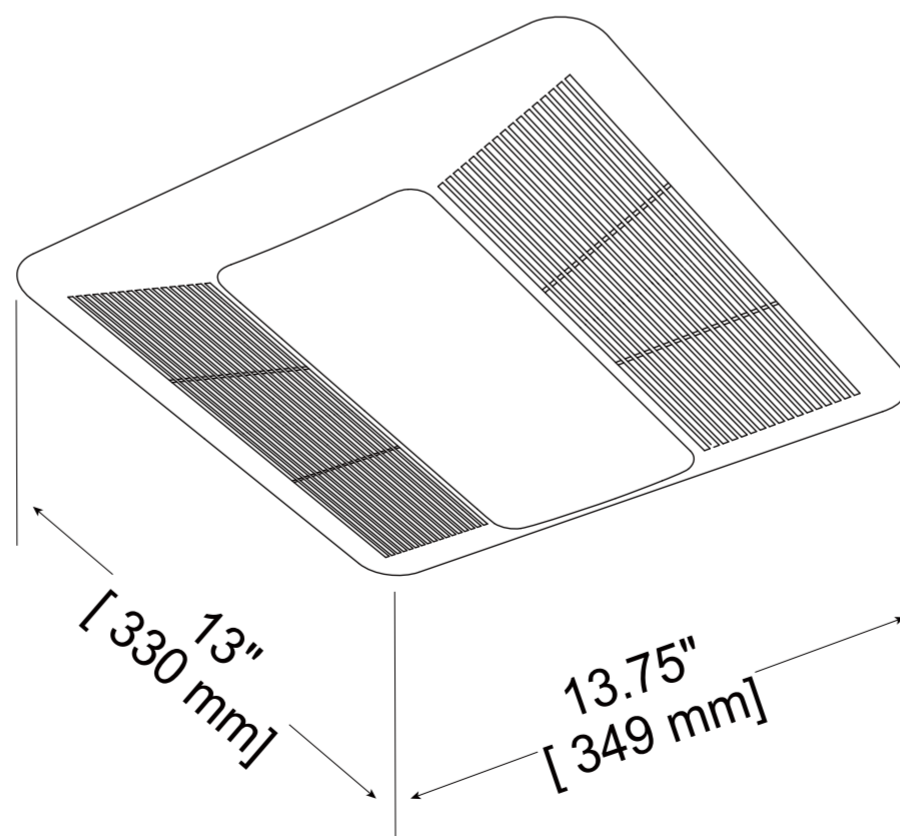
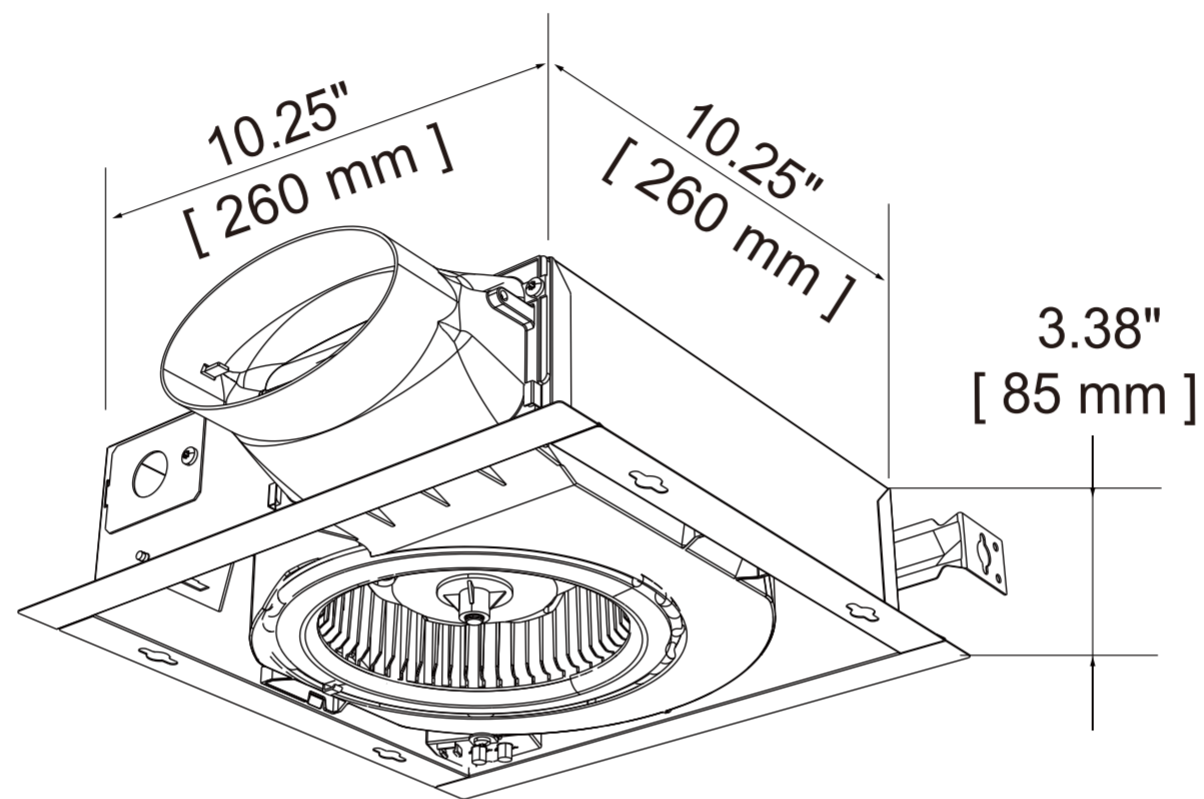




# EF-AZ106WH

## EXHAUST FAN



This fan can be installed to 10.5" - 21" between the joist or to I-joists, standard joists and truss construction.

HAVE QUESTIONS? CALL 305-614-4070 OR VISIT [ANZZI.COM](https://www.anzzi.com)