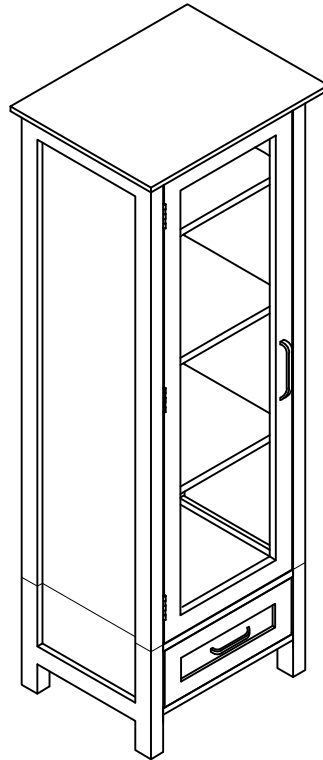


# ASSEMBLY INSTRUCTIONS

## LT 1Dr / 1Dw



Please provide the following information when contacting for parts or questions: the name of the company you purchased from, the UPS/FedEx tracking number.

This product comes with a 1 year warranty. Products purchased second hand/used are not covered under the warranty.

### ASSEMBLY INSTRUCTIONS-IMPORTANT

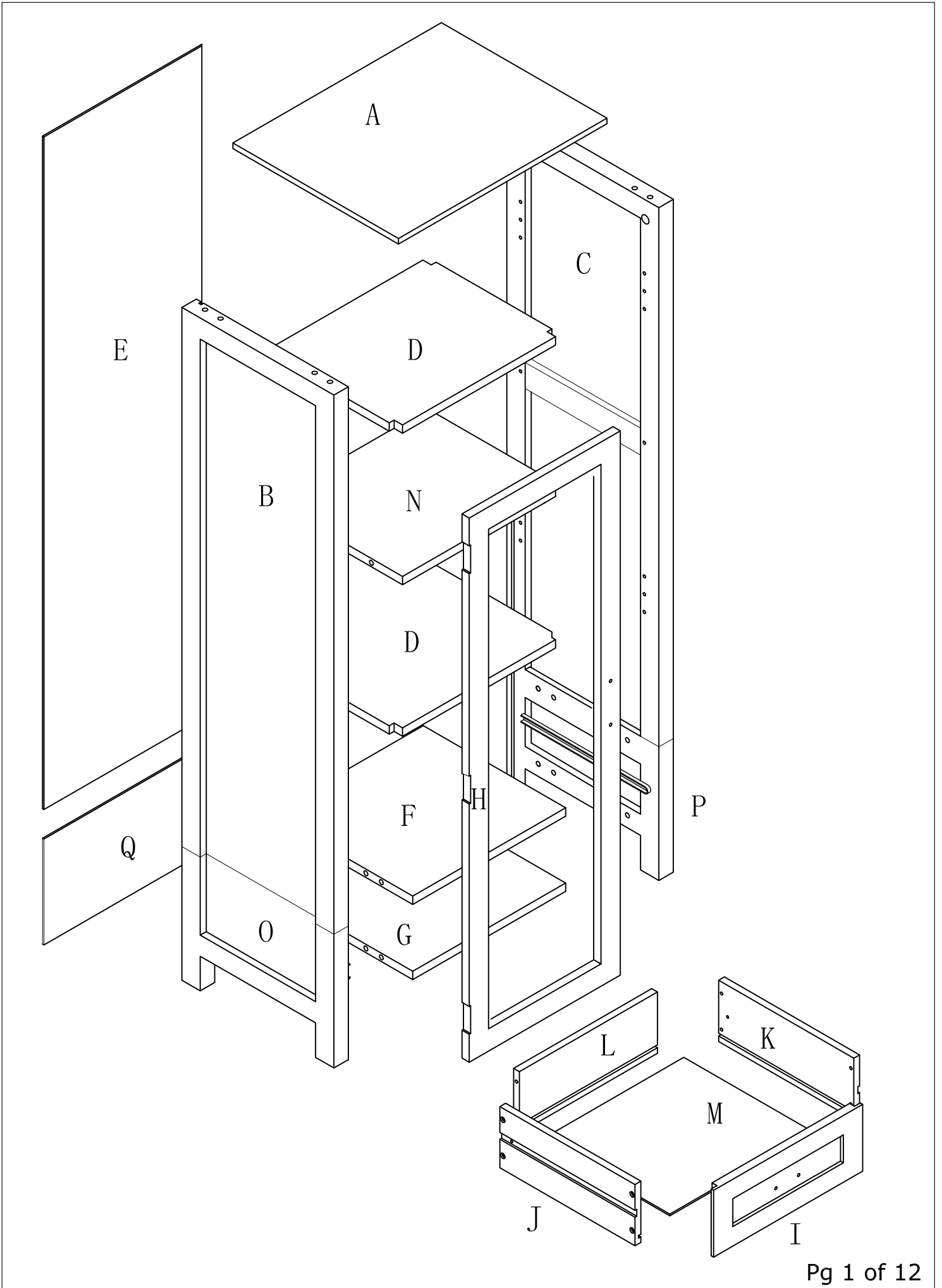
Carefully unpack & identify each component before attempting to assemble. Refer to parts list. Please take care when assembling the unit and always set the parts on a clean, soft surface. If you require any assistance with assembly, parts, please call the company you place order with or please email to: [service@eleganthf.net](mailto:service@eleganthf.net)

### INSTRUCCIONES PARA ARMAR-IMPORANT:

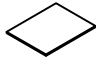






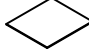
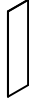
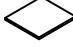
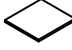
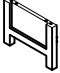
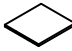
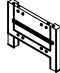

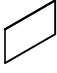

Desempaque cuidadosamente e identifique cada componente antes de tartar de empezar su ensambladura. Verifique la lista de partes. Por favor tenga cuidado cuando arme la unidad y siempre coloque las piezas sobre una superficie plana, suave y limpia. Si necesita ayuda con el armado, envíe un correo electzórico a [service@eleganthf.net](mailto:service@eleganthf.net)

### DIRECTIVES DE MONTAGE-IMPORTANT:


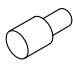
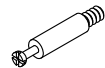

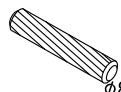









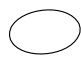

Avant de commencer l' assemblage, déballez délicatement toutes les pièces et repérez-les sur la liste des pièces. Procédez avec soins durant l' assemblage et posez toujours les pièces sur une surface proper, douce et lisse. sie vouo plait e-mail á [service@eleganthf.net](mailto:service@eleganthf.net)



# COMPONENTS

PART	FIGURE	DESCRIPTION	QTY	PART	FIGURE	DESCRIPTION	QTY
A		TOP PANEL	1PC	J		DRAWER LEFT SIDE PANEL	1PC
B		UPPER LEFT SIDE PANEL	1PC	K		DRAWER RIGHT SIDE PANEL	1PC
C		UPPER RIGHT SIDE PANEL	1PC	L		DRAWER BACK PANEL	1PC
D		ADJUSTABLE SHELF	2PCS	M		DRAWER BOTTOM PANEL	1PC
E		UPPER BACK PANEL	1PC	N		UPPER FIX SHELF	1PC
F		BOTTOM FIX SHELF	1PC	O		BOTTOM LEFT SIDE PANEL	1PC
G		BOTTOM PANEL	1PC	P		BOTTOM RIGHT SIDE PANEL	1PC
H		DOOR	1PC	Q		BOTTOM BACK PANEL	1PC
I		DRAWER FACE PANEL	1PC				

# HARDWARE & TOOLS

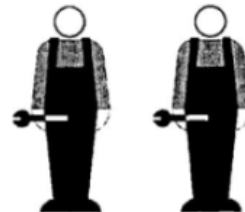
PART	FIGURE	DESCRIPTION	QTY	PART	FIGURE	DESCRIPTION	QTY
1	 ø15*12	BIG CAM LOCK	16PCS	9		SHELF PIN	8PCS
2		CAM BOLT	20PCS	10	 ø3*12 D=7	SCREW	20PCS
3	 ø8*30	WOODEN DOWEL	16PCS	12		FIX BELT	1PC
4	 ø4*25	SCREW	8PCS	13	 ø4*25	SCREW	2PCS
5	 ø3*12	SCREW	6PCS	14		ANCHOR	1PC
6		HANDLE	2 PCS	15		WASHER	2PCS
7		BOLT	4PCS	16		DRAWER STOPPER	2PCS
8		CAM COVER	20PCS	17	 ø15*9	SMALL CAM LOCK	4PCS

## TOOL NEEDED:



**PHILIPS SCREWDRIVER REQUIRED  
- NOT INCLUDED**

## SUGGESTION:



**TWO PEOPLE FOR ASSEMBLING**



## WARNINGS:

1. DO NOT LET ANY SHARP OBJECTS TOUCH OR RUB THE SURFACE OF THE PRODUCT.
2. WHEN ASSEMBLING, DO NOT LET CHILDREN PLAY AROUND THE WORKING AREA.
3. PLEASE CONFIRM ALL PARTS ARE CORRECT BEFORE STARTING THE ASSEMBLY PROCESS.
4. DO NOT TIGHTEN ALL BOLTS AND SCREWS COMPLETELY UNTIL THE ENTIRE UNIT HAS BEEN ASSEMBLED AND SET UP.

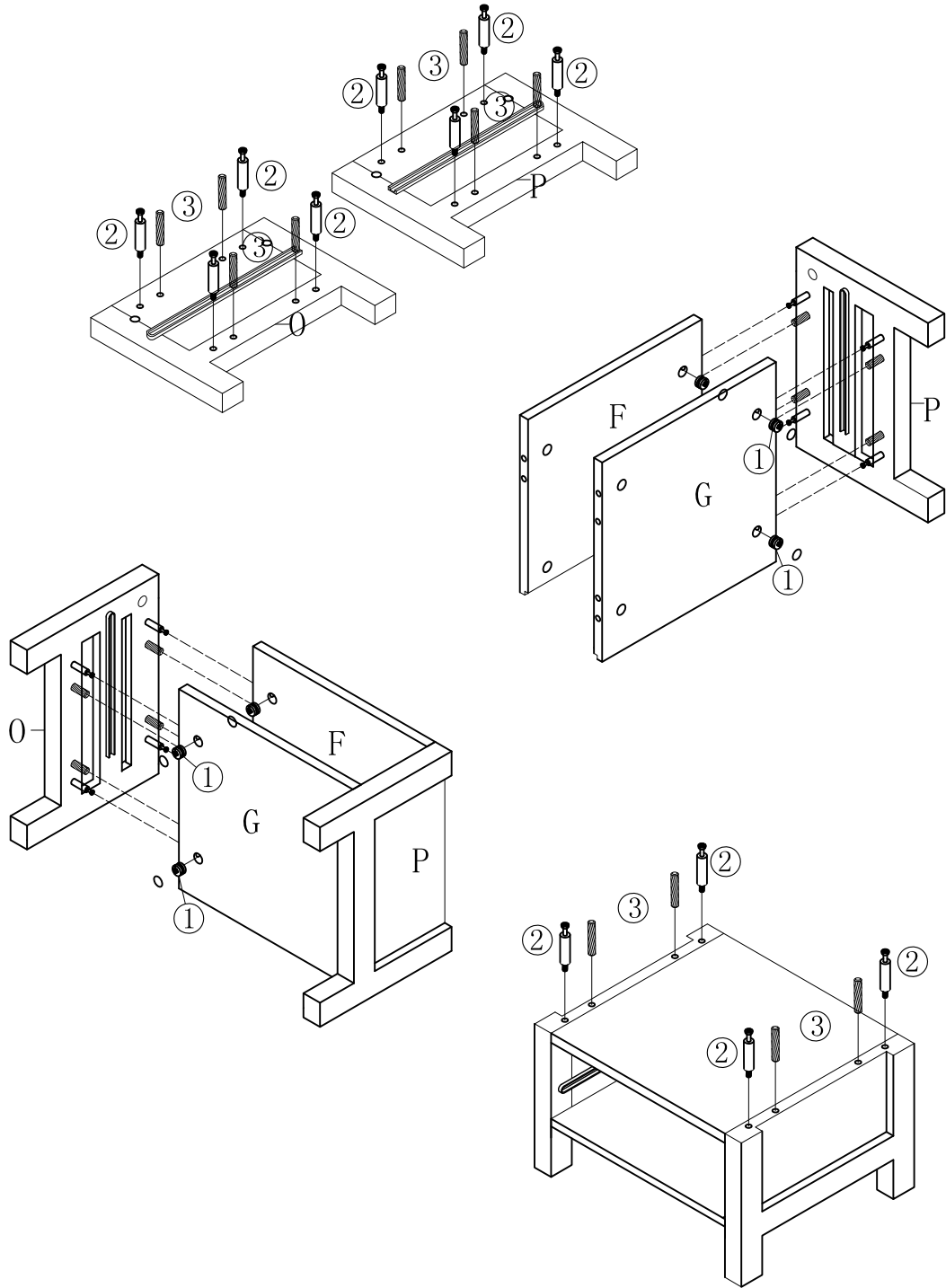
# 1

1  
8 PCS  $\phi 15 \times 12$

2  
12 PCS

3  
12 PCS

8  
8 PCS



## STEP 1:

1. Screw cambolts (2) and insert dowels (3) in panels O & P.
2. Attach panels F & G to panel P and secure with camlocks (1).
3. Attach panel O to panels F & G and secure with camlocks (1).
4. Screw cambolts (2) and insert dowels (3) to the tops of panels O & P.

# 2

17



Ø15\*9

4 PCS

2

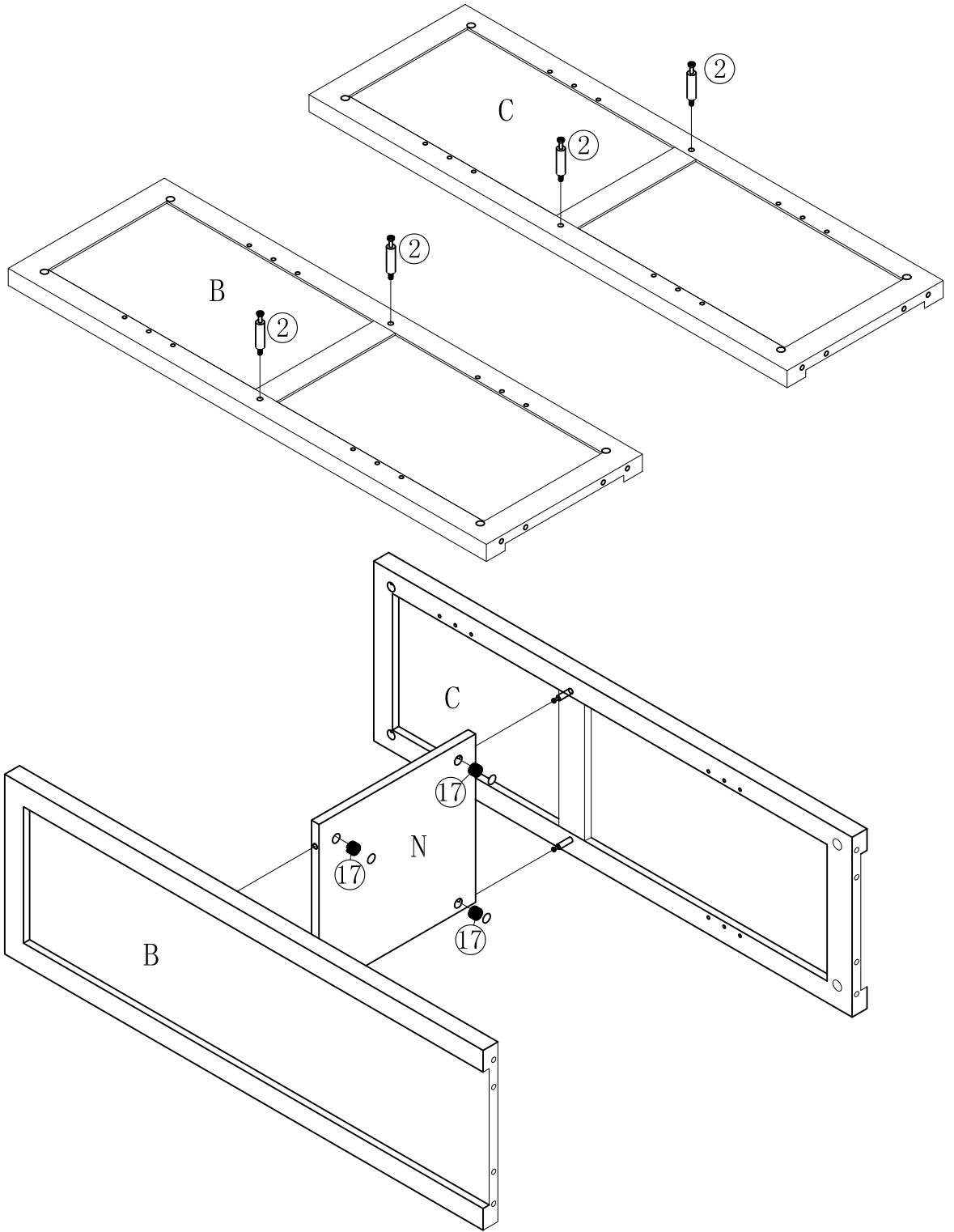


4 PCS

8



4 PCS



## STEP 2:

1. Screw cambolts (2) in panels B & C.
2. Attach panel N to panels B & C and secure with camlocks (17).

# 3

1

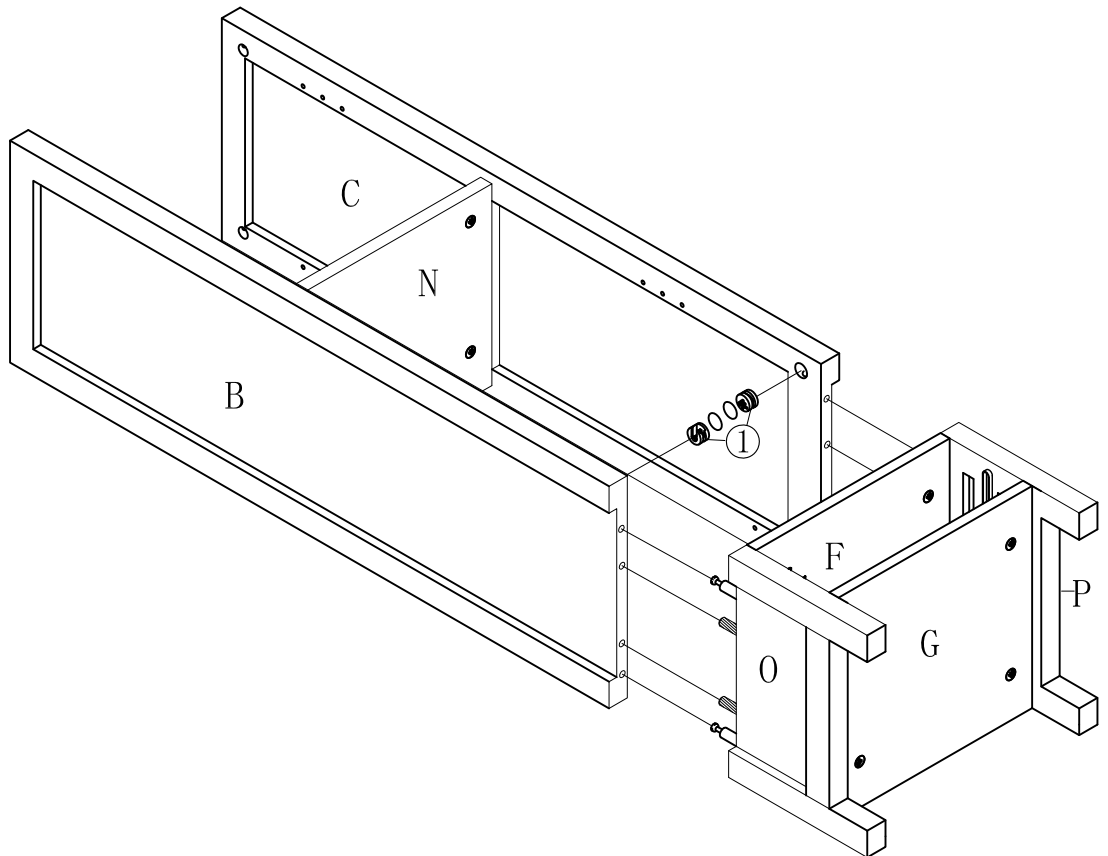


4 PCS  $\phi 15*12$

8





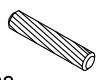
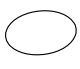
4 PCS

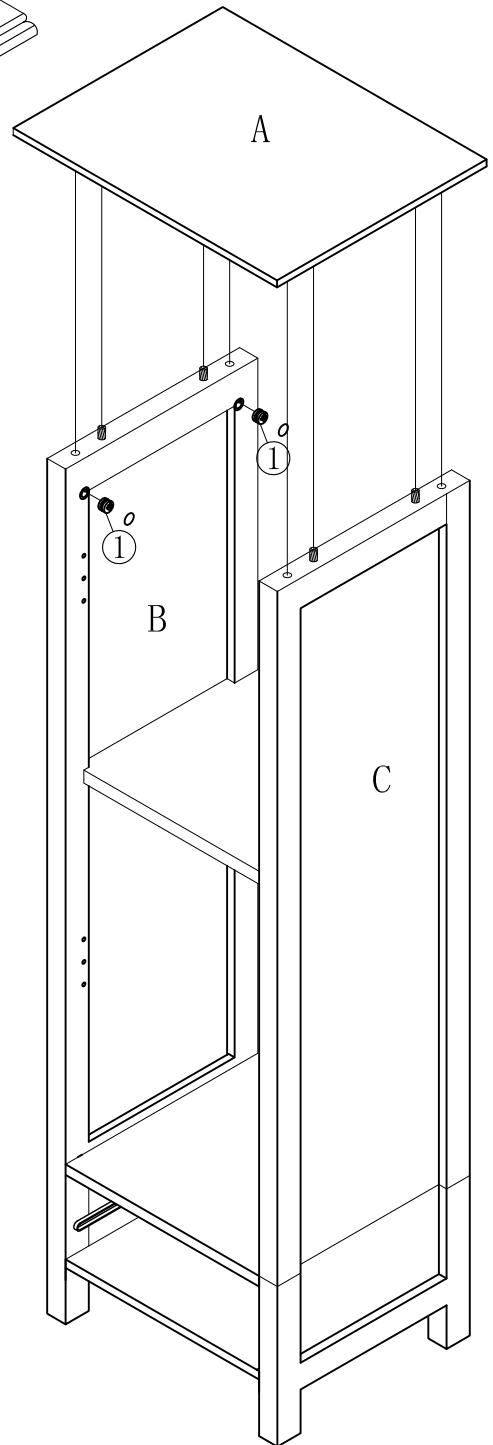
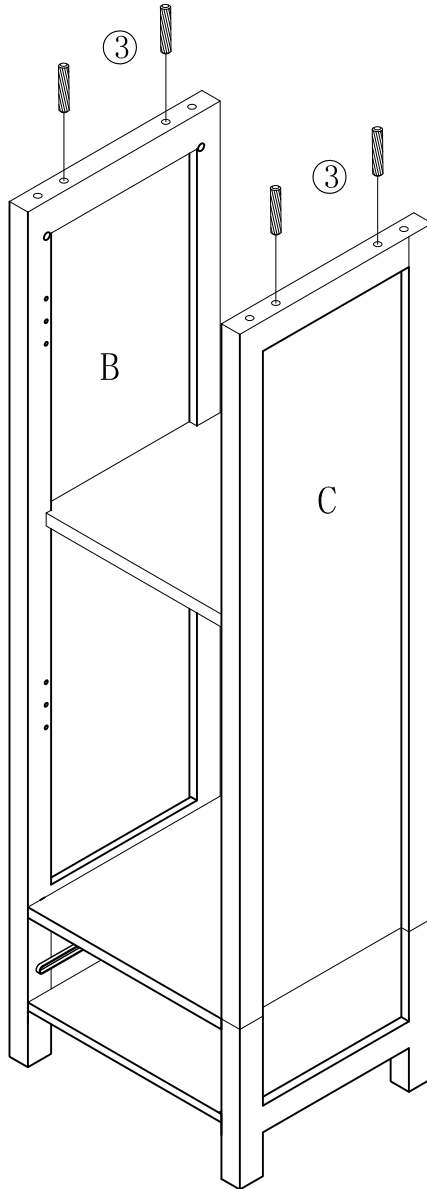
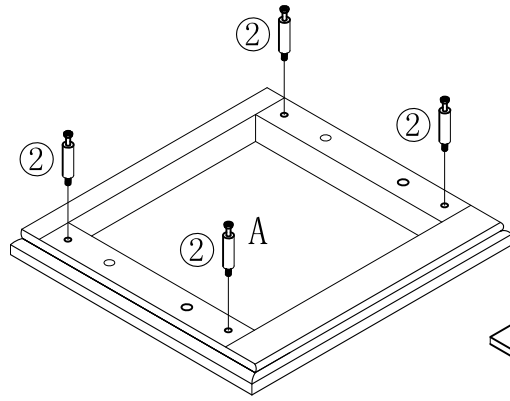


## STEP 3:

1. Connect the two halves of the towers and secure with camlocks (1).

# 4

- 1  4 PCS  $\varnothing 15 \times 12$
- 2  4 PCS
- 3  4 PCS
- 8  4 PCS



## STEP 4:

1. Screw cambolts (2) in panel A.
2. Insert dowels (3) to the tops of panels B & C.
3. Attach panel A to panels B & C and secure with camlocks (1)

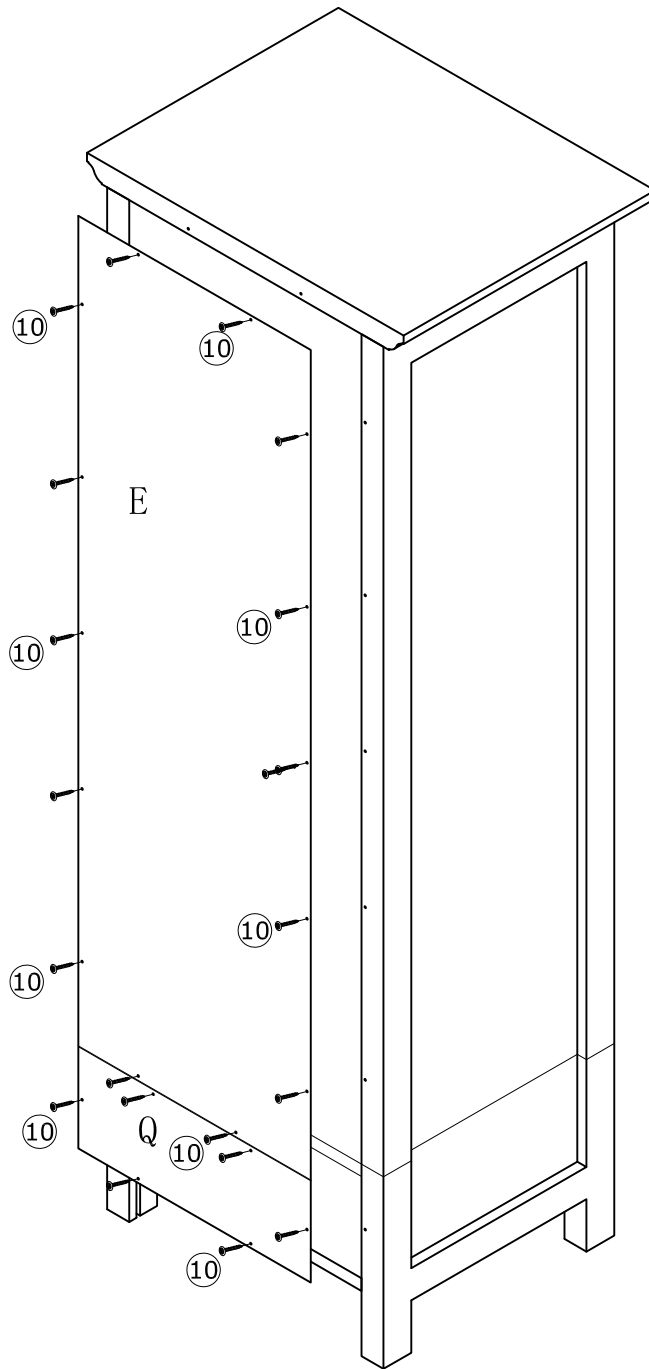


# 5

13



20 PCS  $\phi 3 \times 12$  D=7

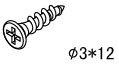


## STEP 5:

1. Attach panels E & Q to the back of the cabinet with screws (10).

# 6

5



6 PCS

6

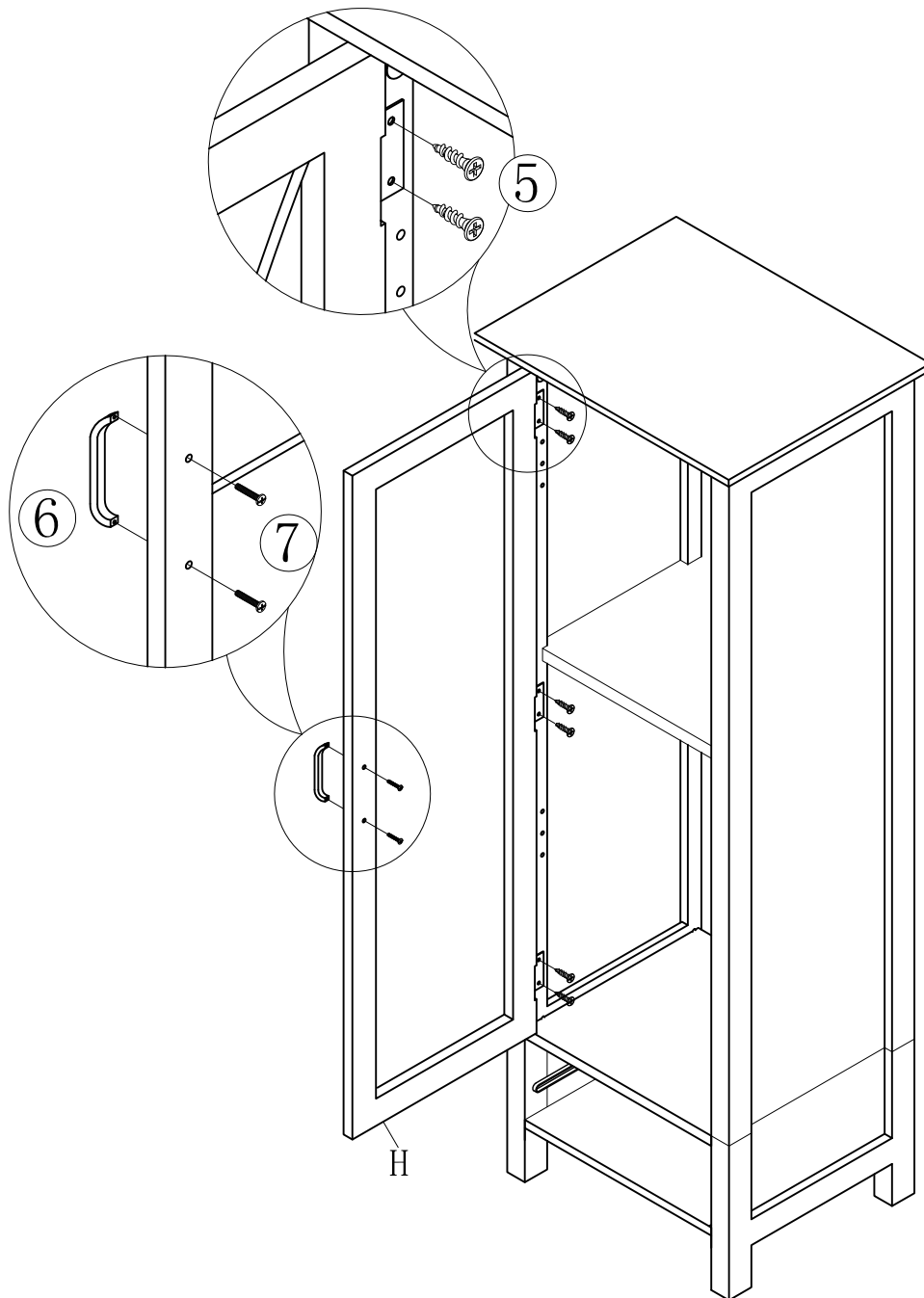


1 PCS

7



2 PCS

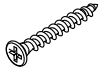


## STEP 6:

1. Attach door H to the cabinet with screws (5).
2. Attach handle (6) to door H with bolts (7).

# 7

4



8 PCS  $\phi 4 \times 25$

6

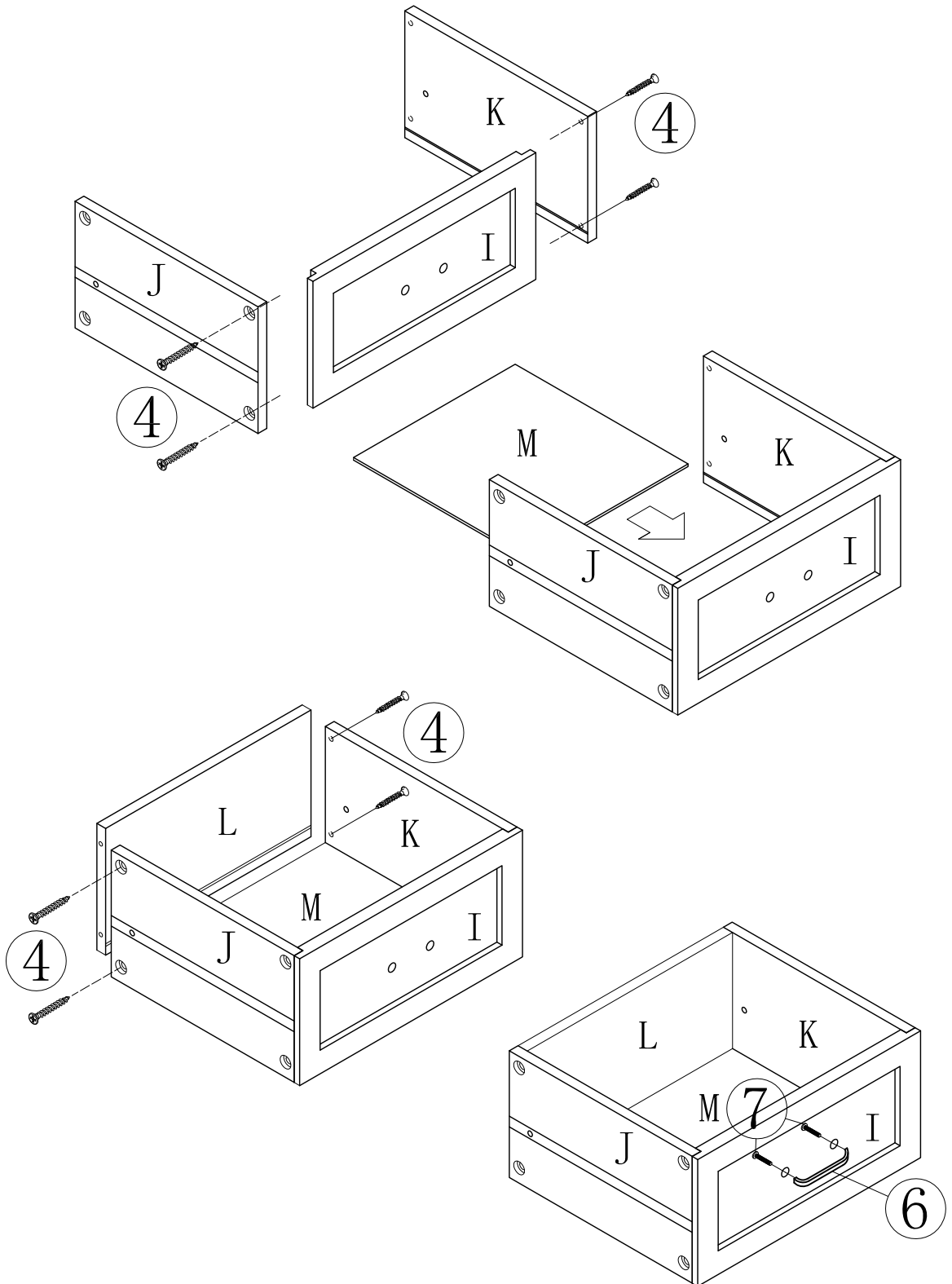


1 PCS

7



2 PCS



## STEP 7:

1. Attach panels J & K to panel I and secure with screws (4).
2. Slide panel M into the panels J, K, & I as indicated.
3. Attach panel L to panels J, K, & M and secure with screws (4).
4. Attach handle (6) to panel I with bolts (7).

# 8

16

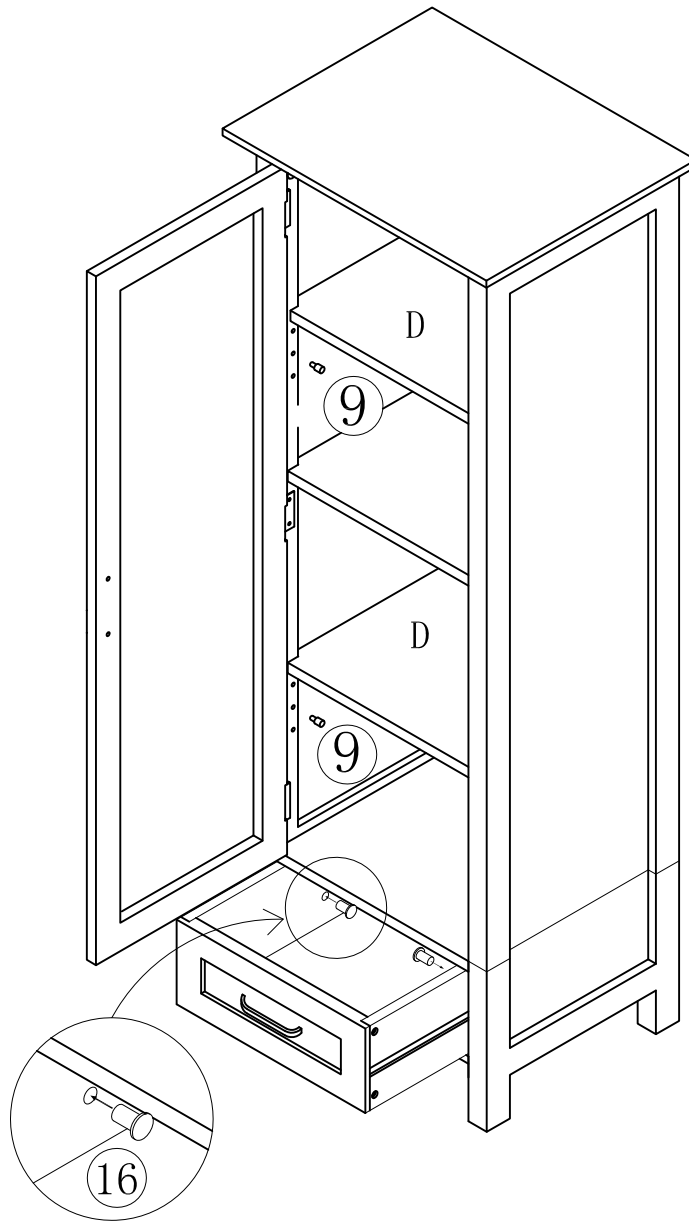


2 PCS

9



8 PCS



## STEP 8:

1. Insert drawer into the cabinet and insert the drawer stops (16) as indicated.
2. Insert shelf pins (9) into panels B & C.
3. Rest shelves D on the shelf pins.

# 9

12  
1 PC

13  
2 PCS  $\phi 4 \times 25$

14  
1 PC

15  
2 PCS

